

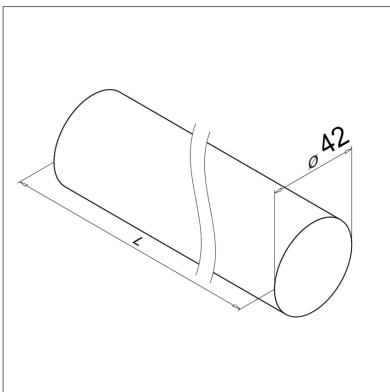
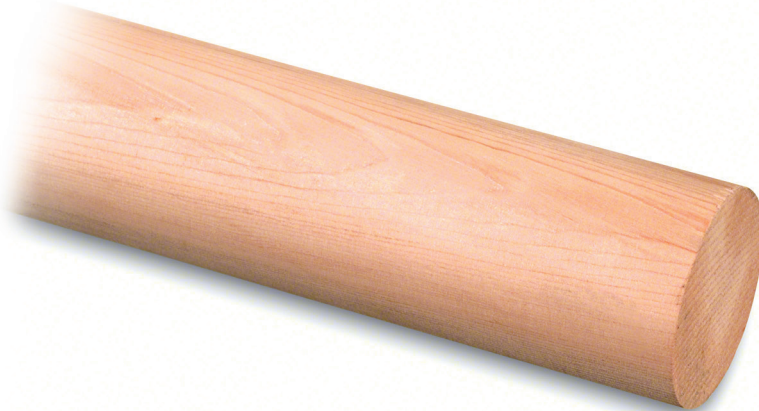
## Untreated Cedar Hardwood Handrail

**20.8925.042.45**

The natural finish cedar hardwood handrail is supplied unfinished, in its raw and untreated state. This allows you to choose your own stain, oil or varnish before use.

### Hardwood Handrail Range

Our range of hardwood handrails offers a wide array of timbers and a variety of finishes. All options are produced from environmentally friendly FSC certified sources. Supplied at any length up to 2.5 metres.



### Product Information

Wood Type: Untreated Cedar

Diameter: 42.4mm

Length: Up to 2.5 metres

Tube Diameter: 42.4mm

Unfinished

Please note that wood is a natural product and colours can vary, especially with cedar.

### Key Features



Manufactured from natural unfinished cedar. Must be stained, oiled or varnished before use.



To suit our 42.4mm diameter balustrade fittings.



Available in any cut length upto 2.5 metres.



Naturally produced from environmentally-friendly FSC certified wood.

### Care Instructions

You can use an oil based finish on your hardwood handrail to help achieve long lasting perfection.

Untreated wood should be allowed a breathing period of around ten days to allow the grain to open up before finishing.

Once installed the finish should be maintained when necessary, generally every 18 months to 2 years for an outdoor handrail.

### Design

You can send us your drawings, technical drawings or even a freehand sketch.

From this we'll produce an accurate quotation for you. This service is completely free with no hassle or obligation.

Give us a call for any advice Monday to Friday 9.00am to 5.00pm

Contact us

Email: [info@s3i.co.uk](mailto:info@s3i.co.uk)

Telephone: **01302 752 504**

Fax: **01302 752 410**