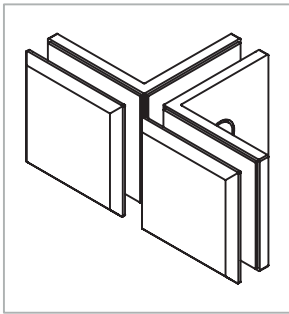
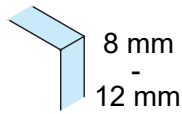


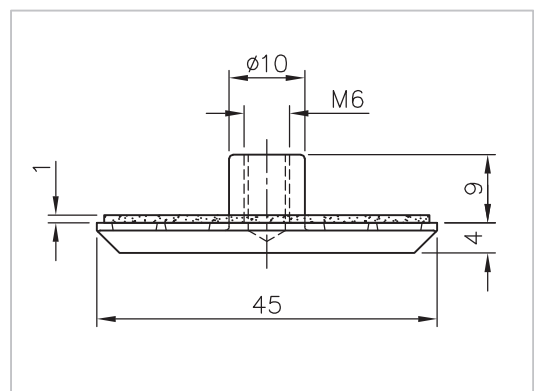
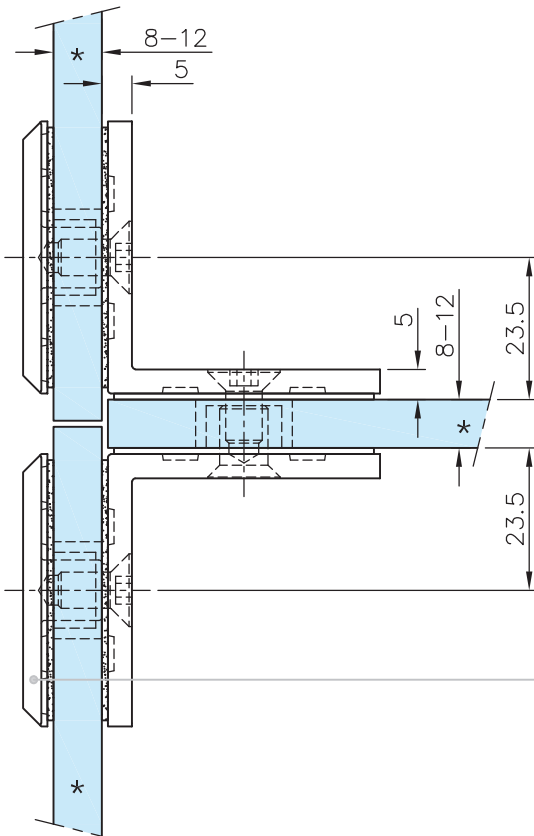
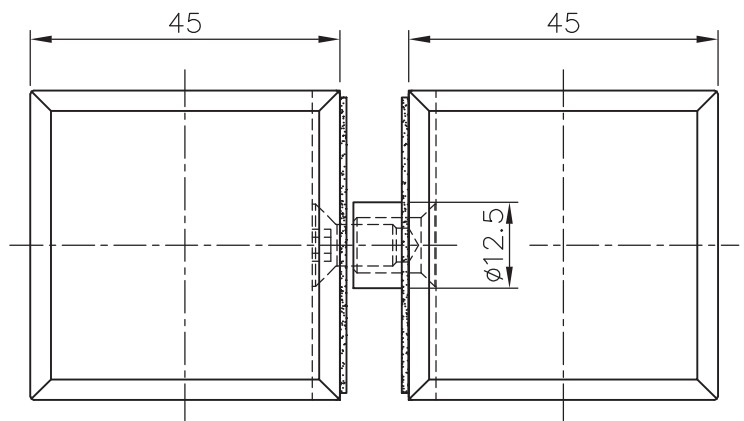
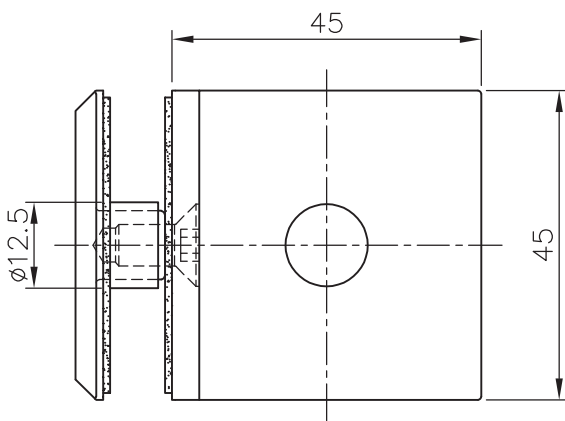
Square 3 Way Glass Mount Clamp for Glass Walls & Shower Cubicles



Options:

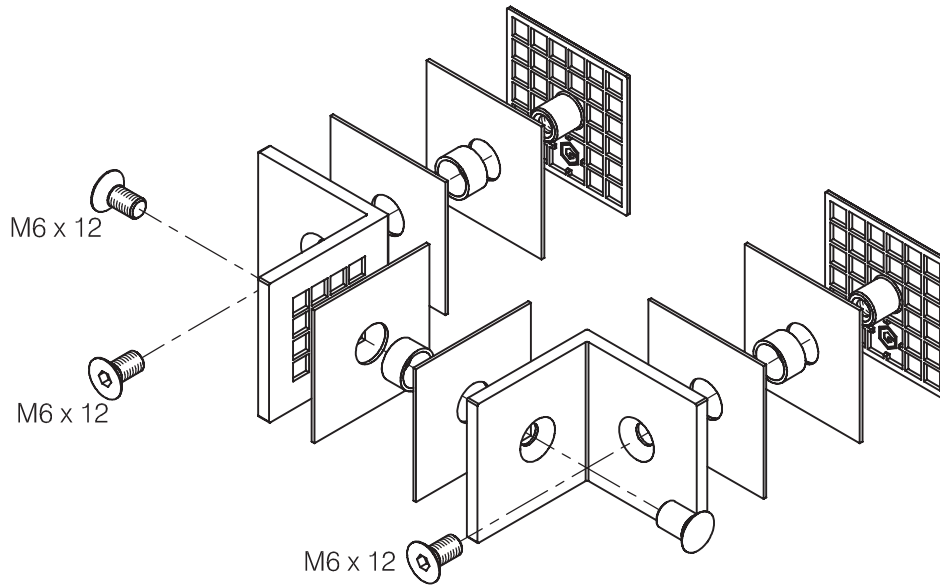


Material:	Stainless steel AISI 304		Weight: 0,365 kg
Finish:	Stainless steel design 40.4013.090.12	Chrome design 40.4013.090.10	Anthracite design 40.4013.090.26

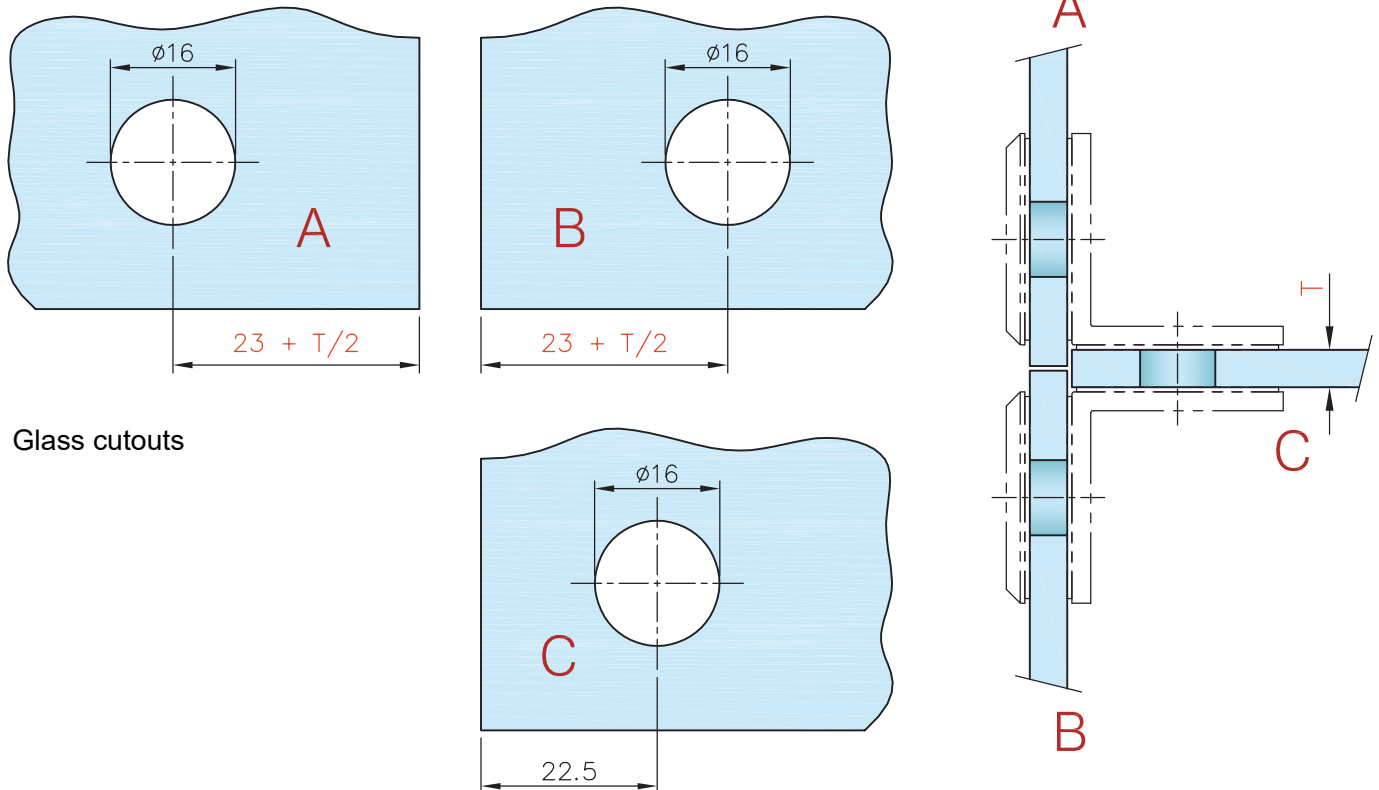


* drawing shows 8mm glass

Square 3 Way Glass Mount Clamp for Glass Walls & Shower Cubicles



Glass preparation:



Glass cutouts