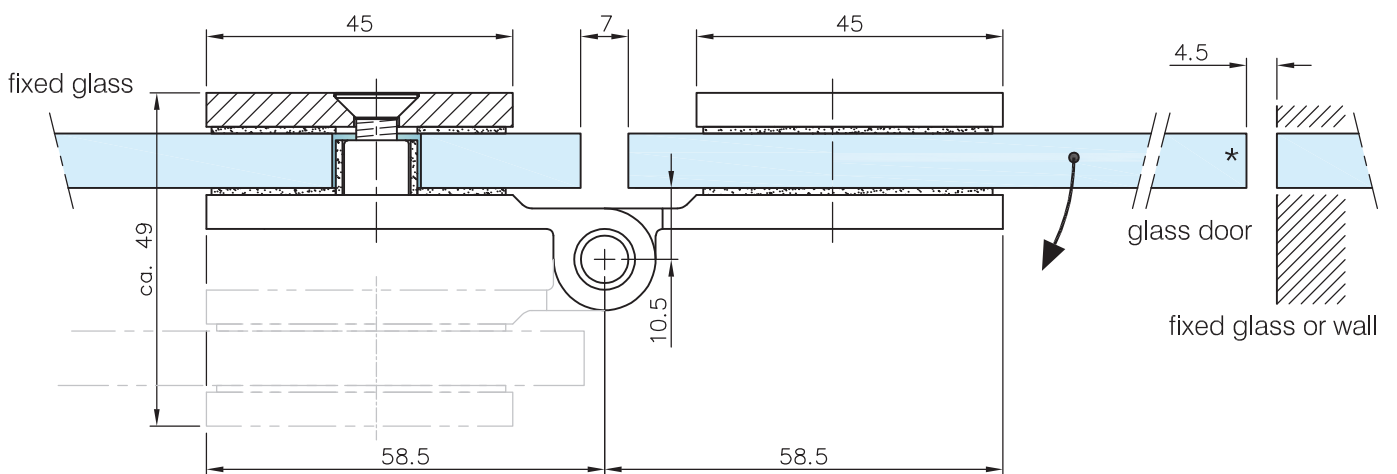
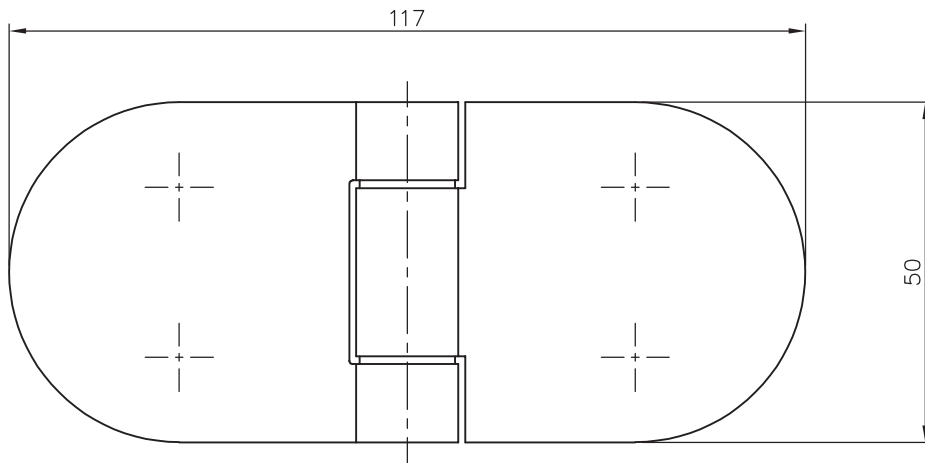
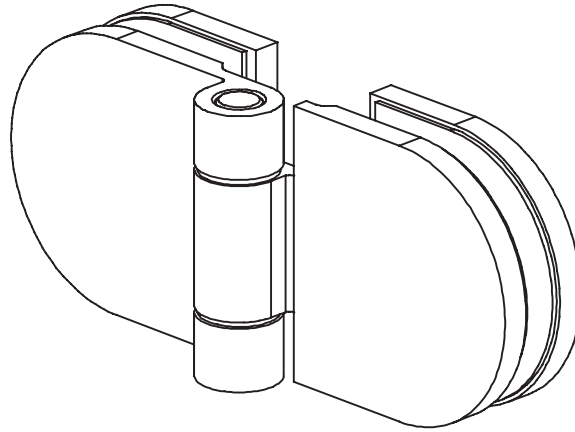


Glass Door Hinge - Glass/Glass Fixing - D Shaped Profile

41.0201.000.12

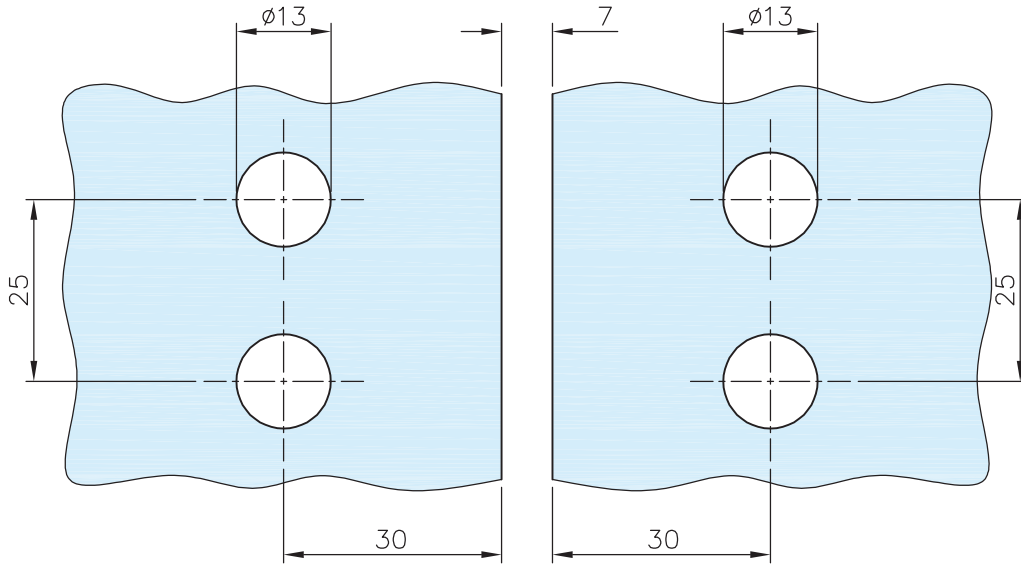


* drawing shows 8mm glass

Glass Door Hinge - Glass/Glass Fixing - D Shaped Profile

41.0201.000.12

Glass Cutout



Max load weights and door width

