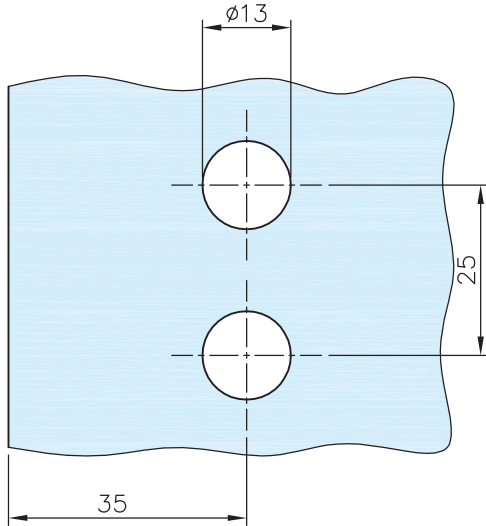




**Glass Door Hinge - Glass/Wall Fixing - D Shaped Profile**

**41.0202.000.12**



glass cutout

