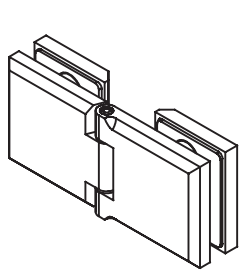

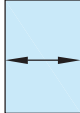





Glass Door Hinge - Glass/Glass Fixing - Square Profile



Options:  6mm - 10mm  900mm max  45 kg max.  DIN left + DIN right 

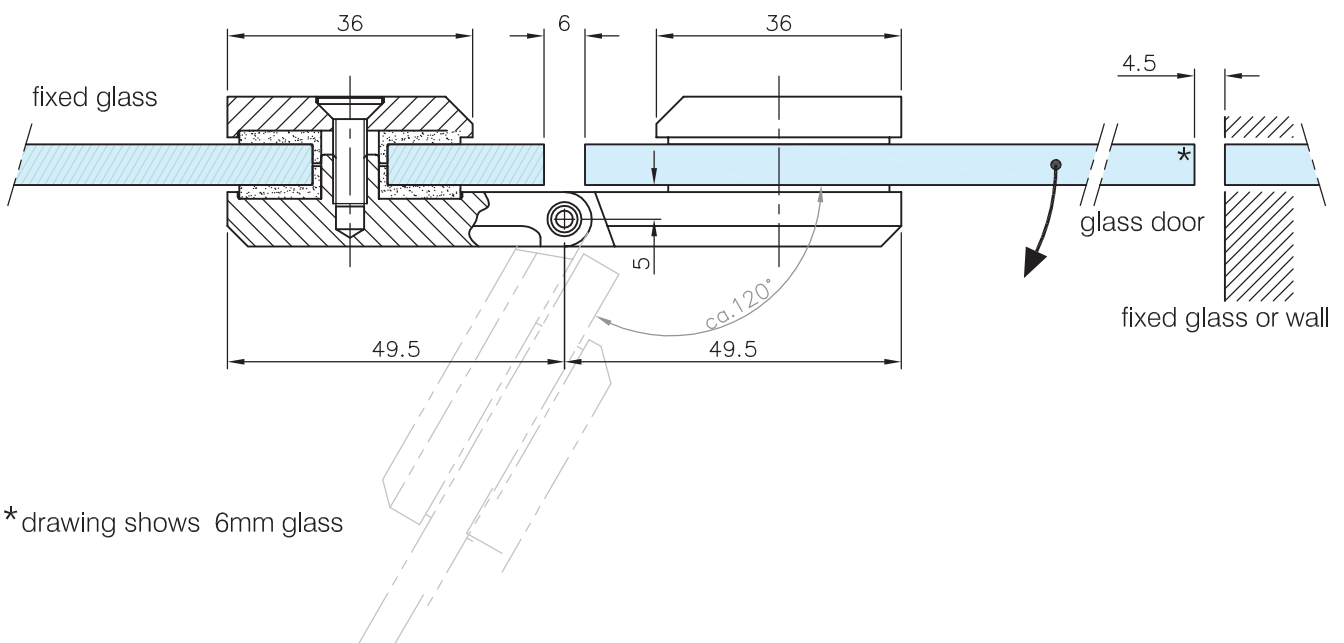
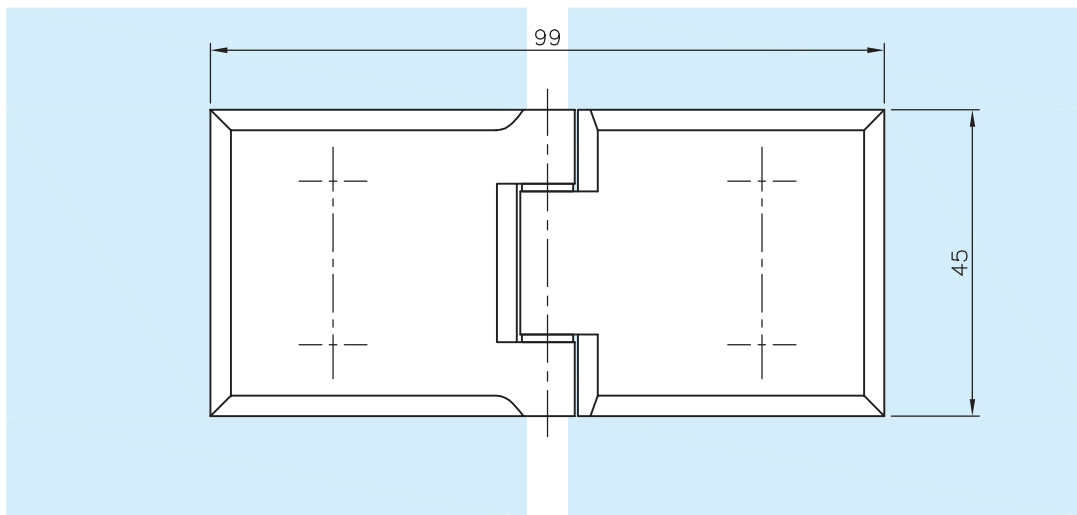
Material: Stainless steel AISI 304

Weight: 0,411 kg

Finish: Stainless steel design
41.0305.000.12

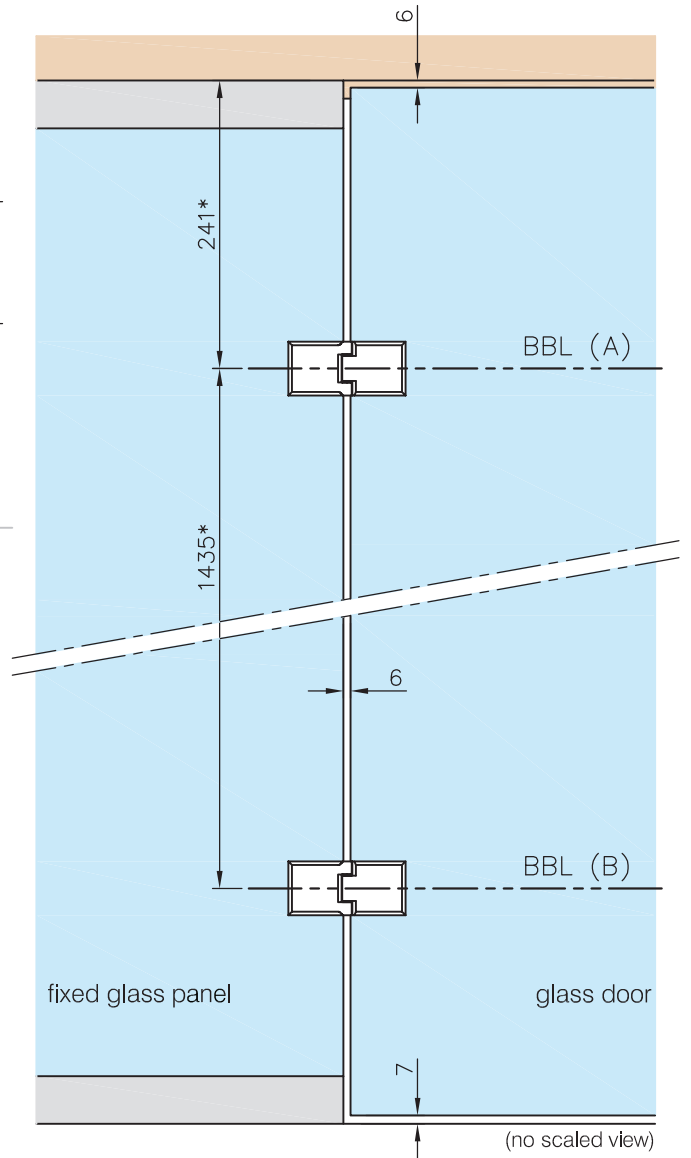
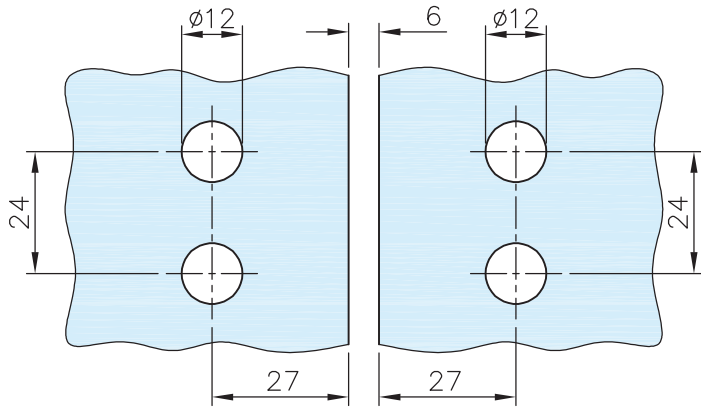
Anthracite black design
41.0305.000.26

Chrome design
41.0305.000.10



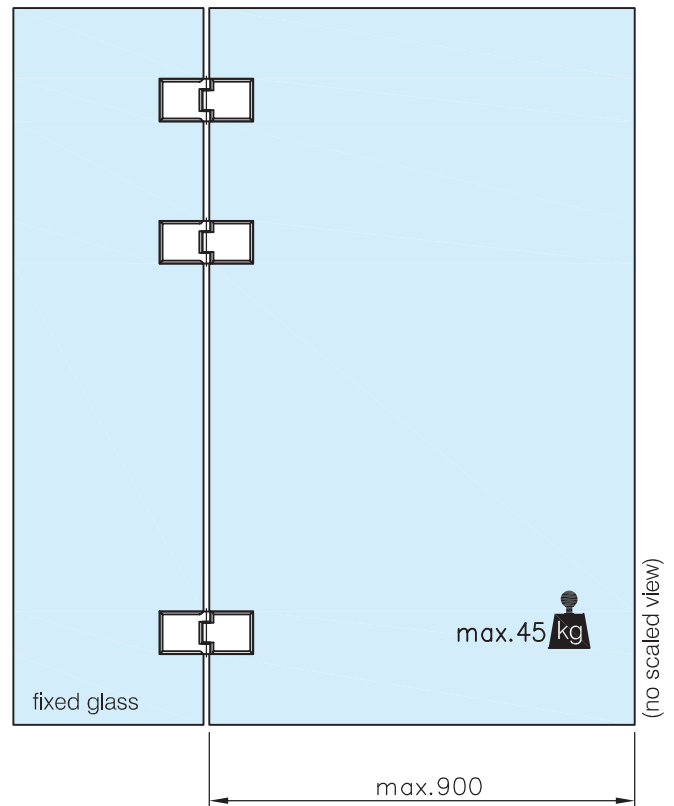
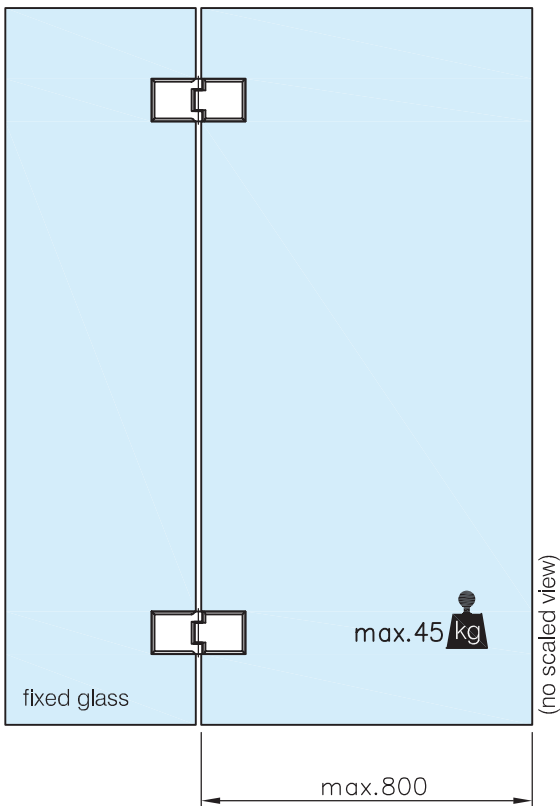
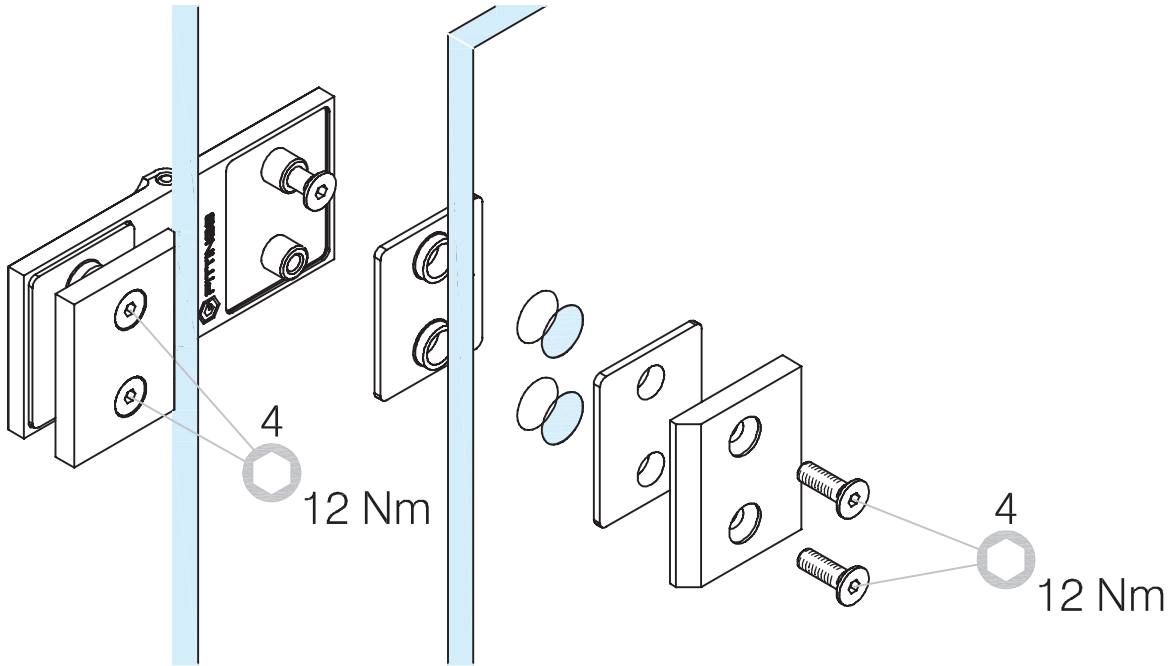
Glass Door Hinge - Glass/Glass Fixing - Square Profile

Glass preparation:



Recommended dimensions according to *DIN 18268		
<i>Glass door height</i>	<i>distance frame rebate - BBL(A)</i>	<i>distance BBL(A) - BBL(B)</i>
1860 mm - 2110 mm	241 +1 mm	1435 mm ±0,5 mm
2111 mm - 2235 mm	241 +1 mm	1560 mm ±0,5 mm
2236 mm - 2360 mm	241 +1 mm	1685 mm ±0,5 mm

Glass Door Hinge - Glass/Glass Fixing - Square Profile



max. load weights and door width