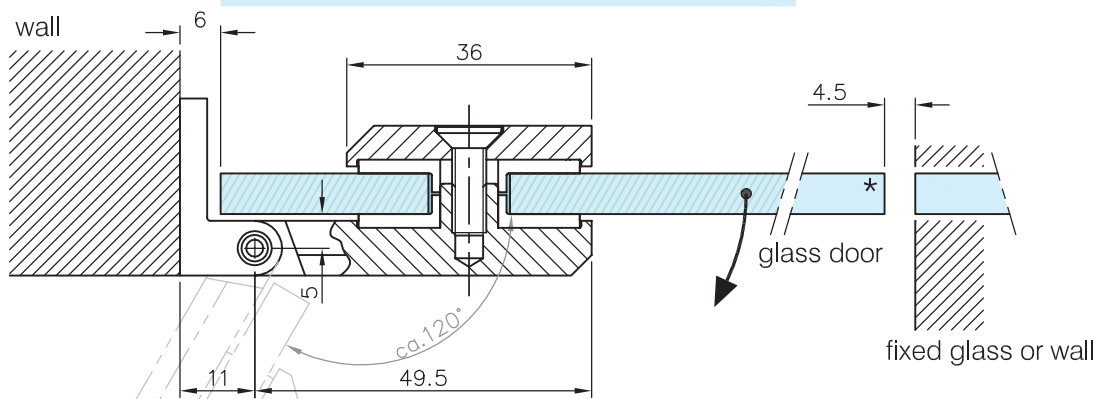
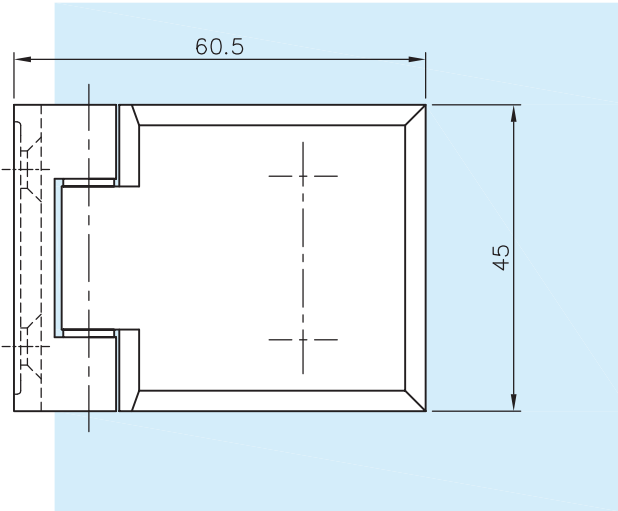
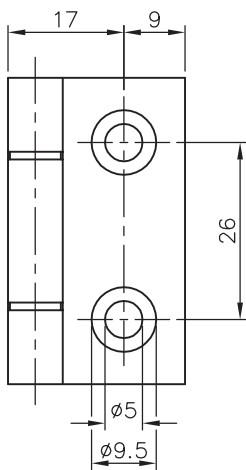
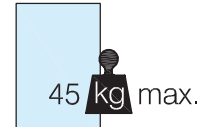
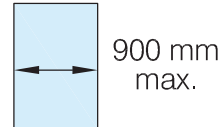
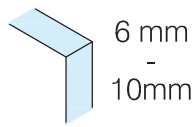
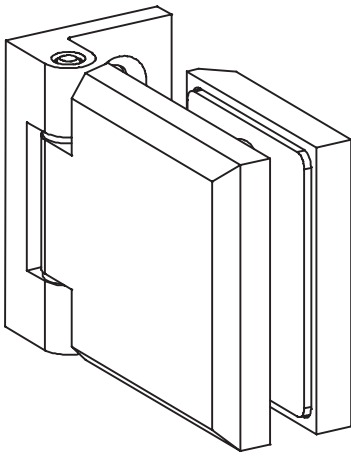


Glass Door Hinge - Glass/Wall Fixing - Square Profile

41.0306.000.12

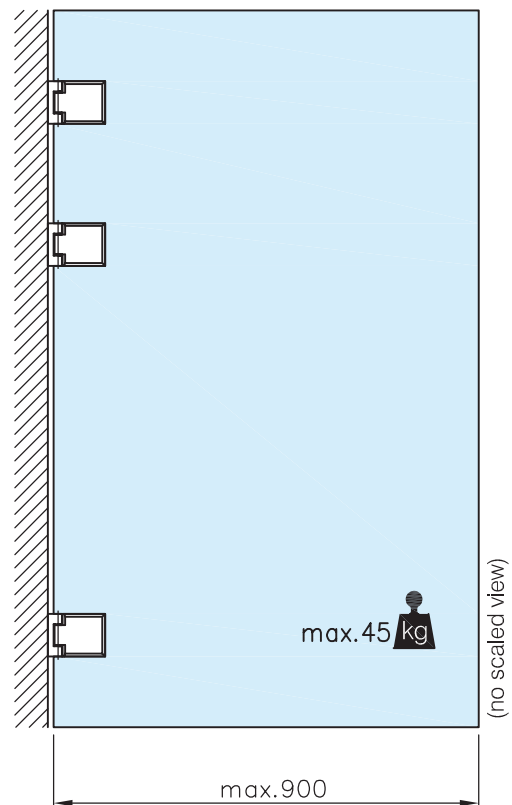
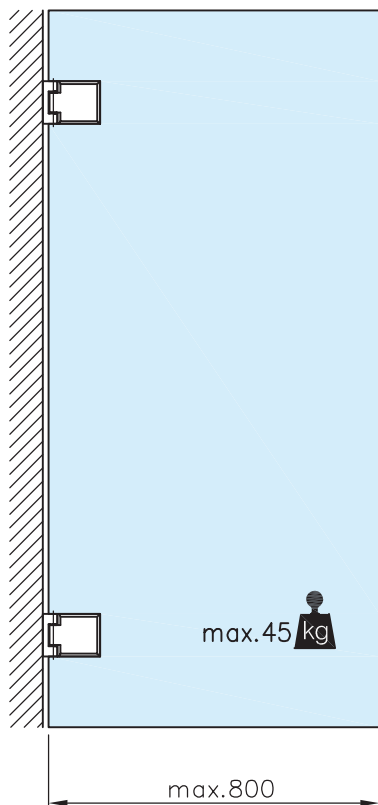
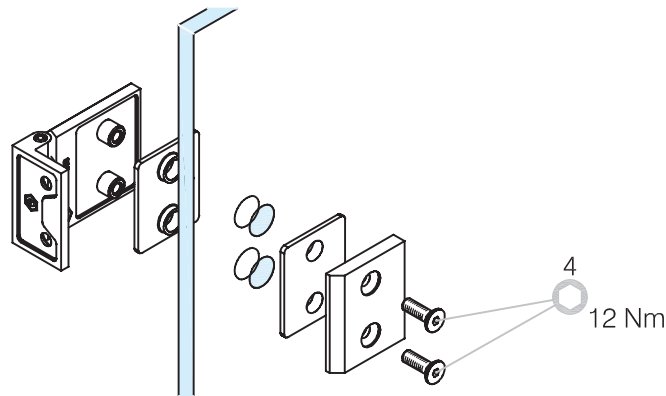
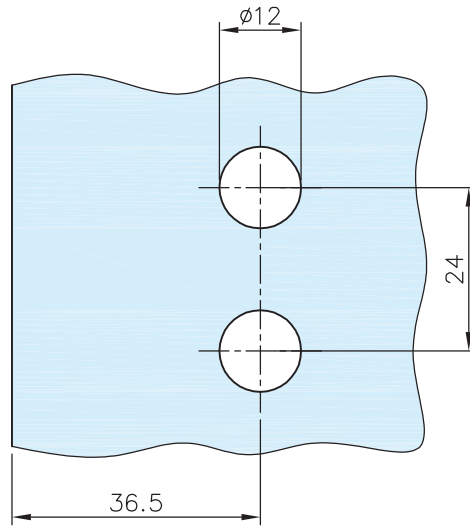


*drawing shows 6mm glass

Glass Door Hinge - Glass/Wall Fixing - Square Profile

41.0306.000.12

glass cutout



max. load weights and door width