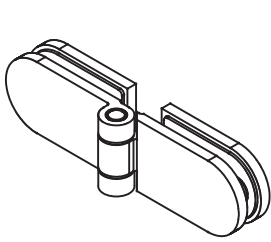






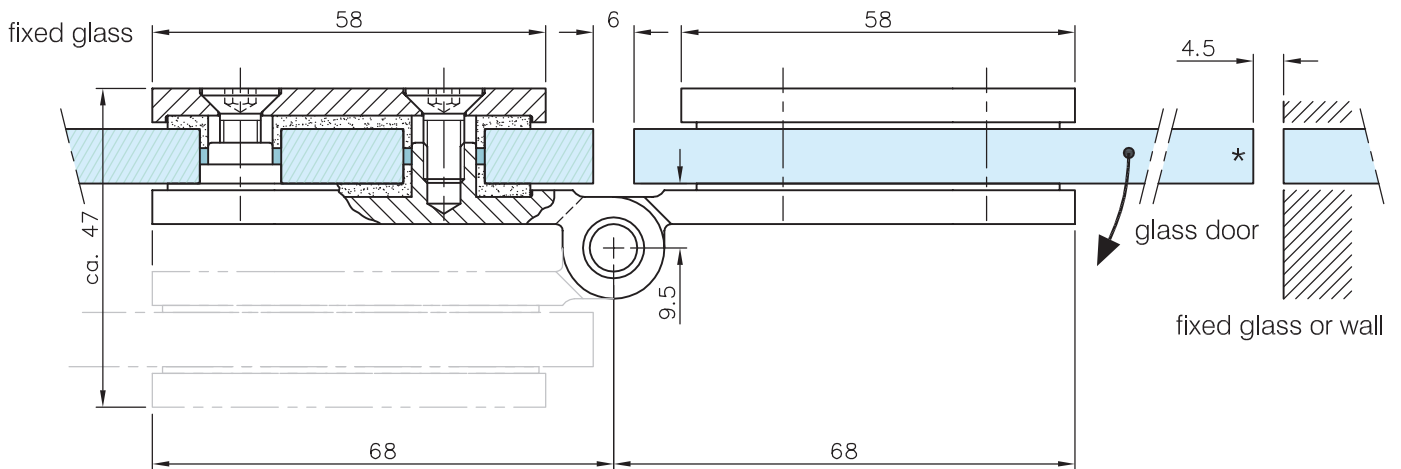
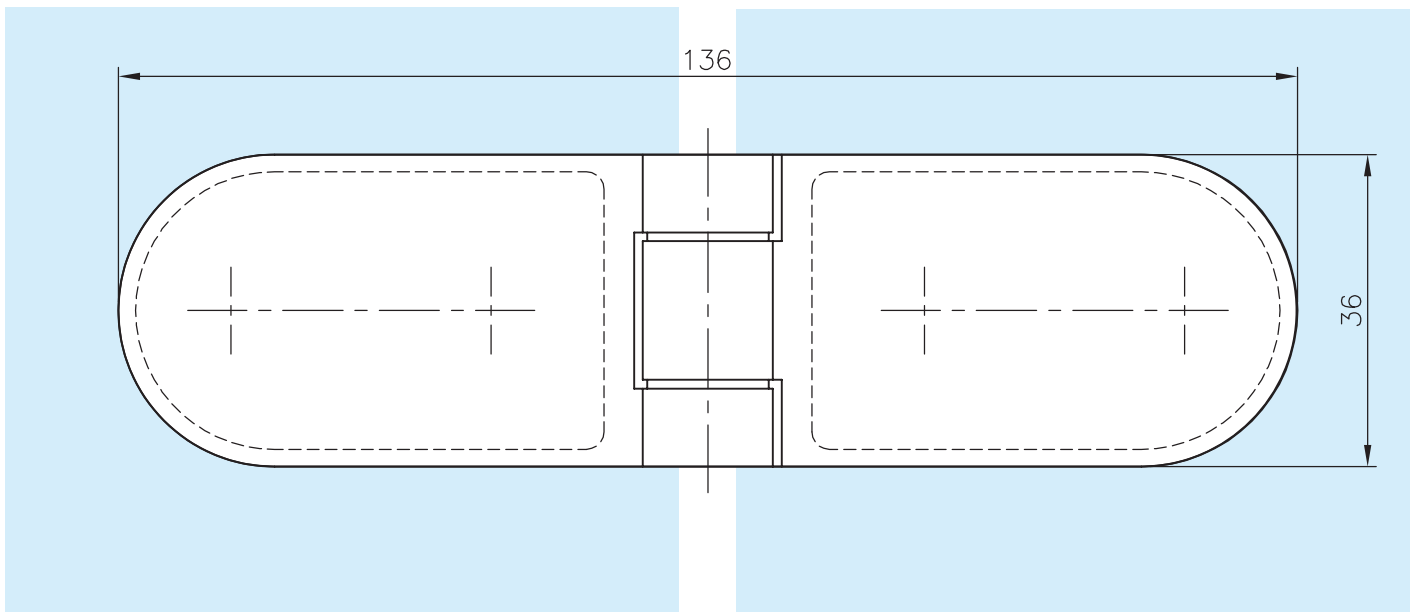
Glass to Glass Door Hinge - Long D Shaped



Options:

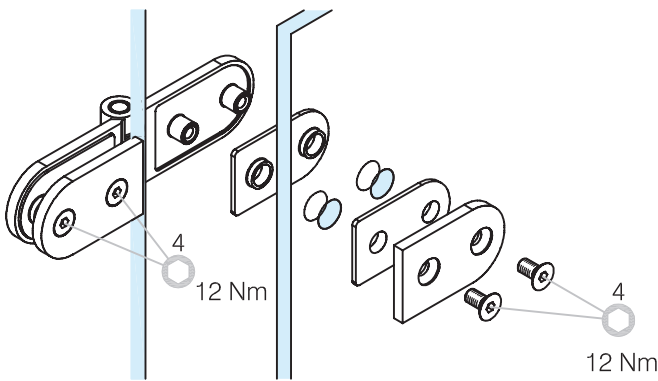
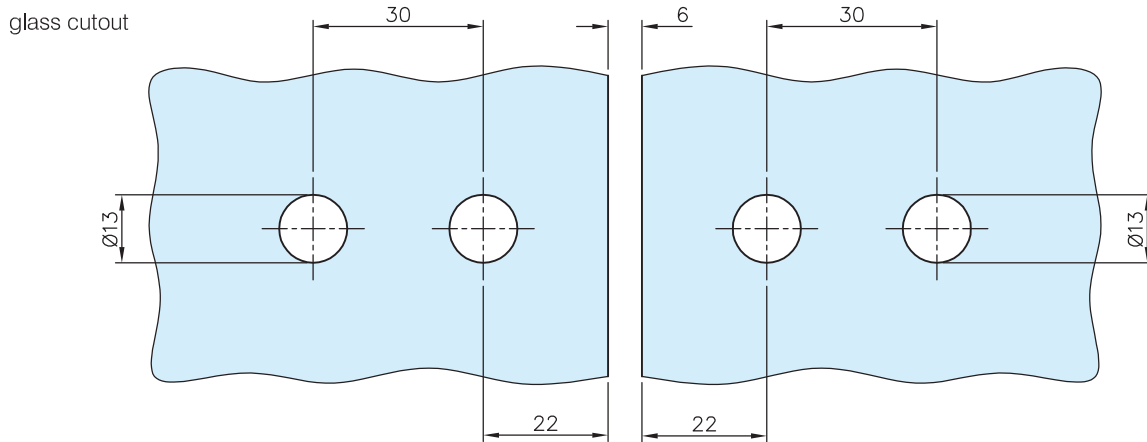
-  6 mm - 10mm
-  900 mm max.
-  45 kg max.
-  DIN left + DIN right

Material:	Stainless steel AISI 304		Weight: 0,375 kg
Finish:	Stainless steel design 41.0405.000.12	Anthracite black design 41.0405.000.26	Chrome design 41.0405.000.10

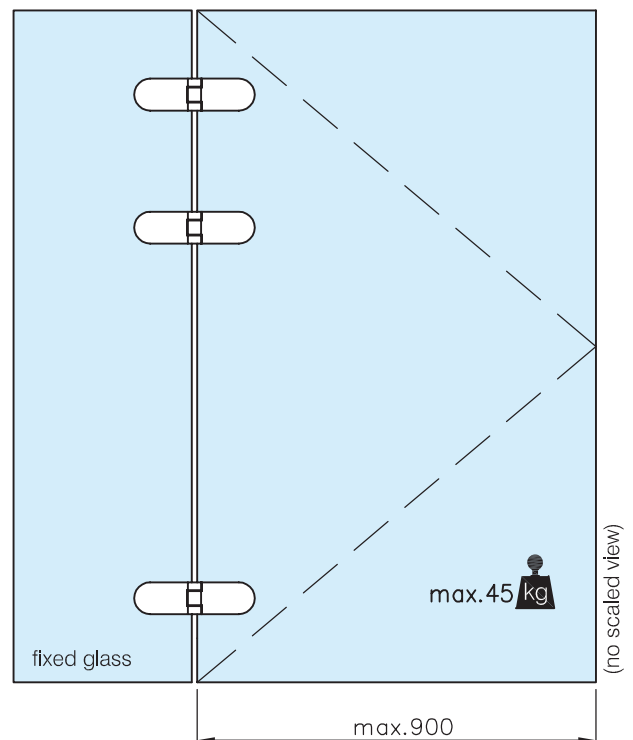
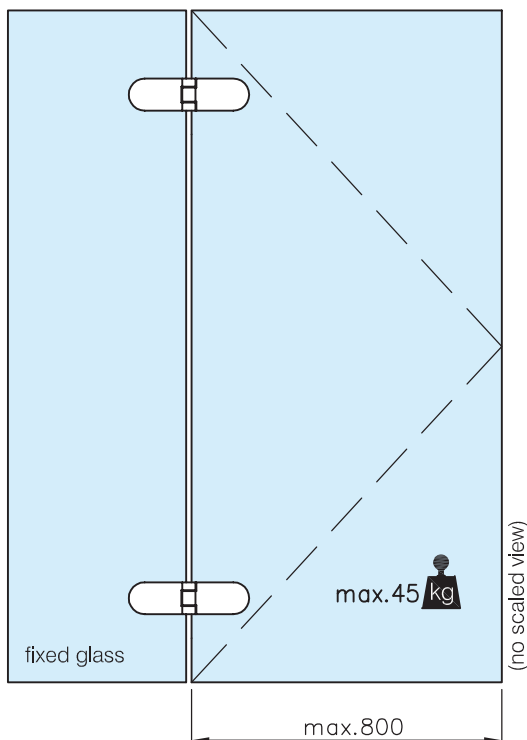


* drawing shows 8mm glass

Glass to Glass Door Hinge - Long D Shaped



Recommended dimensions according to *DIN 18268		
Glass door height	distance frame rebate - BBL(A)	distance BBL(A) - BBL(B)
1860 mm - 2110 mm	241 +1 mm	1435 mm ±0,5 mm
2111 mm - 2235 mm	241 +1 mm	1560 mm ±0,5 mm
2236 mm - 2360 mm	241 +1 mm	1685 mm ±0,5 mm



max. load weights and door width