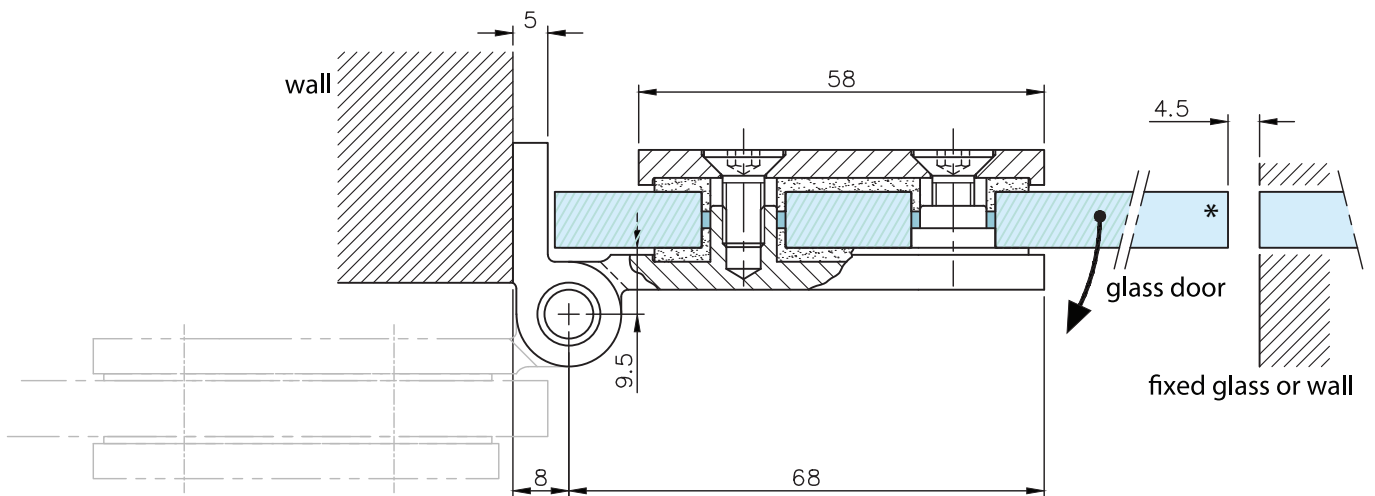
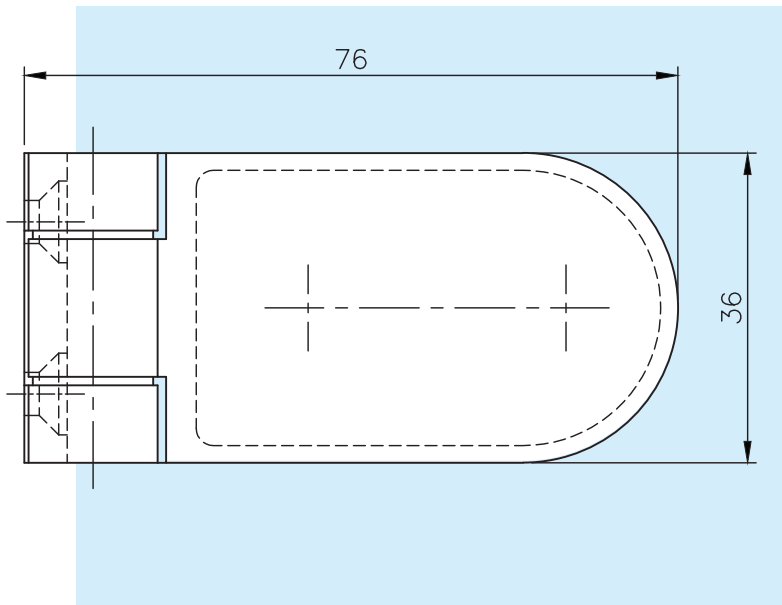
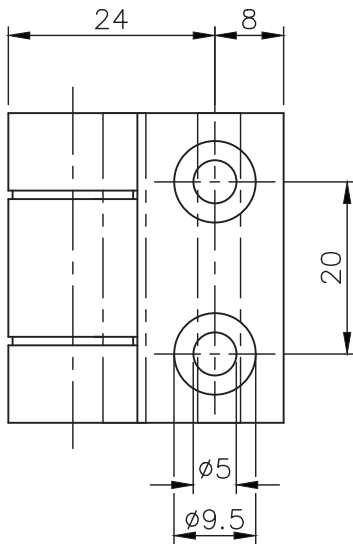
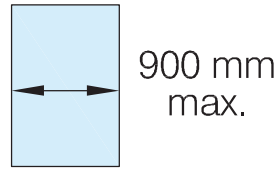
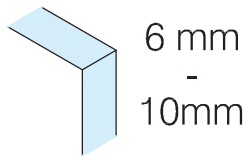
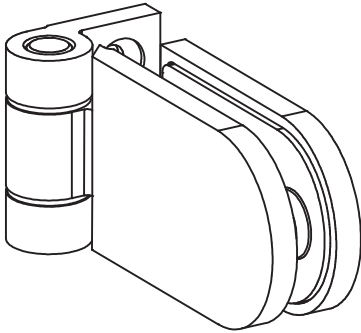


Wall to Glass Door Hinge - D Shaped - Inline

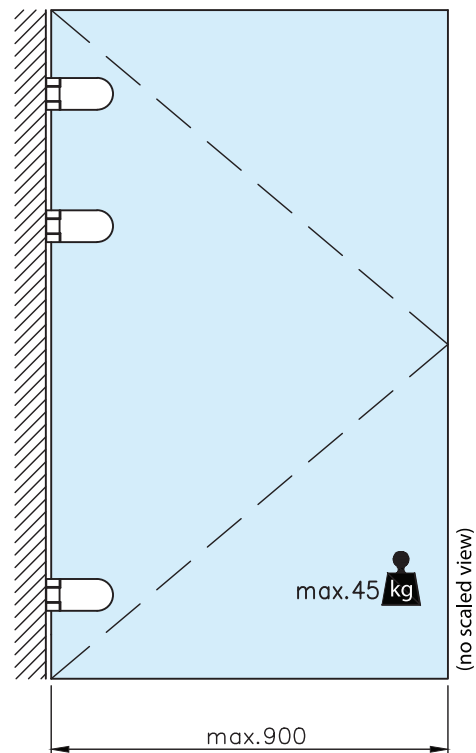
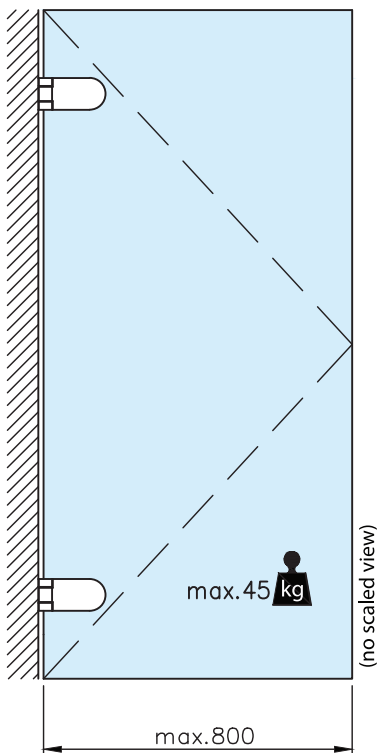
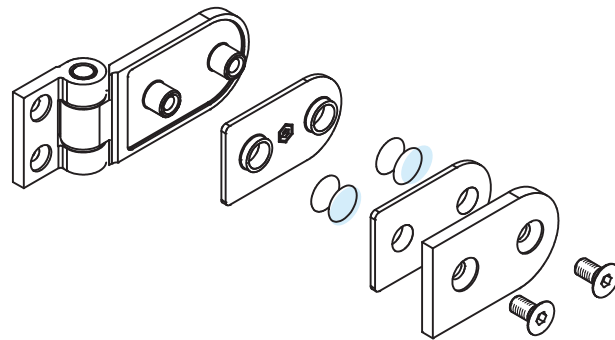
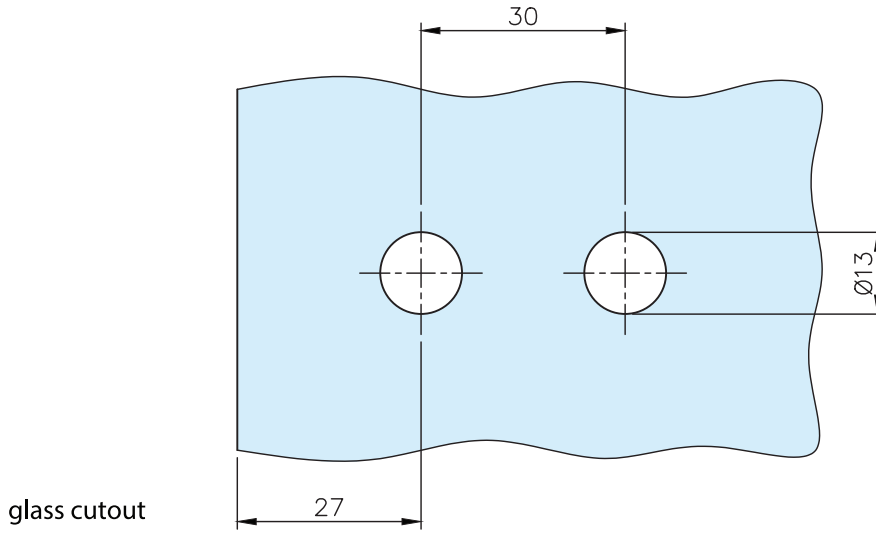
41.0406.000.12
41.0406.000.26



* drawing shows 8mm glass

Wall to Glass Door Hinge - D Shaped - Inline

41.0406.000.12
41.0406.000.26



max. load weights and door width