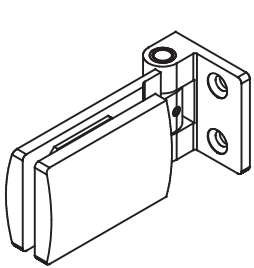

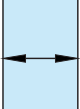
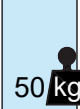
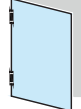



## Glass Door Hinge - Wall/Glass Fixing - Long Profile



Options:  6 mm - 10mm  1200 mm max.  50 kg max.  DIN left + DIN right 

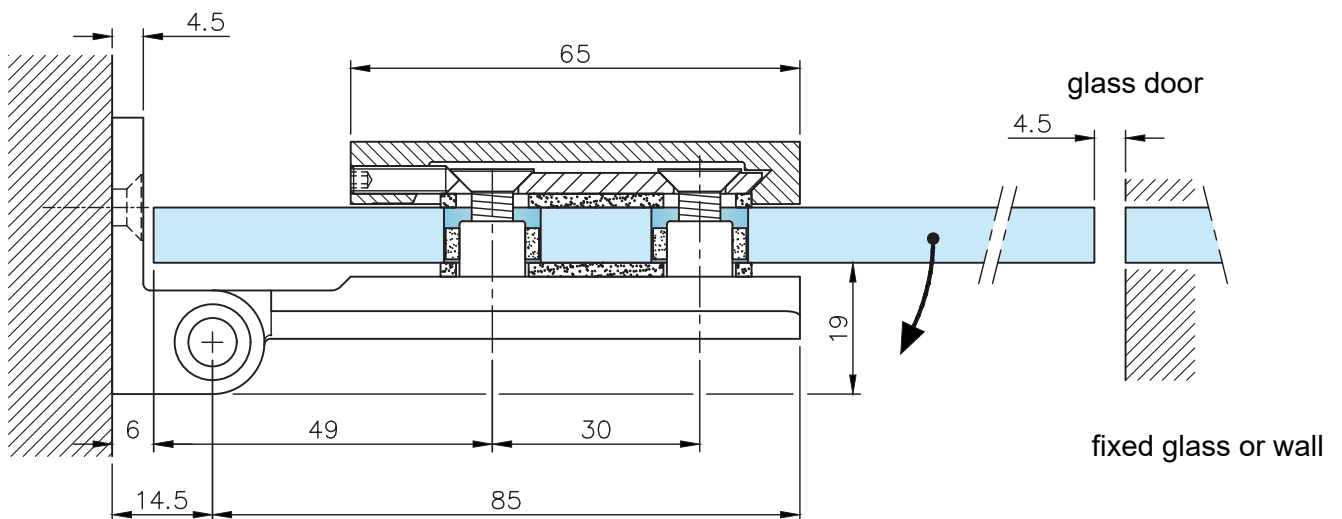
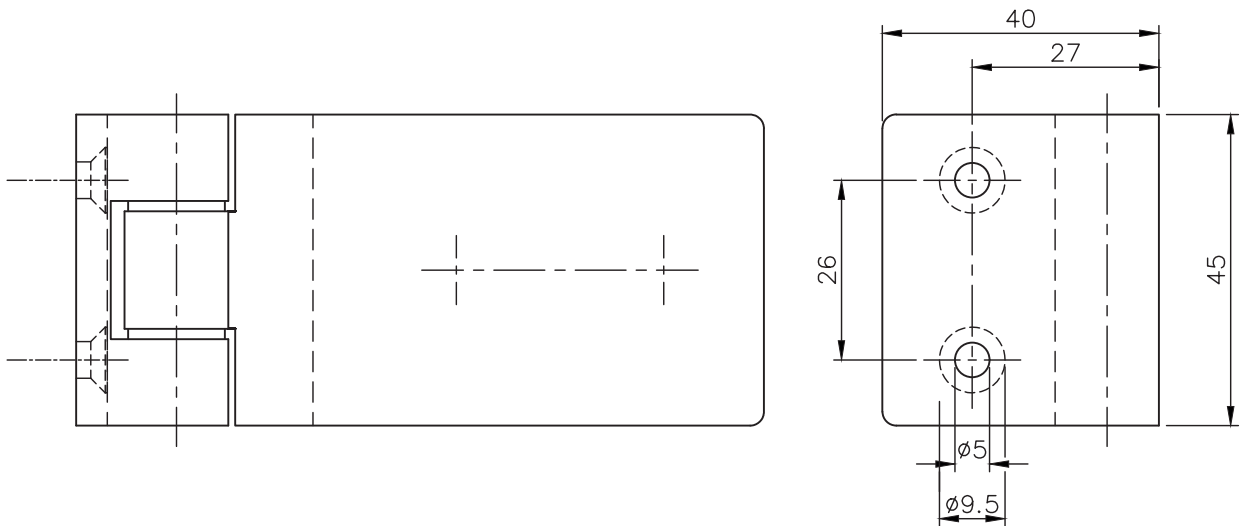
Material: Stainless steel AISI 304

Weight: 0,476 kg

Finish: Stainless steel design  
**41.0501.090.12**

Anthracite black design  
**41.0501.090.26**

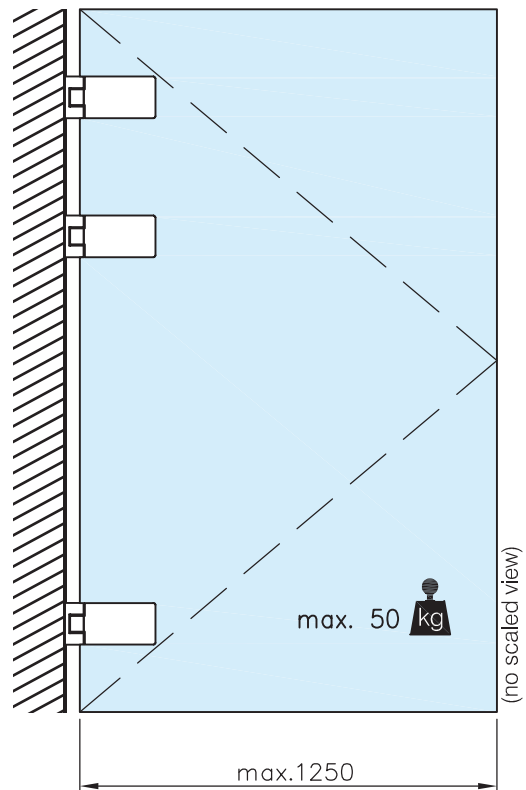
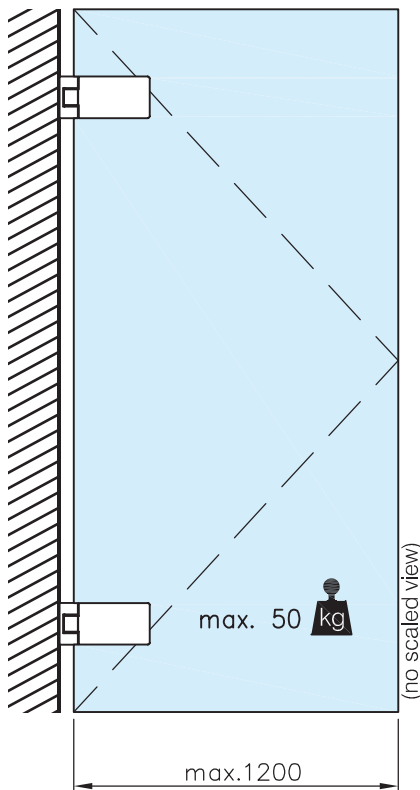
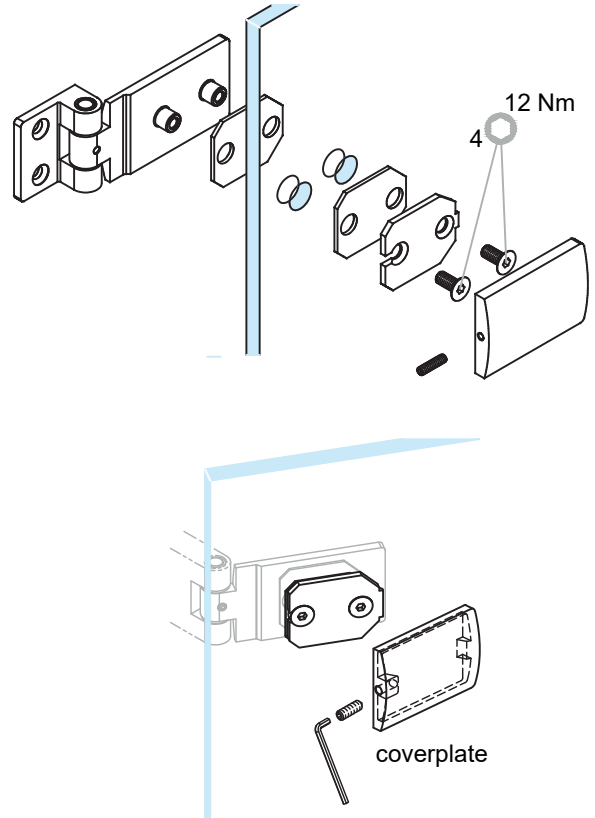
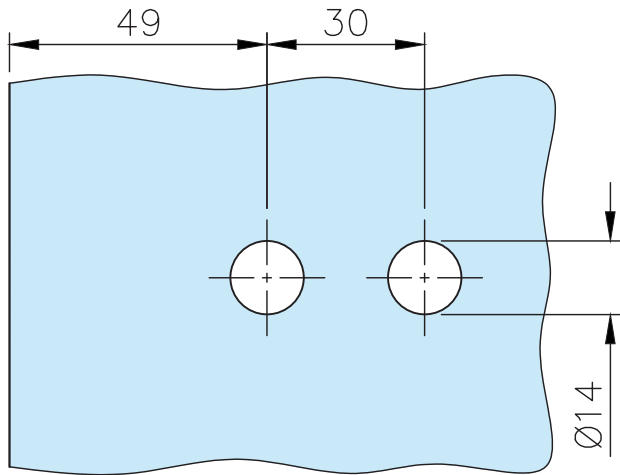
Chrome design  
**41.0501.090.10**



\* drawing shows  
8mm glass

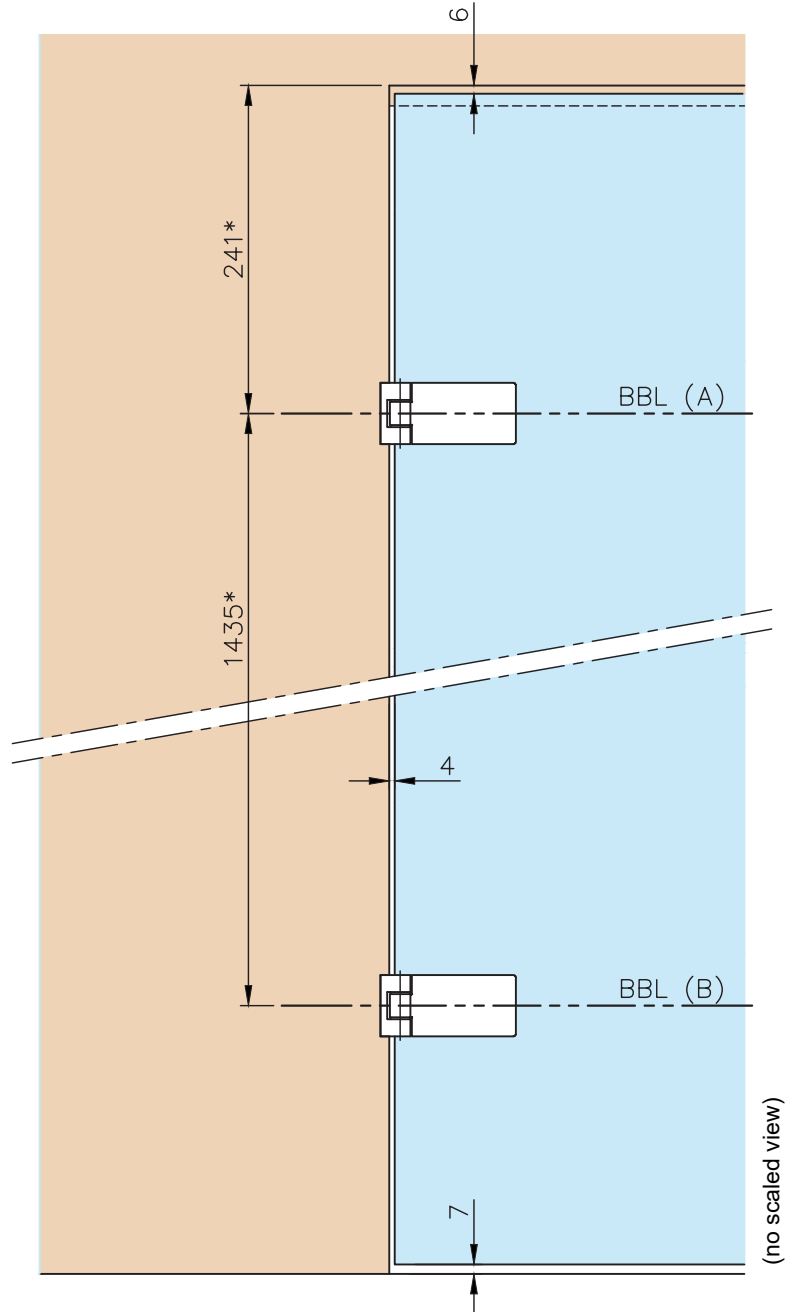
## Glass Door Hinge - Wall/Glass Fixing - Long Profile

Glass preparation:



max. load weights and door width

## Glass Door Hinge - Wall/Glass Fixing - Long Profile



Recommended dimensions according to *DIN 18268		
Glass door height	distance frame rebate - BBL(A)	distance BBL(A) - BBL(B)
1860 mm - 2110 mm	241 +1 mm	1435 mm ±0,5 mm
2111 mm - 2235 mm	241 +1 mm	1560 mm ±0,5 mm
2236 mm - 2360 mm	241 +1 mm	1685 mm ±0,5 mm