

Balustrade Easy Hit Bevelled Post Cap with Screw Fixing

Mod 5735

This easy hit post cap is part of our custom range of handrail components giving you all the options needed to create a bespoke balustrade design. This product is quick and easy to fit using an easy hit hammer, suitable for welding if you so choose.

Designed with a pre-drilled M10 threaded centre hole to accept handrail pillar components from this range. Choice of 304 grade (interior) or 316 grade (exterior) stainless steel, this post cap is available for 42.4mm and 48.3mm tubular posts.

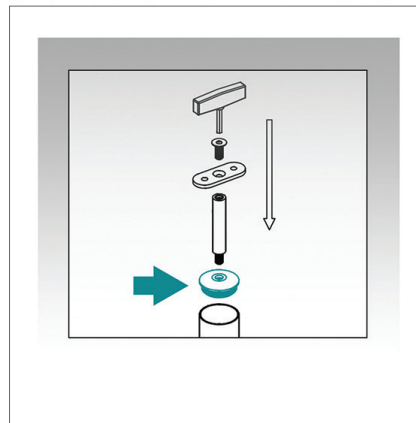
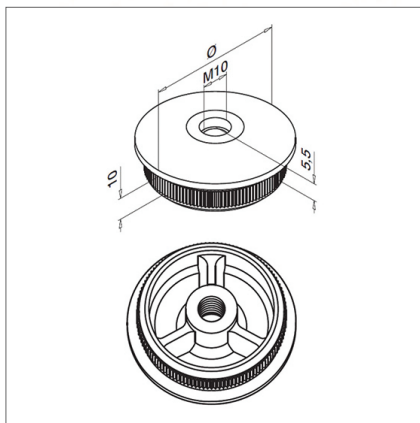
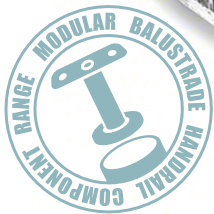
Modular DIY Range

Our most comprehensive and popular range of balustrade components. All the fittings in this range are based upon a wall thickness of 2mm ensuring that your installation is of the highest quality and will stand the test of time.

Product Information

Available options

- Grade: 304 (interior) stainless steel.
- Grade: 316 (exterior) stainless steel.
- To Fit Diameter: 42.4mm
- To Fit Diameter: 48.3mm
- Stand Off Height: 5.5mm
- Centre Hole Thread: M10
- Brushed 320 grit satin finish.



Key Features

- 304** Manufactured from 304 grade stainless steel.
- 316** Manufactured from 316 grade stainless steel.
- Ø 42.4** To fit 42.4mm diameter stainless steel tube.
- Ø 48.3** To fit 48.3mm diameter stainless steel tube.
- Brushed 320 grit satin finish.
- Recommended **Easy Hit Hammer**
- This product is suitable for welding.

Care Instructions



We recommend you should treat your stainless steel balustrade on a regular basis to ensure long-lasting perfection. Using either WD-40 or a specialist chemical stainless steel cleaner to remove heavy dirt and rust stains. **Q-Ultra-Clean** rebuilds and strengthens the passive layer of stainless steel.

Design

You can send us your drawings, technical drawings or even a freehand sketch.

From this we'll produce an accurate quotation for you. This service is completely free with no hassle or obligation.

Give us a call for any advice Monday to Friday 9.00am to 5.00pm

Contact us

Email: info@s3i.co.uk

Telephone: **01302 752 504**