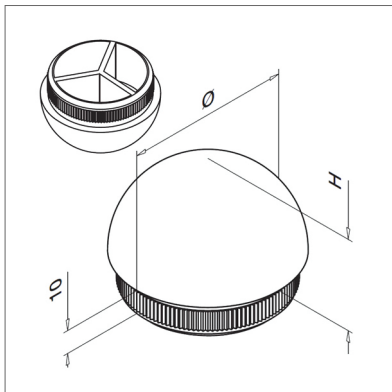


Balustrade Easy Hit End Cap - Arched



Mod 05730

With quick and easy installation this easy hit arched end cap is a superb finishing touch to any balustrade.

This arched end cap is available for interior (304 grade) applications, finished to a superb brushed 320 grit satin. options to fit 42.4mm or 48.3mm stainless steel tube.

Modular DIY Range

Our most comprehensive and popular range of stainless steel balustrade components.

All the fittings in this range are based upon a wall thickness of 2mm ensuring that your installation is of the highest quality and will stand the test of time.

Product Information

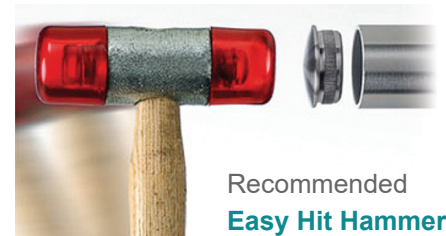
Available Options

Grade: 304 (interior) stainless steel.

To Fit: 42.4mm diameter tube.

To Fit: 48.3mm diameter tube.

Brushed 320 grit satin finish.



Recommended
Easy Hit Hammer

Key Features

304

Manufactured from 304 grade stainless steel.

Ø 42.4

To fit 42.4mm diameter stainless steel tube.

Ø 48.3

To fit 48.3mm diameter stainless steel tube.



Brushed 320 grit satin finish.



For rapid installation, we recommend using an **Easy Hit Hammer**.

Care Instructions



We recommend you should treat your stainless steel balustrade on a regular basis to ensure long-lasting perfection. Using either WD-40 or a specialist chemical stainless steel cleaner to remove heavy dirt and rust stains. **Q-Ultra-Clean** rebuilds and strengthens the passive layer of stainless steel.

Design

You can send us your drawings, technical drawings or even a freehand sketch.

From this we'll produce an accurate quotation for you. This service is completely free with no hassle or obligation.

Give us a call for any advice Monday to Friday 9.00am to 5.00pm

Contact us

Email: info@s3i.co.uk

Telephone: **01302 752 504**