



Modular Balustrade Easy Hit End Cap - Arched

13.5730.042.12

With quick and easy installation this easy hit arched end cap is a superb finishing touch to any balustrade.

Available in 304 grade stainless steel making this piece ideal for interior applications.

Manufactured with options to fit 42.4mm diameter tube and finished to a brushed 320 grit satin.

Modular DIY Range

Our most comprehensive and popular range of stainless steel balustrade components.

All the fittings in this range are based upon a wall thickness of 2.6mm ensuring that your installation is of the highest quality and will stand the test of time.

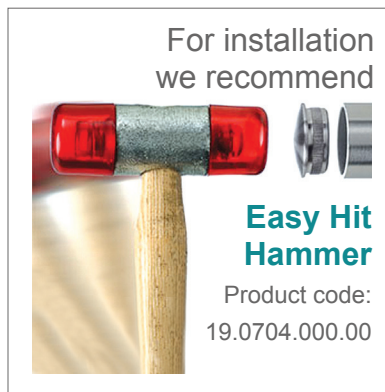
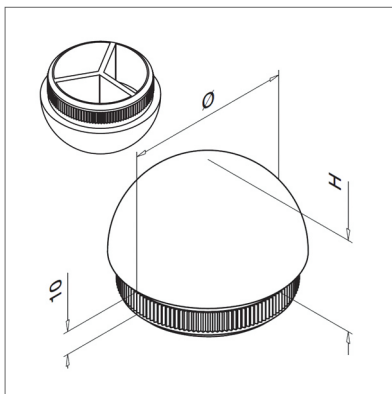
Product Information

Available Options



Grade: 304 (interior) stainless steel.

To Fit: 42.4mm diameter tube.

To a brushed 320 grit satin finish.



Key Features

- 304** Manufactured from 304 grade stainless steel.
- Ø 42.4** To fit 42.4mm diameter stainless steel.
-  To a superb brushed 320 grit satin finish.
-  For rapid installation, we recommend using an **Easy Hit Hammer**.

Care Instructions



We recommend you should treat your stainless steel balustrade on a regular basis to ensure long-lasting perfection. Using either WD-40 or a specialist chemical stainless steel cleaner to remove heavy dirt and rust stains.

Q-Ultra-Clean rebuilds and strengthens the passive layer of stainless steel, product code: 19.0610.000.00

Design

You can send us your drawings, technical drawings or even a freehand sketch.

From this we'll produce an accurate quotation for you. This service is completely free with no hassle or obligation.

Give us a call for any advice Monday to Friday 9.00am to 5.00pm

Contact us

Email: info@s3i.co.uk

Telephone: **01302 714 513**

Fax: **01302 714 532**