

Balustrade Easy Hit End Cap - Flat



Mod 5732

The perfect piece to finish your stainless steel handrail.

This flat end cap is available for interior (304 grade) and exterior (316 grade) applications, to a superb brushed 320 grit satin finish. To fit 42.4mm and 48.3mm stainless steel tube. Fitting couldn't be easier with the use of a plastic easy hit hammer.

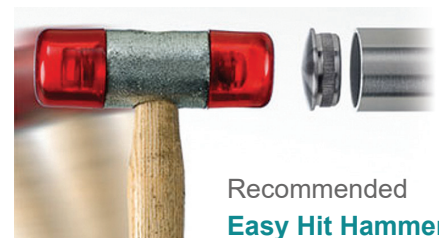
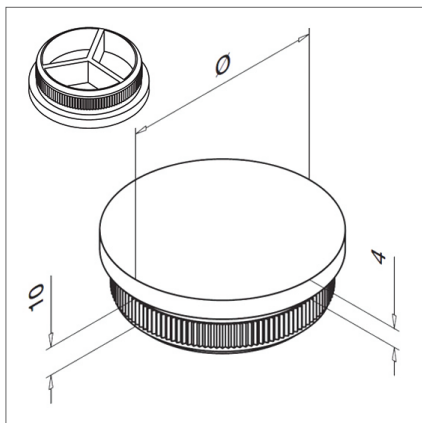
Modular DIY Range

Our most comprehensive and popular range of balustrade components. Produced from high quality stainless steel. All fittings in this range are based upon a wall thickness of 2mm ensuring that your installation is of the highest quality and will stand the test of time.

Product Information

Available Options

- Grade: 304 (interior) stainless steel.
- Grade: 316 (exterior) stainless steel.
- To Fit: 42.4mm diameter tube.
- To Fit: 48.3mm diameter tube.
- Brushed 320 grit satin finish.



Recommended
Easy Hit Hammer

Key Features

- 304** Manufactured from 304 grade stainless steel.
- 316** Manufactured from 316 grade stainless steel.
- Ø 42.4** To fit 42.4mm diameter stainless steel tube.
- Ø 48.3** To fit 48.3mm diameter stainless steel tube.
- Brushed 320 grit satin finish.
- For rapid installation, we recommend using an **Easy Hit Hammer**.

Care Instructions



We recommend you should treat your stainless steel balustrade on a regular basis to ensure long-lasting perfection. Using either WD-40 or a specialist chemical stainless steel cleaner to remove heavy dirt and rust stains. **Q-Ultra-Clean** rebuilds and strengthens the passive layer of stainless steel.

Design

You can send us your drawings, technical drawings or even a freehand sketch.

From this we'll produce an accurate quotation for you. This service is completely free with no hassle or obligation.

Give us a call for any advice Monday to Friday 9.00am to 5.00pm

Contact us

Email: info@s3i.co.uk

Telephone: **01302 752 504**