

Modular Balustrade Handrail Bracket Angled - Tube to Tube Mount 13.9330.042.12 / 13.9331.048.12



Angled handrail bracket for fixing onto upright tubular posts from our modular range with options to fit either 42.4mm or 48.3mm diameter posts.

Suitable for indoor applications, manufactured from high quality 304 grade stainless steel to a stunning brushed 320 grit satin finish.

Designed to support either 42.4mm or 48.3mm diameter balustrade railing.

For fixing to tubular posts we recommend using a **M8 x 40 hex head countersunk screw**. Using a **M6 x 60 hex head cap screw** to attach your handrail to the bracket.

Modular DIY Range

Our most comprehensive and popular range of balustrade components. Produced from high quality 304 or 316 grade stainless steel. All the fittings in this range are based upon a wall thickness of 2.6mm ensuring that your installation is of the highest quality and will stand the test of time.

Product Information

Available Options

Grade: 304 (interior) stainless steel.

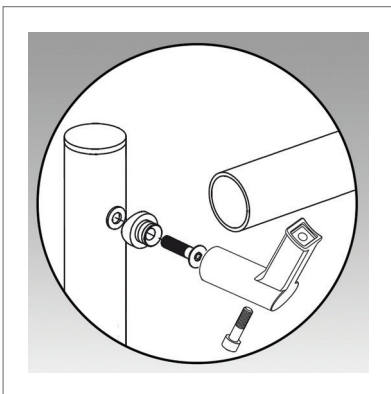
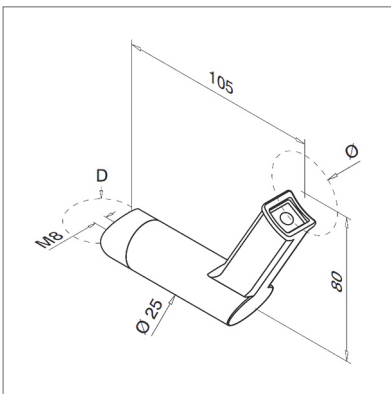
To Fit: 42.4mm diameter tube.

To Fit: 48.3mm diameter tube.

Stand Off: 100mm.

Disc Diameter: 50mm.

To a brushed 320 grit satin finish.












Modular Balustrade Handrail Bracket Angled - Tube to Tube Mount

13.9330.042.12 / 13.9331.048.12

Key Features

-  Manufactured from 304 grade stainless steel.
-  To fit 42.4mm diameter stainless steel tube.
-  To fit 48.3mm diameter stainless steel tube.
-  To a brushed 320 grit satin finish.
-  Selection of fitting options available.
-  Requires the use of a hex head key for installation.
-  Drill required for installation.

Care Instructions



We recommend you should treat your stainless steel balustrade on a regular basis to ensure long-lasting perfection. Using either WD-40 or a specialist chemical stainless steel cleaner to remove heavy dirt and rust stains.

Q-Ultra-Clean rebuilds and strengthens the passive layer of stainless steel.

Design

You can send us your drawings, technical drawings or even a freehand sketch.

From this we'll produce an accurate quotation for you. This service is completely free with no hassle or obligation.

Give us a call for any advice Monday to Friday 9.00am to 5.00pm

Contact us

Email: info@s3i.co.uk

Telephone: **01302 752 504**

Fax: **01302 752 410**



For installation onto stainless steel posts we recommend using a **M8 x 40 hex head countersunk screw** to attach this bracket.

For attaching stainless steel handrail we recommend using a **M6 x 60 hex head cap screw**.

Use of a **hex head key** is required for installation.