

## Cable Display Kit - Floor to Wall Mount

**Important:** Check that mounting surfaces are strong enough to take the weight of the items being displayed.

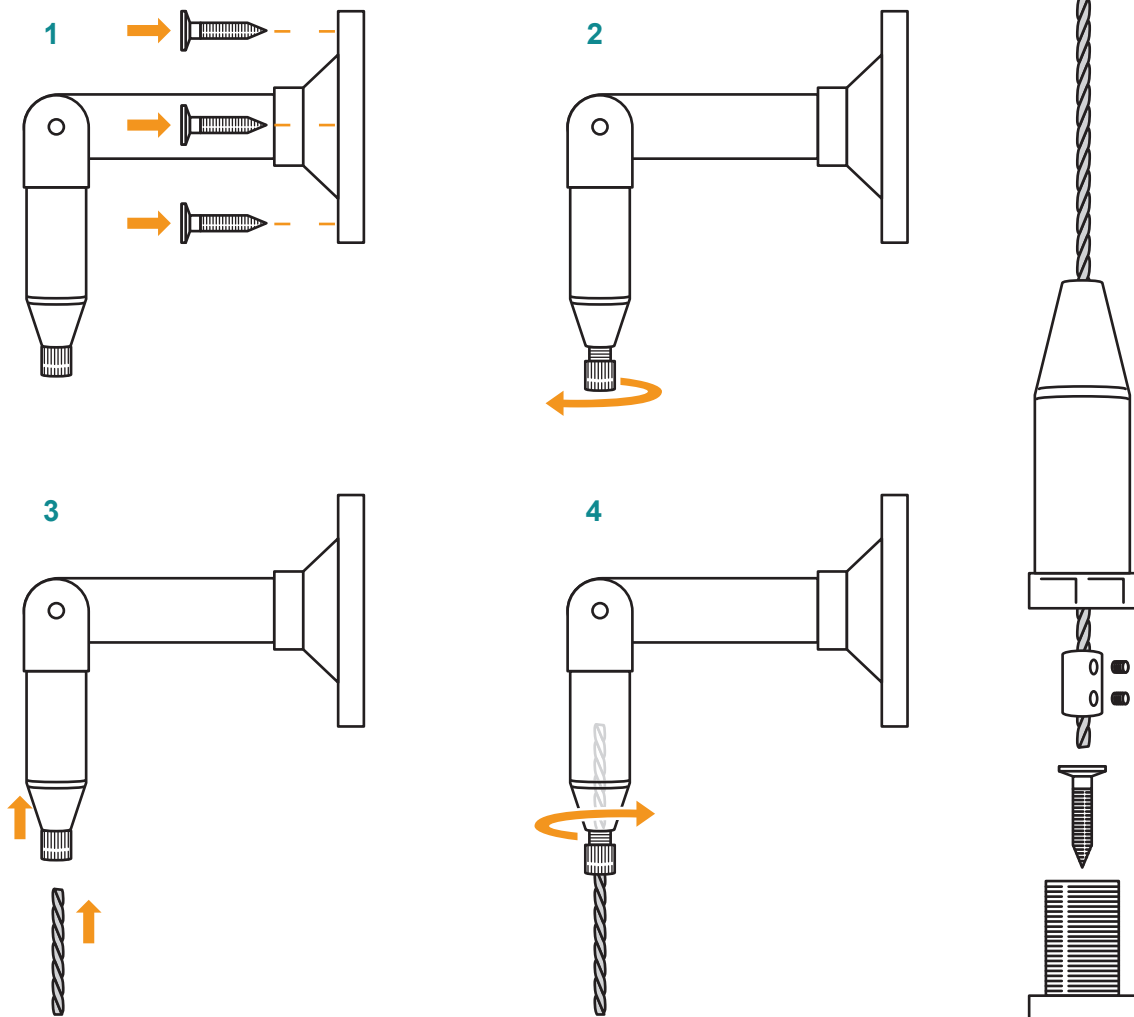
We recommend marking the position of the top tensioner first and using a plumb line to mark the position for the bottom tensioner

For wood mounting you can direct mount using countersunk screws.  
 For solid walls use a plastic/rawl plug to hold your screws firmly in place.

**Note:** Screw fixings not included with wall bracket tensioner.

### Wall Bracket Tensioner

1. Use suitable no.6 countersunk screws to secure bracket base plate to mounting surface.
2. Unscrew the end fitting.
3. Press the end fitting towards the body and insert wire rope firmly until it locks in place.
4. To fully secure the wire, screw the end fitting back towards the main body.



## Cable Display Kit - Floor to Wall Mount

### Floor Mount Cable Tensioner

1. Unscrew the main body from the threaded mounting block to reveal end stopper.
2. Secure the threaded mounting block in place with the screw provided.
3. Pass wire rope through body and end stopper, fix in place by tightening the grub screws using a 1.5mm allen key.
4. Replace main body onto the threaded mounting block.

