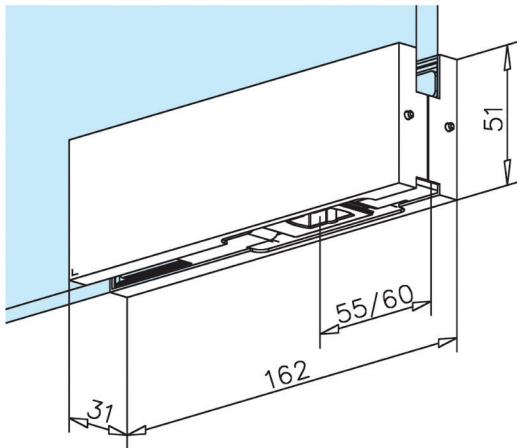


## Glass Door Patch - Lower Corner



**Stainless Steel: 45.2152.000.12**

**Anthracite Black: 45.2152.000.26**

Door patch fitting for lower corners on frameless glass doors.

Minimalist style that is suitable for a host of combinations on single-leaf and double-leaf doorways. Strong and sturdy construction, for door systems up to a maximum of 100kg.

For use with Floor Spring - Door Control or Floor Mount Spindles (available separately).

Available in a choice of

**304** 304 grade stainless steel with a satin finish.  
Ideal for interior use.

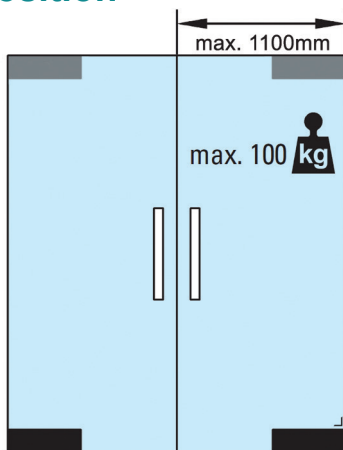
Anthracite (near black) PVD coated finish.  
Ideal for interior use.

**Glass** To fit glass thickness 10mm - 12mm.

**MAX** For door systems up to a maximum of 100kg.

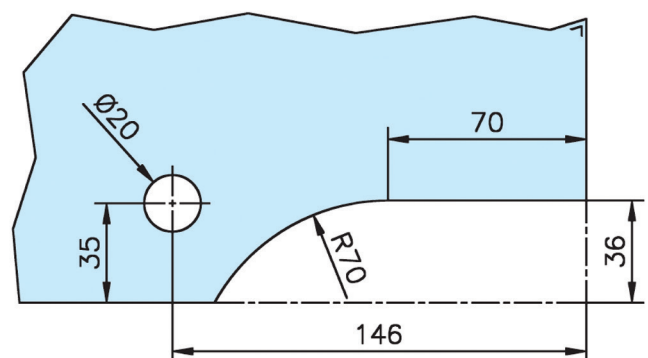
**Drill** Glass will require professional drilling for installation.

## Position



Glass Door Patch - Lower Corner

## Glass Drilling Template



### IMPORTANT

Glass doors will require professional drilling at manufacture stage to accept this upper corner door patch fitting.