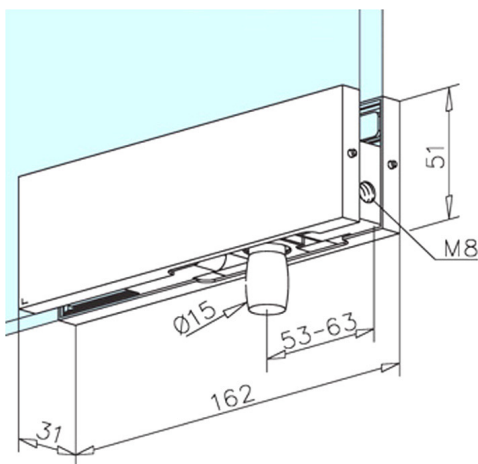


## Glass Door Patch Over Glass Panel Pivot



**Stainless Steel: 45.2153.000.12**  
**Anthracite Black: 45.2153.000.26**

Door patch, over glass panel fitting with pivot connection, designed for connecting glass swing doors securely within a glass facade.

Strong construction, for door systems up to a maximum of 100kg.

Suitable for glass thickness of 10 - 12mm.

Available in a choice of

**304** 304 grade stainless steel with a satin finish.  
Ideal for interior use.

Anthracite (near black) PVD coated finish.  
Ideal for interior use.

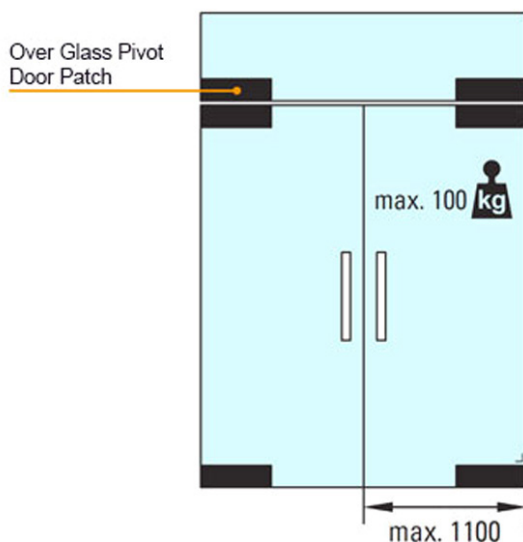
**Glass** To fit glass thickness 10mm - 12mm.

**MAX** For door systems up to a maximum of 100kg.

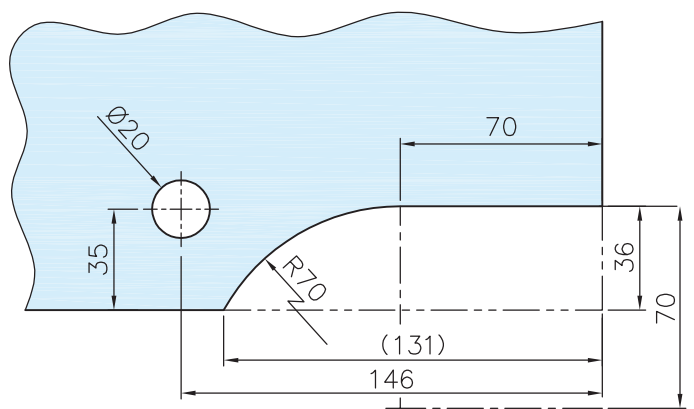
Glass will require professional drilling for installation.

## Position

Glass Door Patch - Over Glass Panel Pivot



## Glass Drilling Template



### IMPORTANT

Glass doors will require professional drilling at manufacture stage to accept this over glass panel pivot door patch fitting.