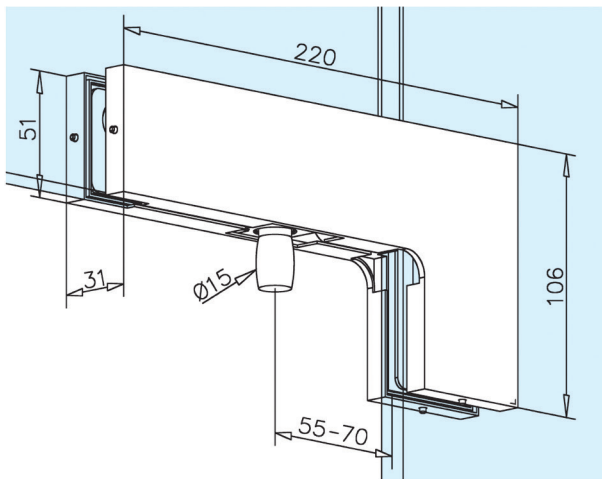


Glass Door Patch Over Glass Corner Pivot



Stainless Steel: 45.2154.000.12
Anthracite Black: 45.2154.000.26

Door patch, over glass corner fitting with pivot connection, designed for connecting glass swing doors securely within a glass facade.

Strong construction, for door systems up to a maximum of 100kg.

Suitable for glass thickness of 10 - 12mm.

Available in a choice of

304 304 grade stainless steel with a satin finish.
Ideal for interior use.

Anthracite Anthracite (near black) PVD coated finish.
Ideal for interior use.

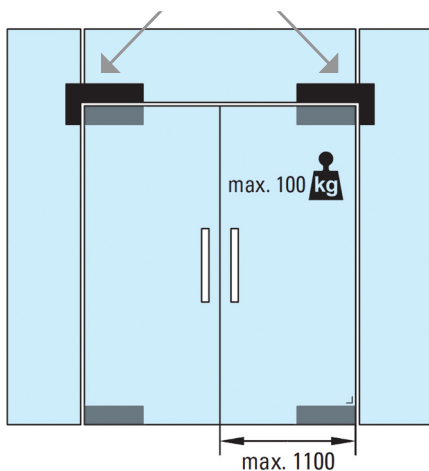
Glass To fit glass thickness 10mm - 12mm.

MAX For door systems up to a maximum of 100kg.

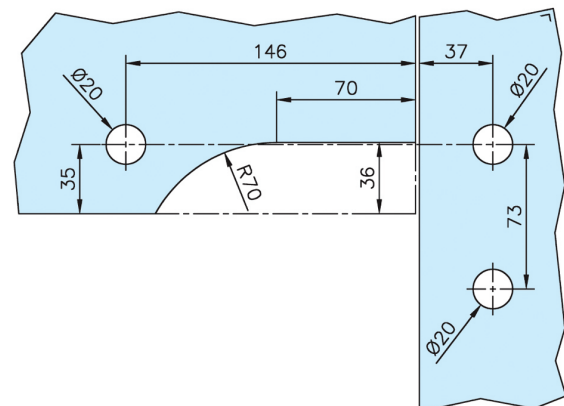
Key Glass will require professional drilling for installation.

Position

Glass Door Patch - Over Glass Corner Pivot



Glass Drilling Template



IMPORTANT

Glass doors will require professional drilling at manufacture stage to accept this over glass corner pivot door patch fitting.