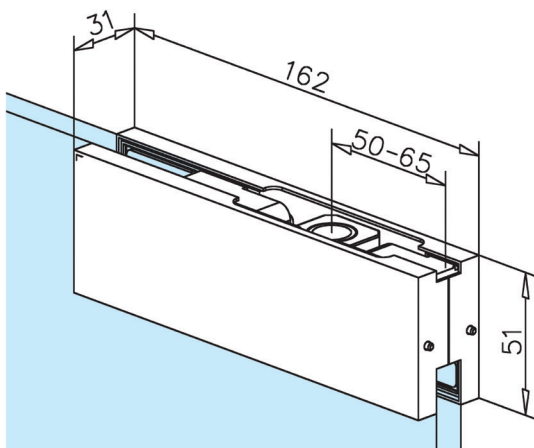


Glass Door Patch - Upper Corner



Stainless Steel: 45.2150.000.12

Anthracite Black: 45.2150.000.26

Door patch fitting for upper corners on frameless glass doors.

Minimalist style that is suitable for a host of combinations on single-leaf and double-leaf doorways. Strong and sturdy construction, for door systems up to a maximum of 100kg.

For use with our top pivot fitting (available separately).

Available in a choice of

304 304 grade stainless steel with a satin finish.
Ideal for interior use.

Anthracite (near black) PVD coated finish.
Ideal for interior use.

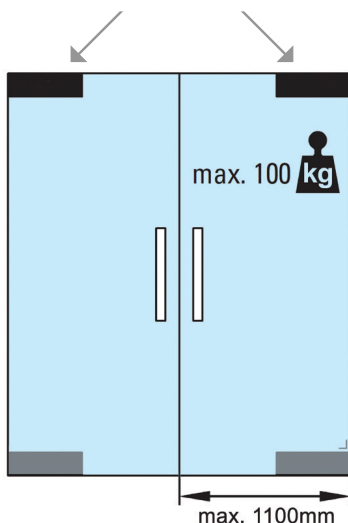
Glass To fit glass thickness 10mm - 12mm.

MAX For door systems up to a maximum of 100kg.

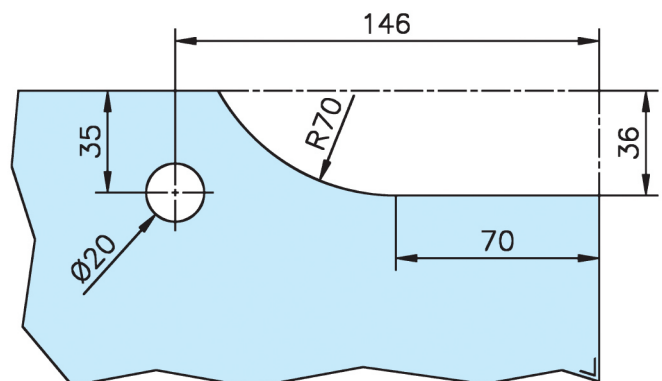
Key Glass will require professional drilling for installation.

Position

Glass Door Patch Upper Corner



Glass Drilling Template



IMPORTANT

Glass doors will require professional drilling at manufacture stage to accept this upper corner door patch fitting.