

## Top Mount 'F' Shaped Frameless Pro Glass Balustrade

- Profiles are manufactured in Aluminium to a brushed stainless steel effect.
- Connection pins for easy alignment and connection of base units.
- Adjustable safety wedge assembly system - for perfect glass alignment.
- Suitable for indoor and outdoor installation.
- Integrated water drainage system.
- Choice of compatible handrail, cap rail and connectors available.

### Mounting Advice

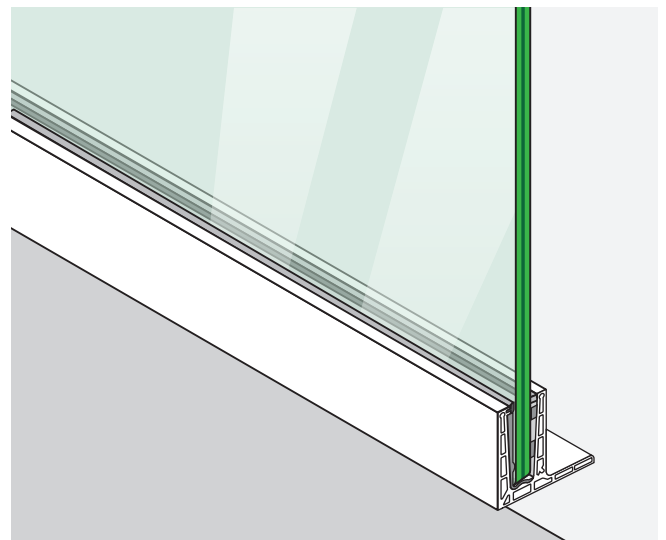
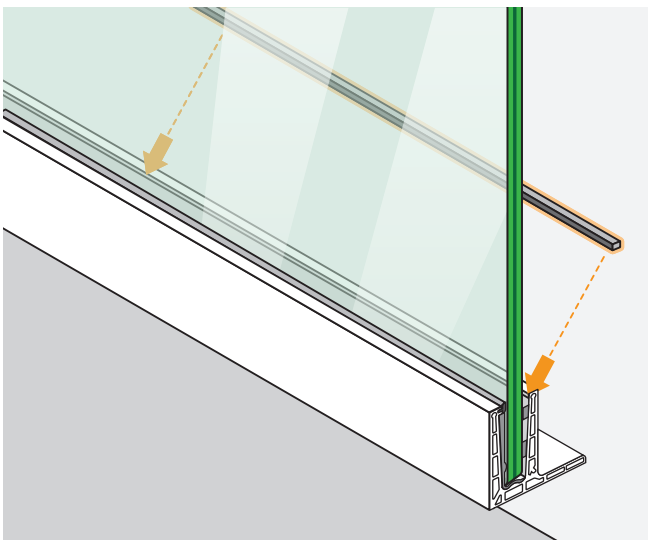
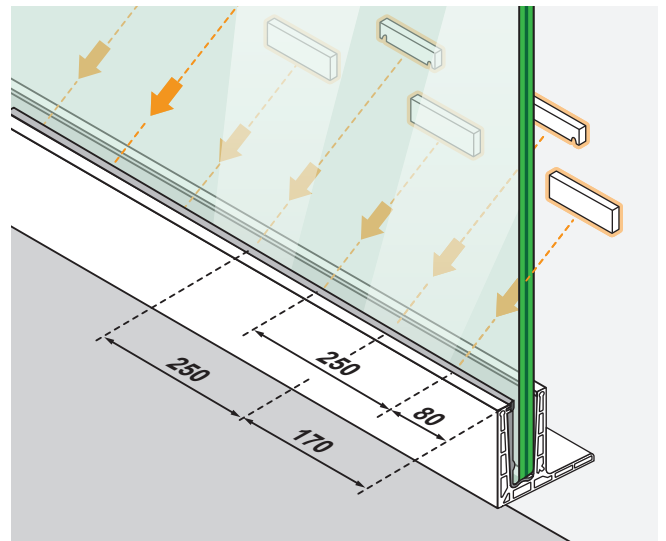
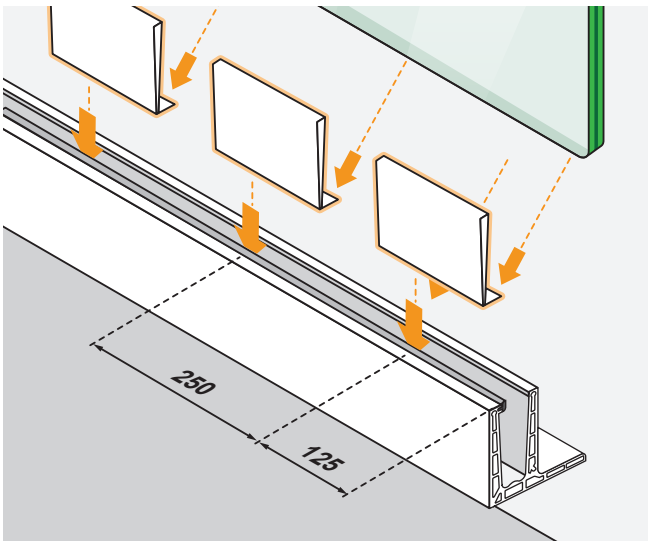
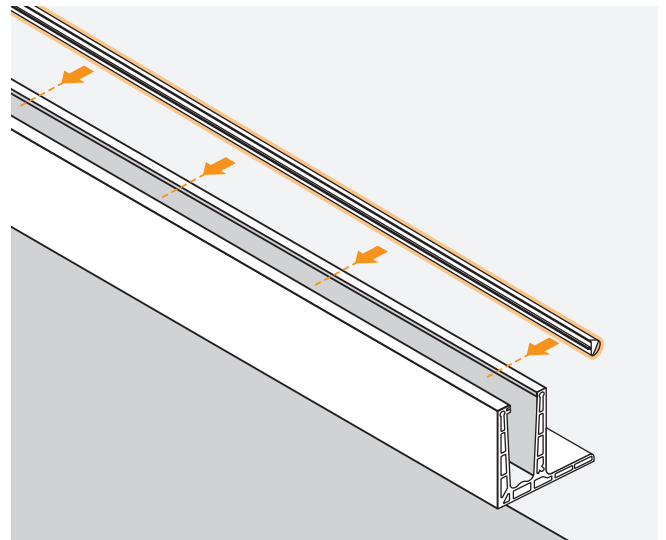
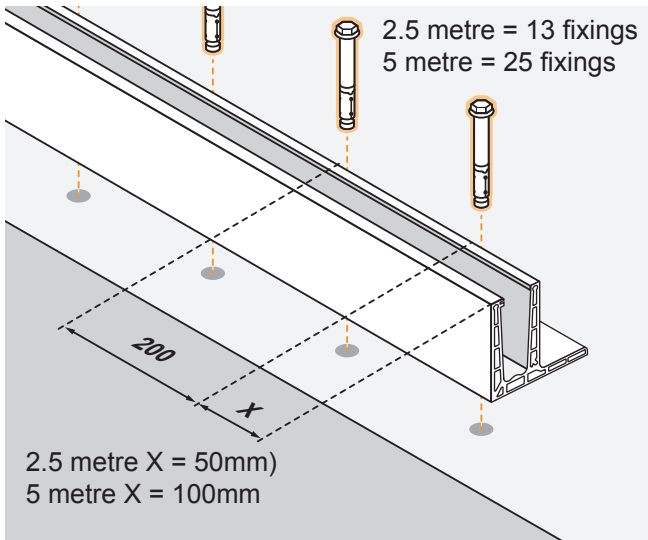
Any quoted figures about the performance of these products relate to installing into concrete. **Please take advice from an engineer or specialist when installing into any other material, such as timber.**

### Typical Balustrade Components

The diagram illustrates the components of a top mount 'F' shaped frameless pro glass balustrade. On the left, a vertical cutaway shows the assembly: a green glass panel is held in a grey 'Glass Channel Handrail' at the top. A 'Handrail Gasket' is positioned between the handrail and the glass. The glass is supported by a 'Safety Wedge Kit' which is seated within a 'Mounting Profile'. This profile is anchored into a concrete base using an 'Anchor Bolt'. To the right, individual components are shown: three different styles of 'Glass Channel Handrail', a 'Handrail Gasket', a '12mm - 21.52mm Laminated or Mono Glass' panel, a 'Safety Wedge Kit' (including a wedge, a pin, and a cap), a 'Mounting Profile' with a gasket, and an 'Anchor Bolt'.

Usage	Light to Medium
Certified	Yes
Working Line Load (kN/m)	0.74
Weight (kg per metre)	8.36
Glass Thickness (mm)	12mm to 21.52mm
Cladding Possible	No

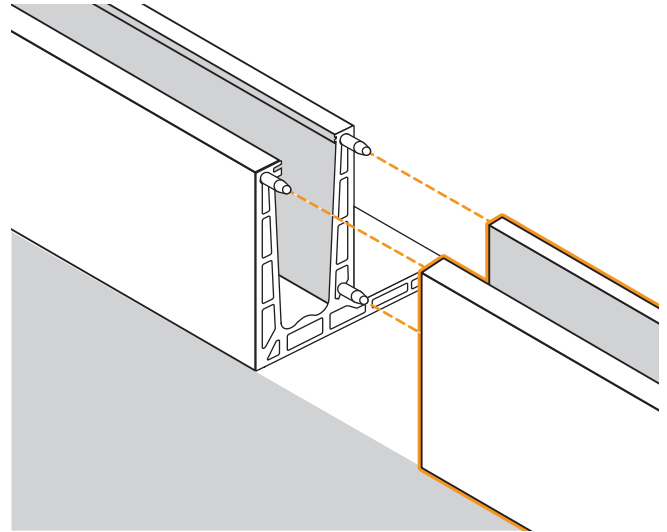
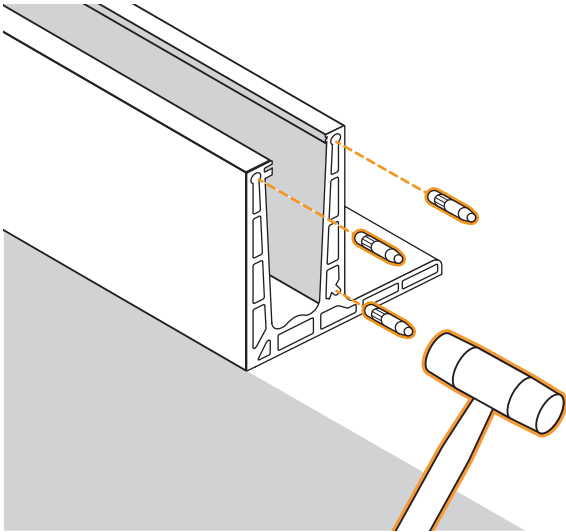
## Top Mount 'F' Shaped Frameless Pro Glass Balustrade



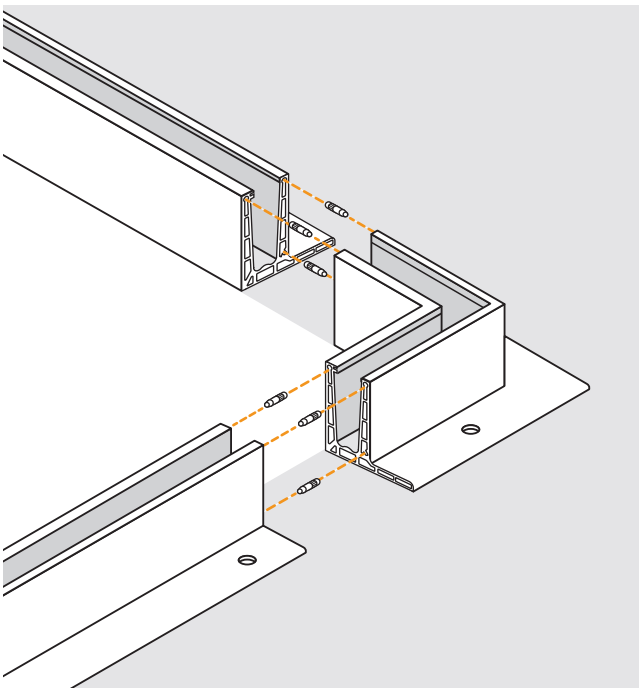
## Top Mount 'F' Shaped Frameless Pro Glass Balustrade

### Connection Advice - 'F' Mount Frameless Pro Glass Balustrade

'F' shaped base profiles are joined together using three pin connectors, simply insert pins into your first profile and tap into place with a rubber hammer. You can position and push your next base profile on to the pins.



### Inner Corner



### Outer Corner

