

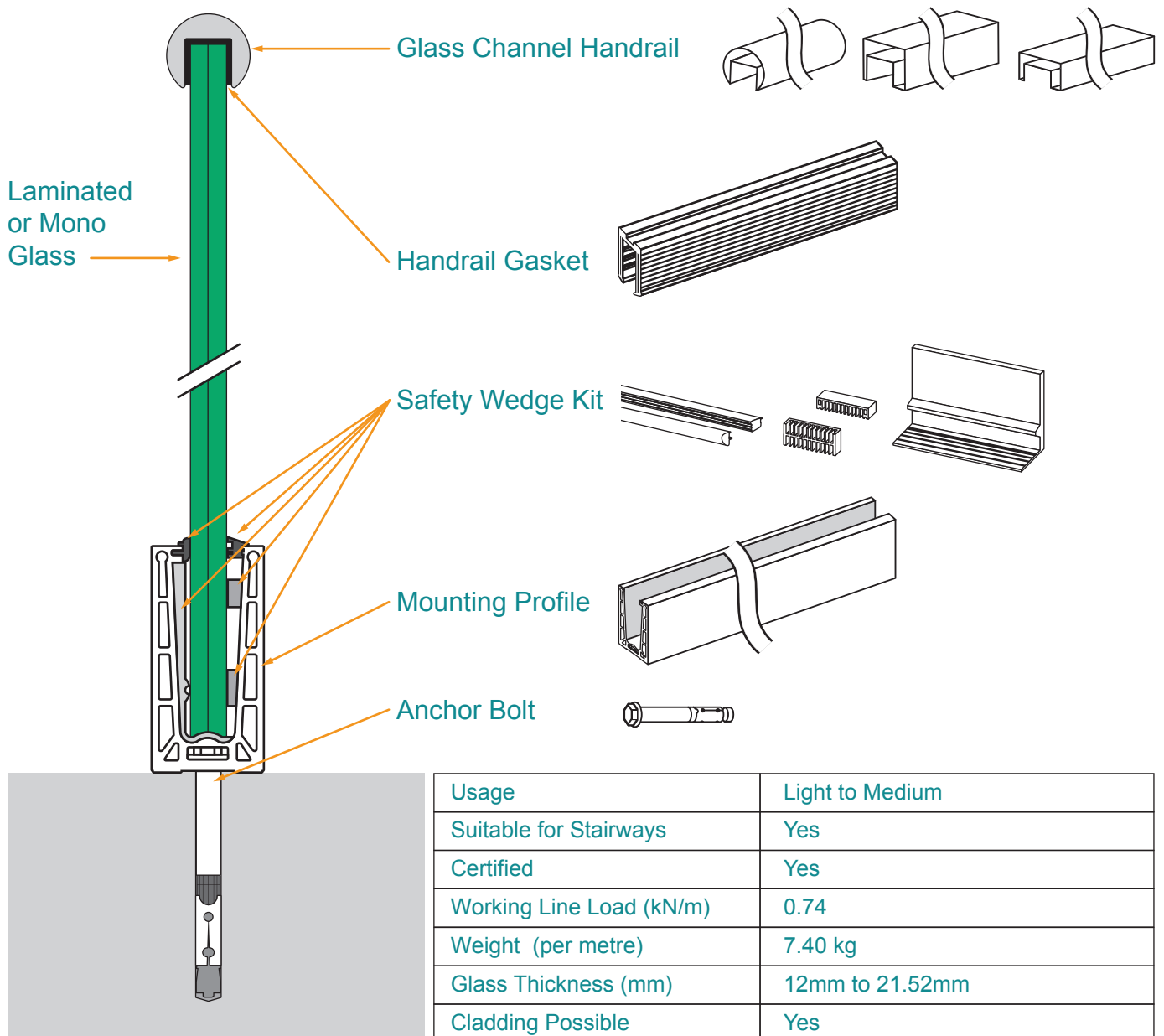
Top Mount Frameless Pro Glass Balustrade

- Profiles are manufactured in Aluminium to a brushed stainless steel effect.
- Connection pins for easy alignment and connection of base units.
- Adjustable safety wedge assembly system - for perfect glass alignment.
- Suitable for indoor and outdoor installation.
- Integrated water drainage system.
- Choice of compatible handrail, cap rail and connectors available.

Mounting Advice

Any quoted figures about the performance of these products relate to installing into concrete. **Please take advice from an engineer or specialist when installing into any other material, such as timber.**

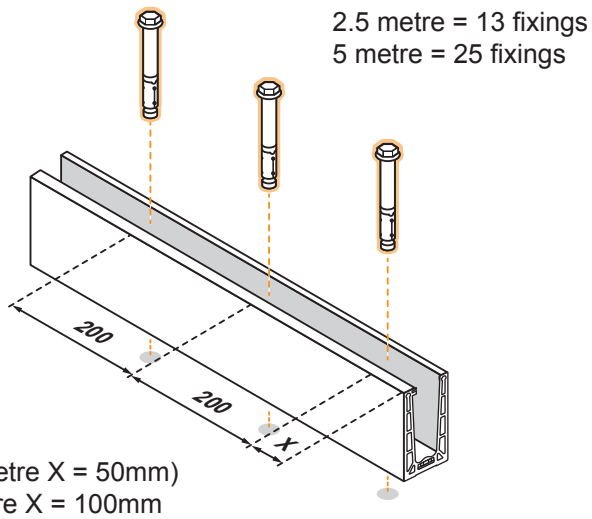
Typical Balustrade Components



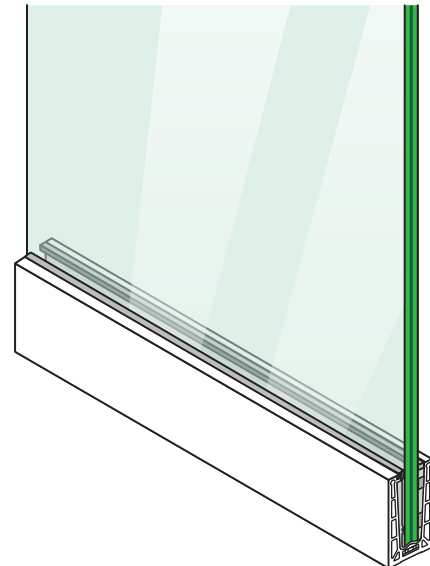
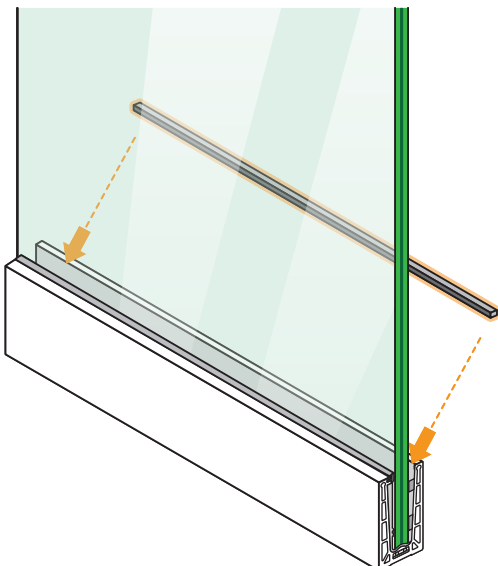
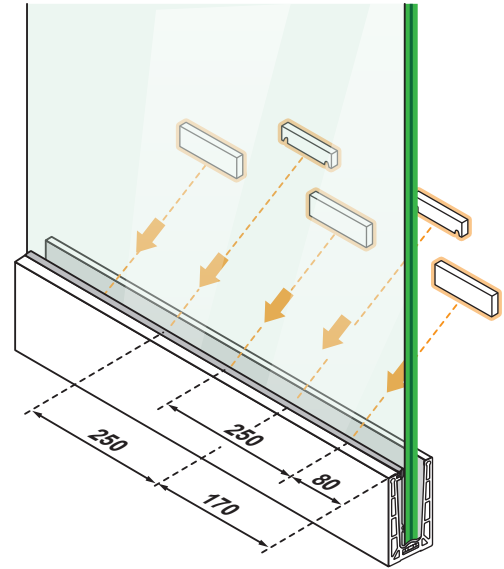
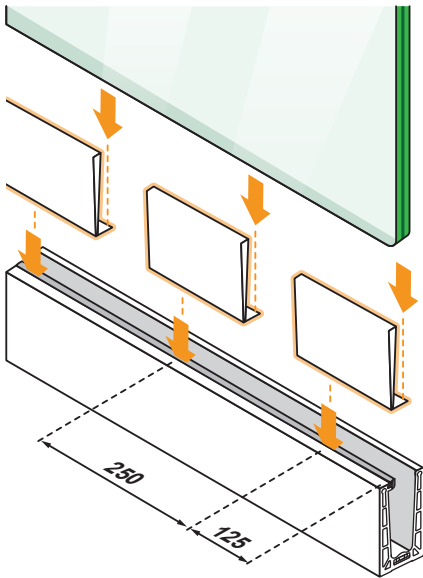
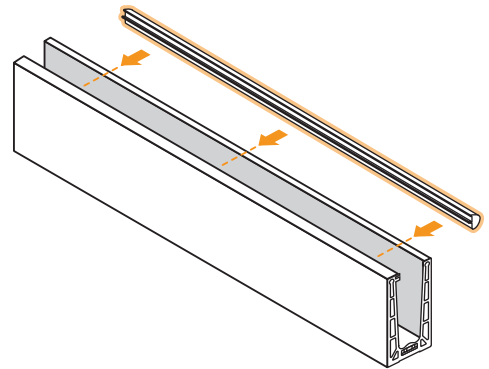
Usage	Light to Medium
Suitable for Stairways	Yes
Certified	Yes
Working Line Load (kN/m)	0.74
Weight (per metre)	7.40 kg
Glass Thickness (mm)	12mm to 21.52mm
Cladding Possible	Yes

Top Mount Frameless Pro Glass Balustrade

Visit www.s3i.co.uk/top-mount-frameless-pro-glass-balustrade.php to view our installation video



2.5 metre X = 50mm)
5 metre X = 100mm

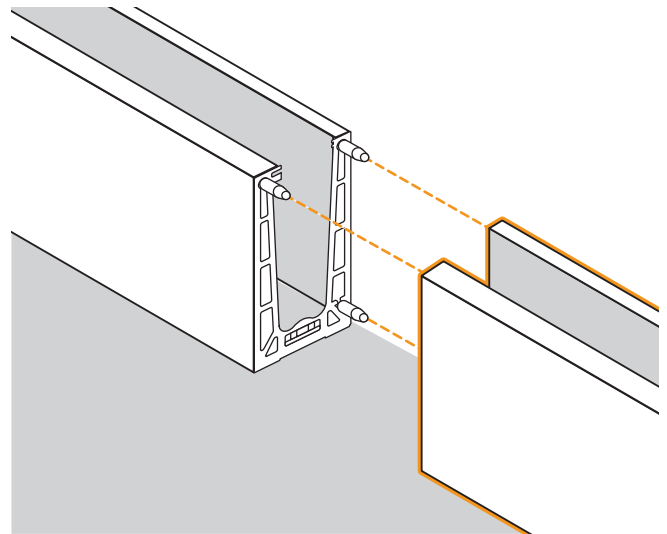
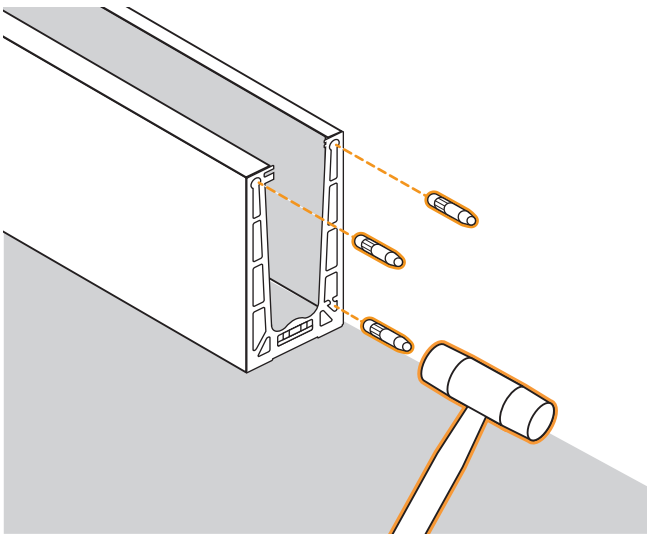


Top Mount Frameless Pro Glass Balustrade

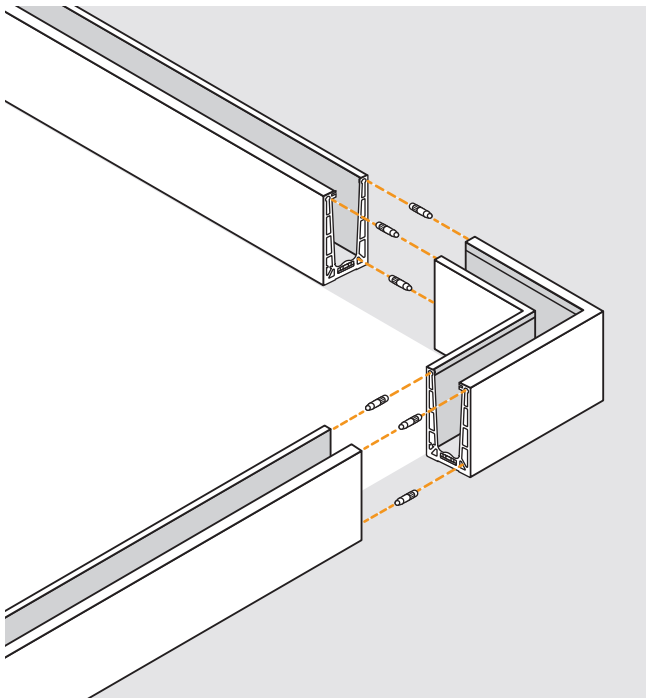
Visit www.s3i.co.uk/top-mount-frameless-pro-glass-balustrade.php to view our installation video

Connection Advice - Top Mount Frameless Pro Glass Balustrade

Top mount base profiles are joined together using three pin connectors, simply insert pins into your first profile and tap into place with a rubber hammer. You can position and push your next base profile on to the pins.



Inner Corner



Outer Corner

