

Fascia Mount 'Y' Shaped Frameless Pro Glass Balustrade

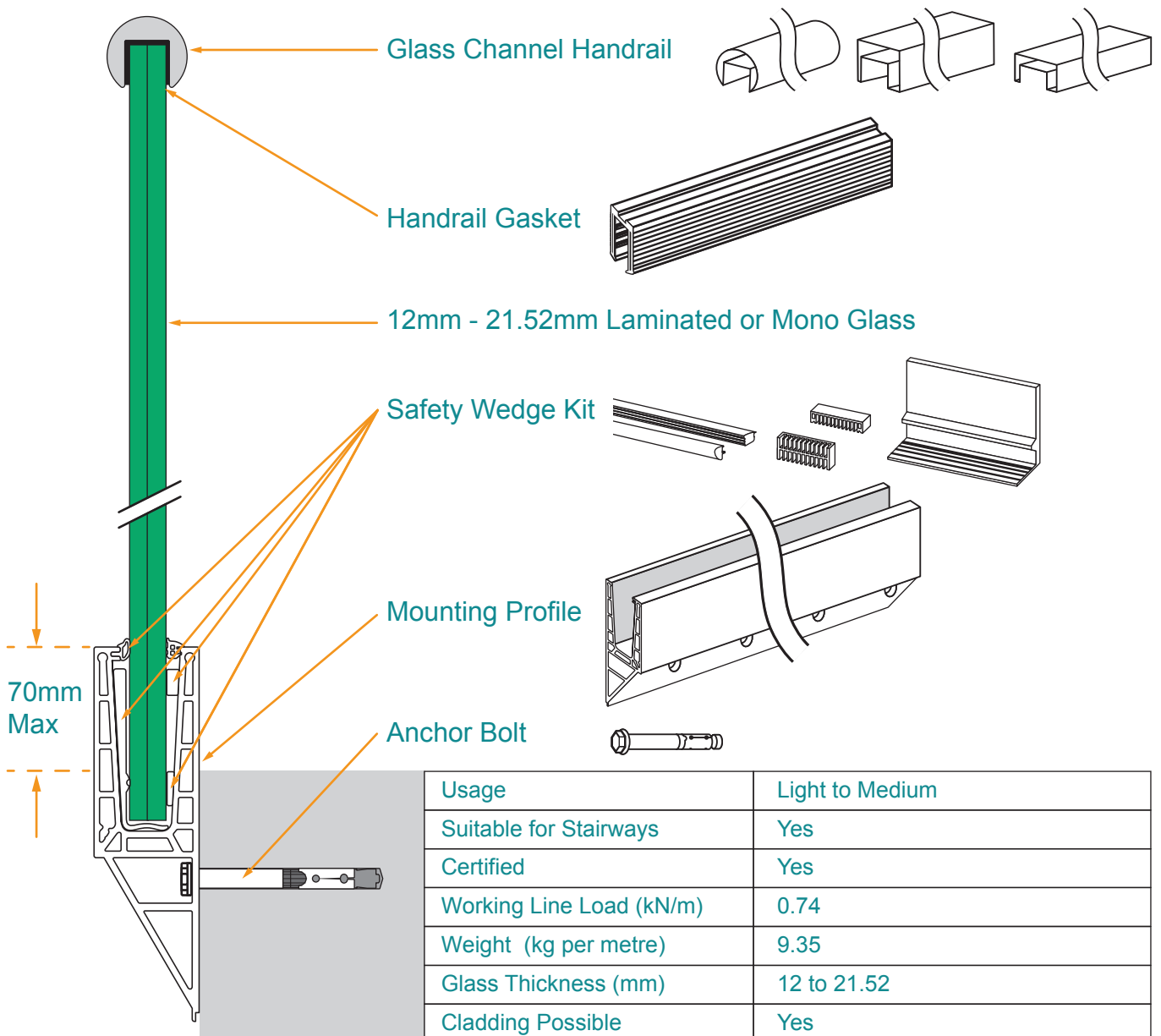
- Profiles are manufactured in Aluminium to a brushed stainless steel effect.
- Can be mounted upto 70mm above the mounting surface.
- Connection pins for easy alignment and connection of base units.
- Adjustable safety wedge assembly system - for perfect glass alignment.
- Suitable for indoor and outdoor installation.
- Integrated water drainage system.

Mounting Advice

Any quoted figures about the performance of these products relate to installing into concrete.

Please take advice from an engineer or specialist when installing into any other material, such as timber.

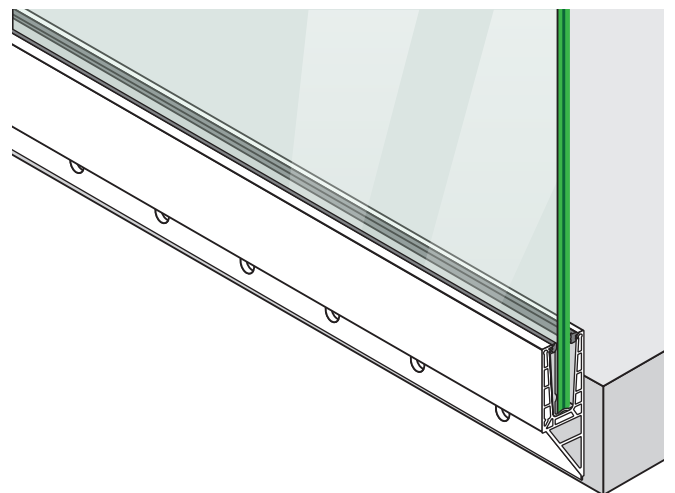
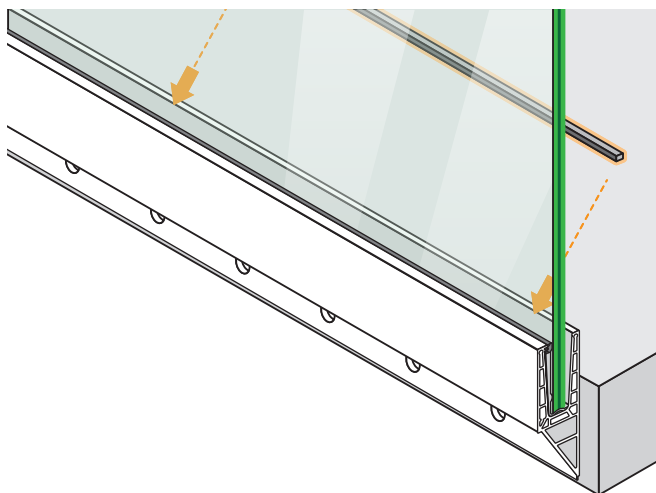
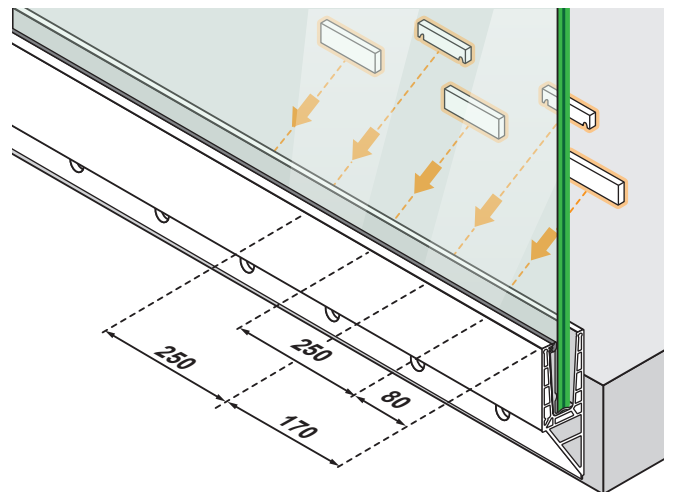
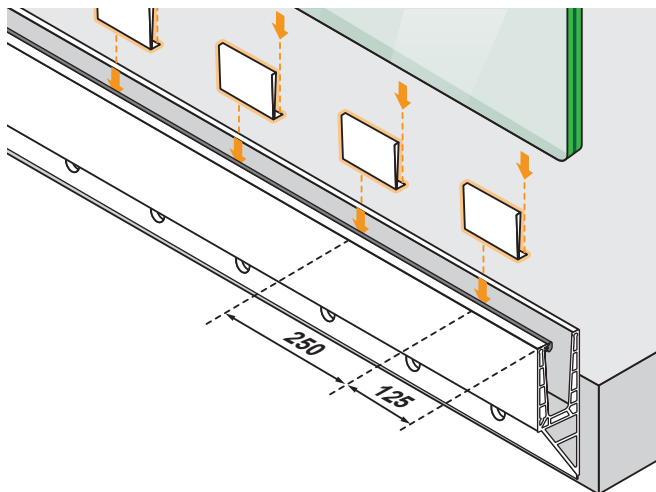
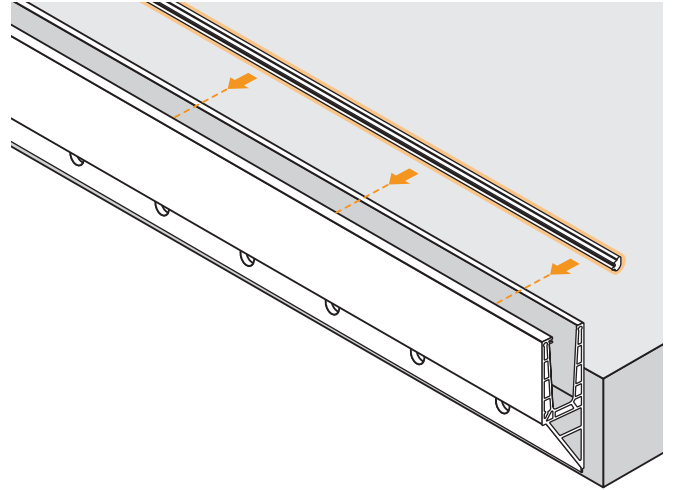
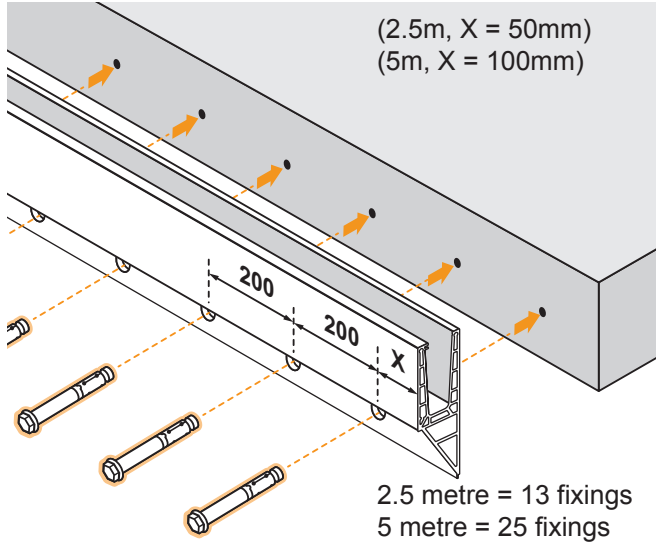
Typical Balustrade Components



Usage	Light to Medium
Suitable for Stairways	Yes
Certified	Yes
Working Line Load (kN/m)	0.74
Weight (kg per metre)	9.35
Glass Thickness (mm)	12 to 21.52
Cladding Possible	Yes

Fascia Mount 'Y' Shaped Frameless Pro Glass Balustrade

Visit www.s3i.co.uk/fascia-mount-y-shape-frameless-pro-glass-balustrade.php to view our installation video

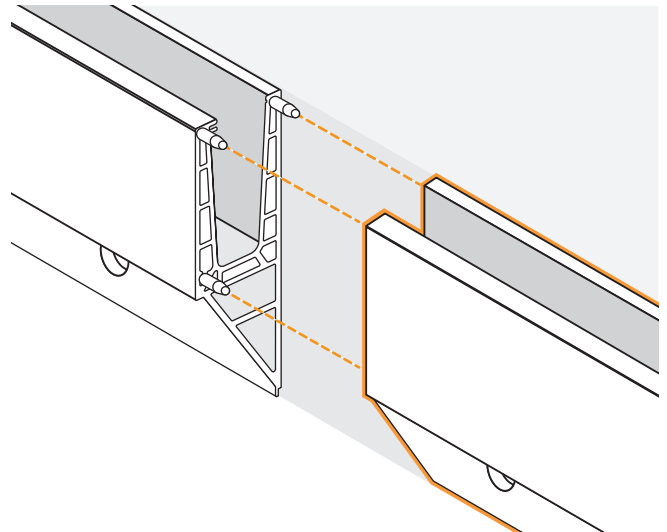
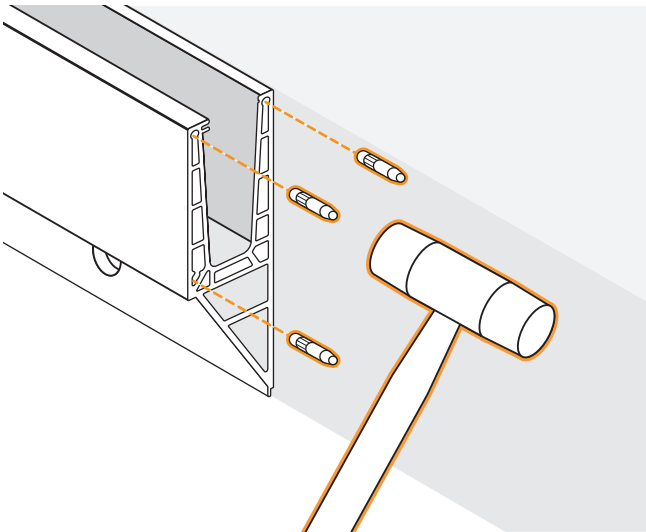


Fascia Mount 'Y' Shaped Frameless Pro Glass Balustrade

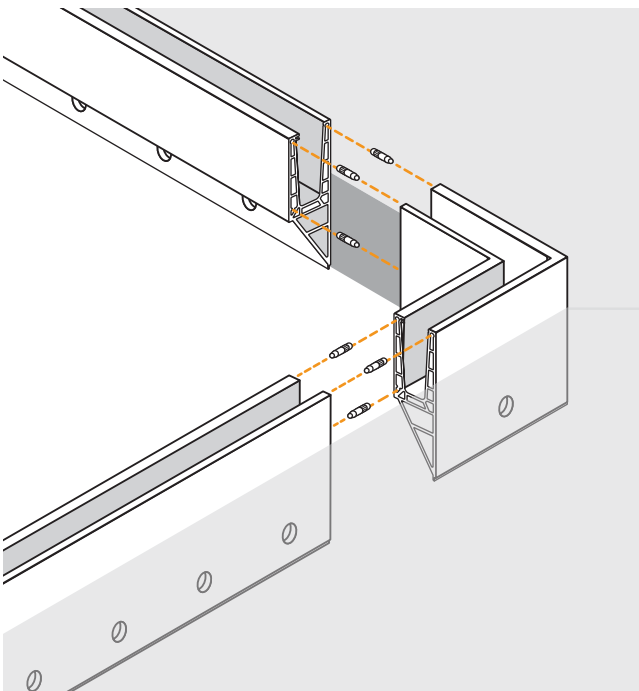
Visit www.s3i.co.uk/fascia-mount-y-shape-frameless-pro-glass-balustrade.php to view our installation video

Connection Advice - 'Y' Mount Frameless Pro Glass Balustrade

'Y' shaped base profiles are joined together using three pin connectors, simply insert pins into your first profile and tap into place with a rubber hammer. You can position and push your next base profile on to the pins.



Inner Corner



Outer Corner

