

Full Height Panel Installation Guide

1190mm x 1780mm Panels

Nb. These instructions are based on in-ground posts being installed with the 100mm side facing front.

Easy installation

If you are installing yourself it's very straightforward, takes two people and installs the same way as a timber fence.

Perfect Fit

Panels are designed to fit most spaces as you have the option of having the posts end-on (50mm wide) or sideways-on (100mm wide), which allows a bit of flexibility if you have a specific space they need to fit into. The clamps also have a degree of tolerance for where they grip the panel, giving you an extra few millimetres per clamp. If you don't want to see the posts, you can front fix the panels by screwing straight into the posts, this also reduces the cost as you don't need any clamps.

Level Changes

Panels easily deal with level changes as the posts come in 2.4m lengths so you can step down most level changes panel-by-panel (posts are not pre-drilled).

Corners

The rectangular shape of the posts means that you can easily manage right-angles by fixing to the other face as you go around a corner. In this instance we suggest you always continue the posts in the same orientation as the post at the corner.

Surface Fixing

If you're securing to a timber deck or a terrace, rather than concreting into the ground, our Terrace Foot provides a solid and secure solution.

Quick Hack

If you are installing Corten steel panels, and the standard panels fall short of the space you have, you can always use a blank panel and cut it down to fit the leftover space, clamped in the same way as the patterned panels – double-check with your installer but they should be able to do this.

Full Height Panel Installation Guide

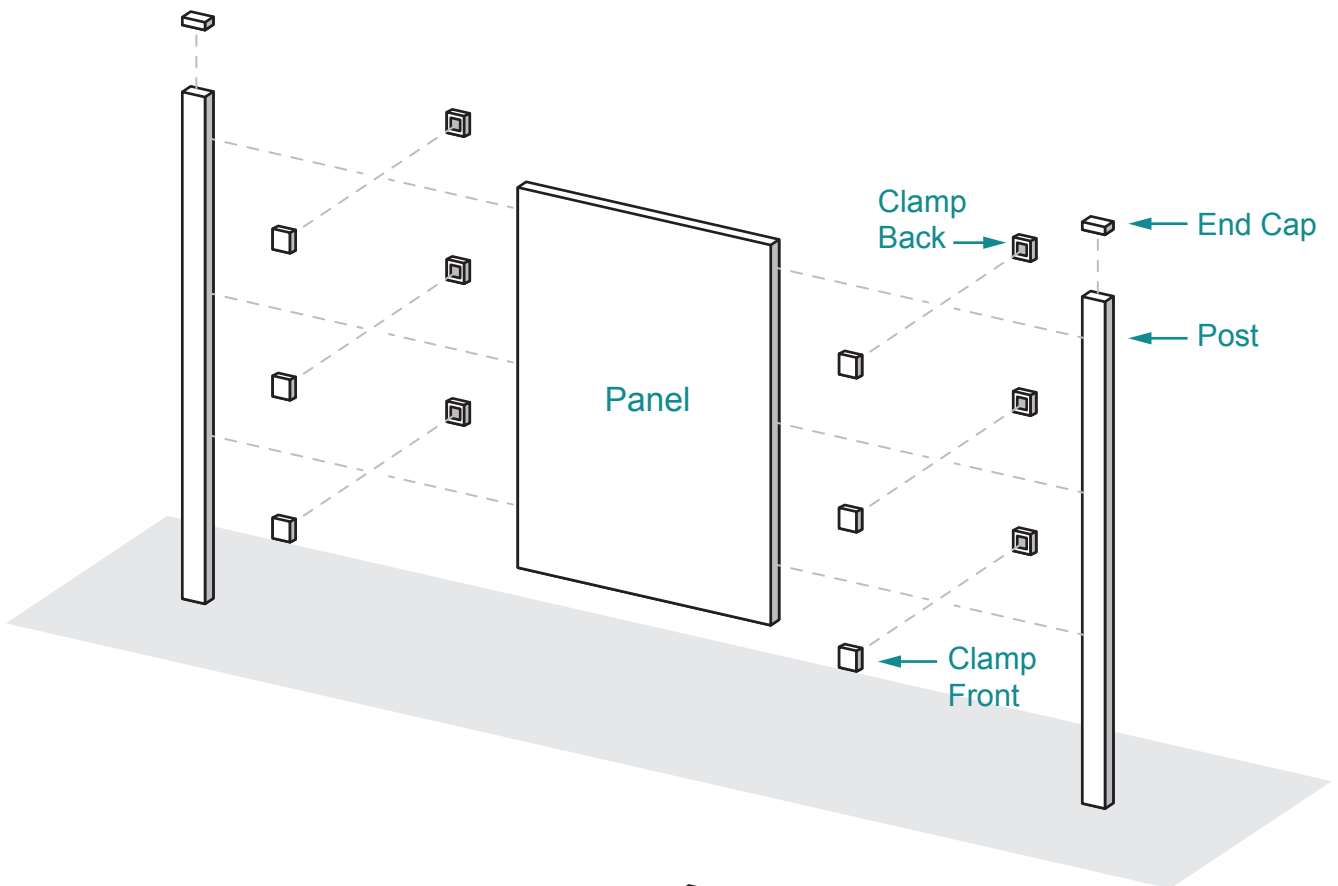
1190mm x 1780mm Panels

Nb. These instructions are based on in-ground posts being installed with the 100mm side facing front.

Components

First (or stand-a-lone) panel will require: 2 x Posts, 6 x Clamps, 2 x End Caps.

Each subsequent panel will require: 1 x Post, 6 x Clamps, 1 x End Cap

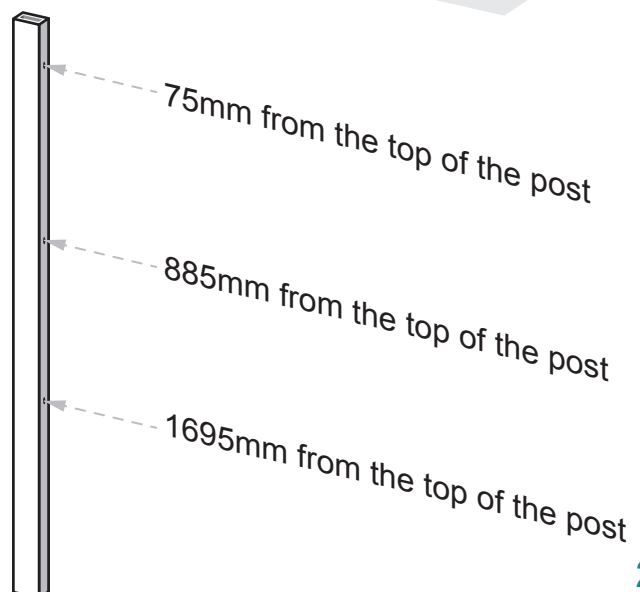


1. Drill Holes for Clamps

Drill three 5.5mm holes into the inside face of each post at the intervals shown:

- 75mm from the top of the post (excl end cap)
- 885mm from the top of the post
- 1695mm from the top of the post

If you prefer you can drill and tap threaded holes.



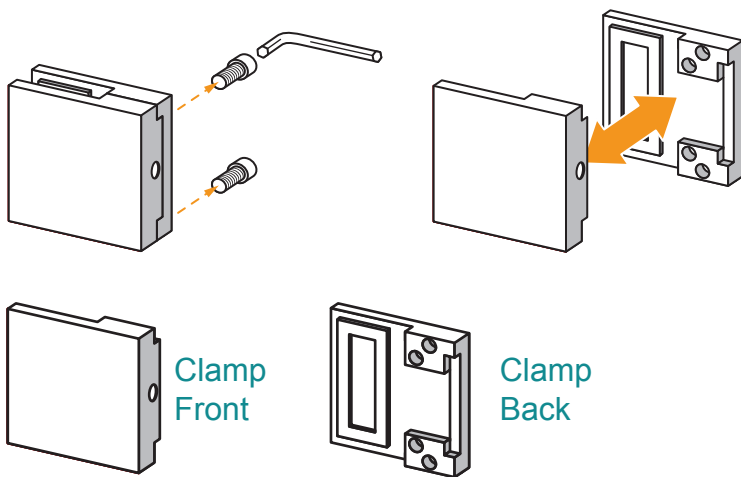
Full Height Panel Installation Guide

1190mm x 1780mm Panels

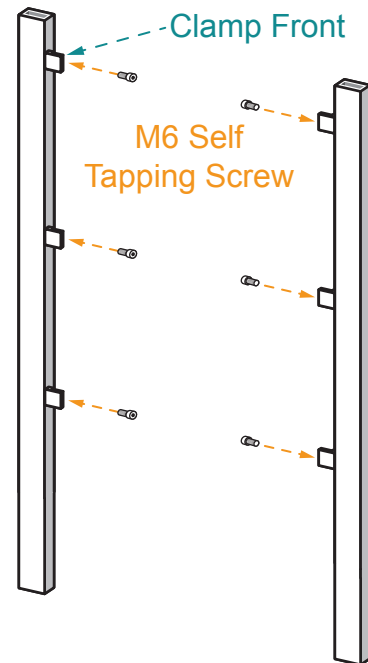
Nb. These instructions are based on in-ground posts being installed with the 100mm side facing front.

2. Clamps

Remove the backs of the clamps using an allen key supplied and separate from the front section.



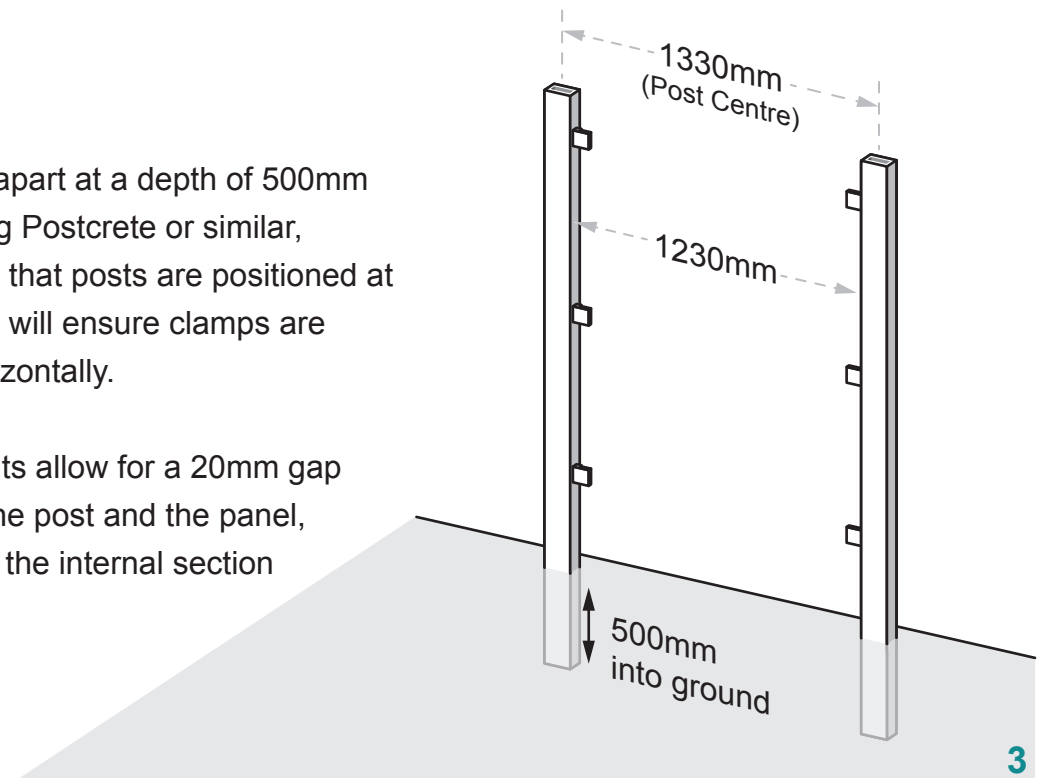
Fix the front of the clamps to the post using the M6 self tapping screws supplied.



3. Set Posts

Set posts 1230mm* apart at a depth of 500mm into the ground, using Postcrete or similar, always double check that posts are positioned at the same height, this will ensure clamps are perfectly aligned horizontally.

*These measurements allow for a 20mm gap each side between the post and the panel, which is the depth of the internal section of the clamp.



Full Height Panel Installation Guide

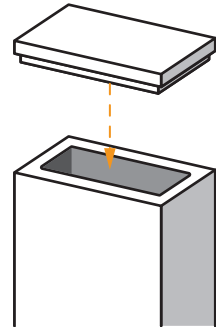
1190mm x 1780mm Panels

Nb. These instructions are based on in-ground posts being installed with the 100mm side facing front.

4. End Caps

Always a good idea to attach your end caps before your panel, this is so you can align your panel perfectly to the top of the end caps.

Using an adhesive such as super glue or a high strength fixative glue the end caps to the top of the post, ensuring a flush fit, this will make your post watertight.

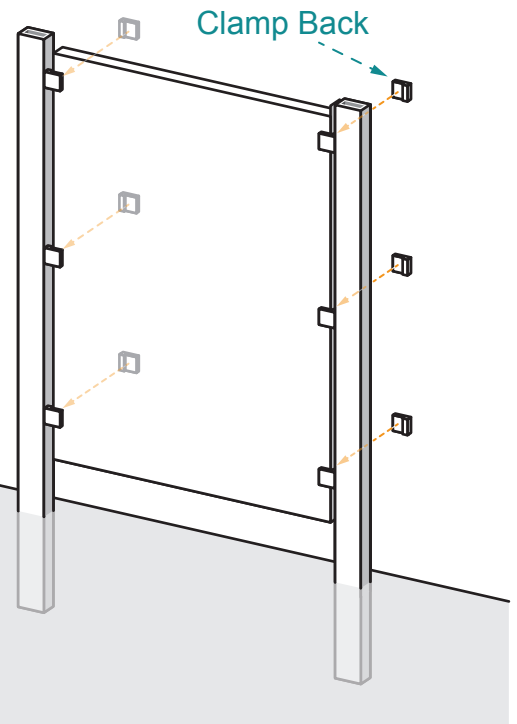


5. Attach Panel

Fix the panel into place level with the top of your posts, ensuring it is level (always level from the top). You can use a variety of temporary support methods under panels, such as timber to help ensure your panel is perfectly aligned.

Once in position, starting with the top clamps fix the back of the clamps firmly in place using the allen key.

The measurement between the panel bottom of the panel and the ground is generally around 125mm, this will vary on uneven ground.



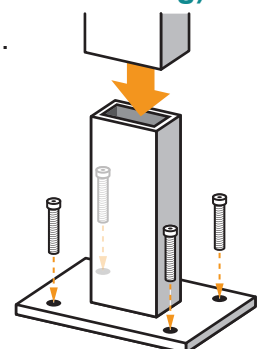
Tip: You might prefer to install your run by putting in one post and positioning the panel next to it so that it acts as a template for your next post's location.

6. Terrace Feet Base Assembly (Optional mount for solid surfaces & decking)

If fixing using terrace feet bases you must trim posts to 1900mm length.

Fix feet to appropriate surfaces using M12 bolts (not supplied), choose a bolt length to suit your fixing surface, we recommend a minimum of 120mm length.

For decking: Please consult your decking installer and ensure you fix to frame substrate below.

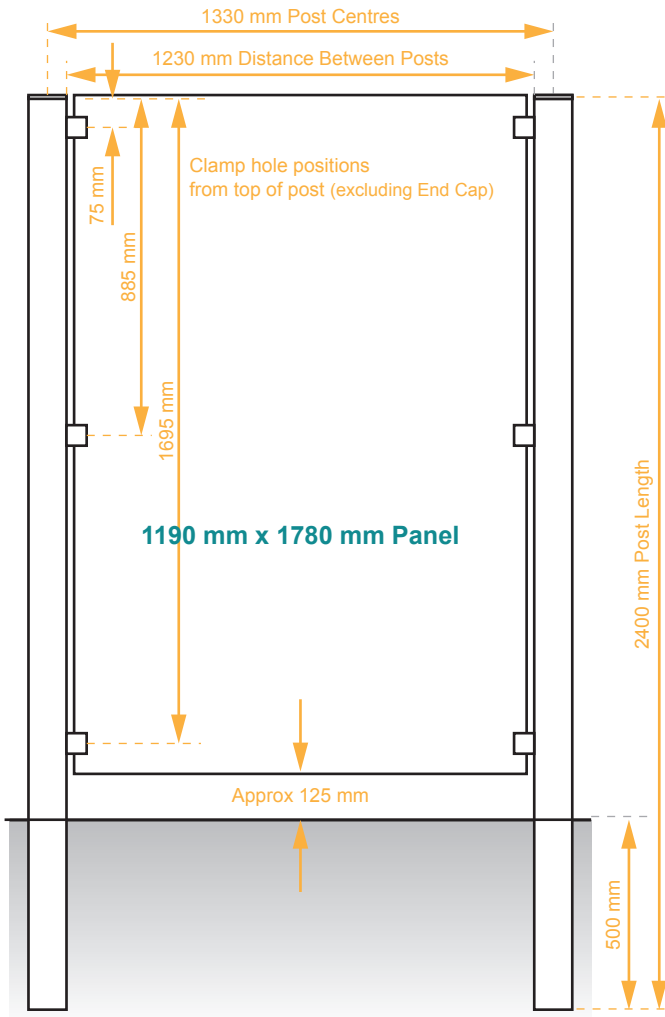


Full Height Panel Installation Guide

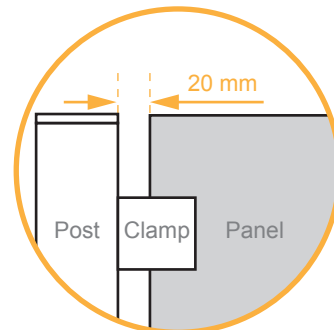
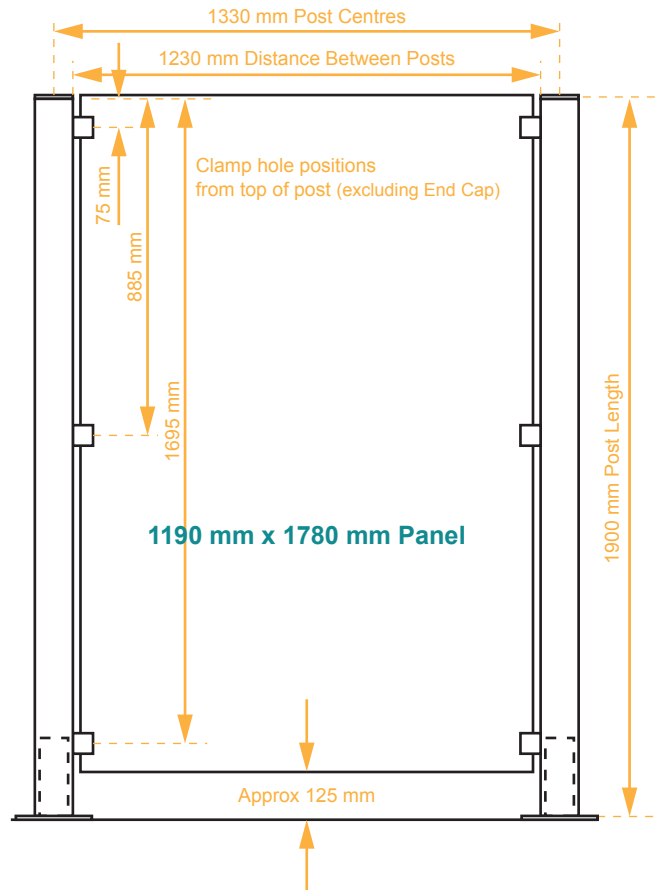
1190mm x 1780mm Panels

Nb. These instructions are based on posts being installed with the 100mm side facing front.

In Ground Mount



Surface Mount Using Terrace Feet



End Cap sits 5 mm above top of post