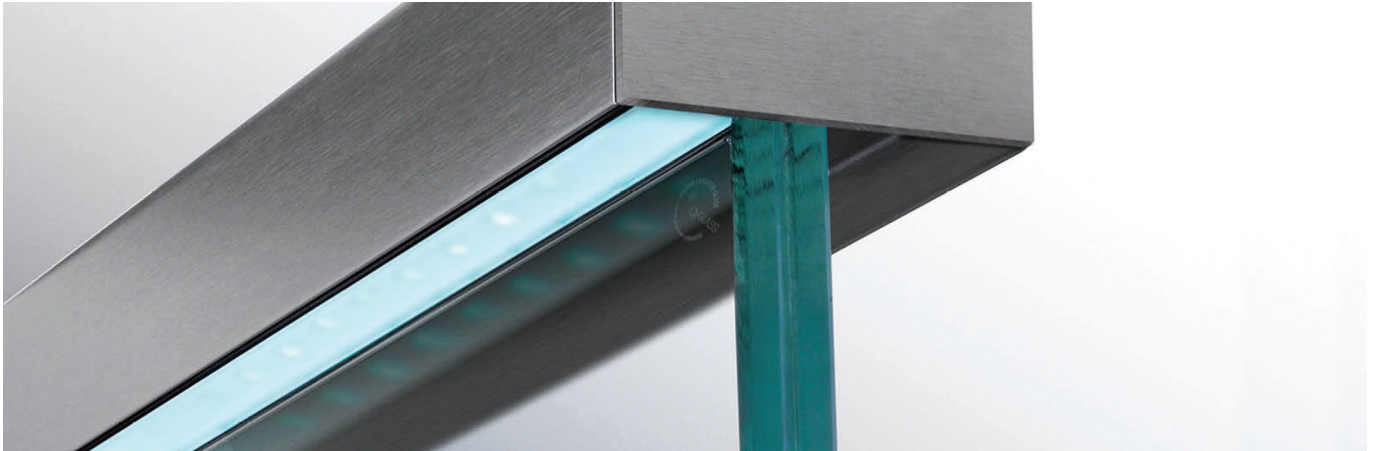


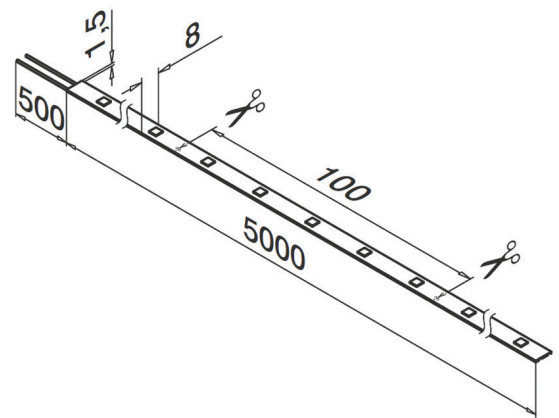
## LED Strip Lights - 24V - 23W - Mod 61



LED strip light designed to fit discreetly within handrail, to create beautiful illuminated walkways.

Long-lasting white LED strip lights, offering a life-time of 35,000 hours, pre-wired at both ends to allow up to two separate connections without the need for an additional cable connector. The “1-click” technology ensures a simple and perfect fit into channel handrail. IP20 rated strip lights are ideal for indoor use only.

Compatible 24V transformer and connection technology also available separately.



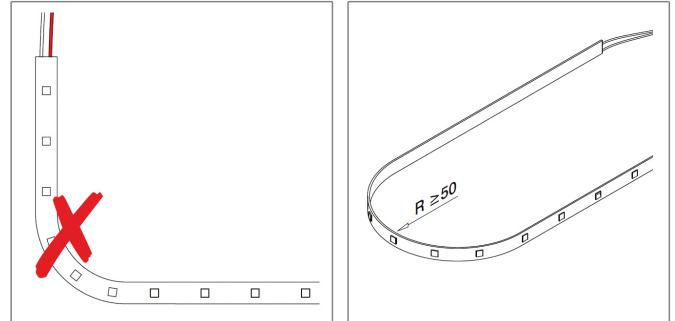
Model: 41.0061.027.00	
Width	8 mm
Colour	Warm white
Colour temperature	2700 K
Height	1.5 mm
Length	5000 mm
Light beam	3100 lm
Model	0061
Safety class	IP20
Input voltage	24V
Usage	Indoor
Watt	23W

Model: 41.0061.065.00	
Width	8 mm
Colour	Cold white
Colour temperature	6500 K
Height	1.5 mm
Length	5000 mm
Light beam	3450 lm
Model	0061
Safety class	IP20
Input voltage	24V
Usage	Indoor
Watt	23W

## LED Strip Lights - 24V - 23W - Mod 61

### LED Strip Information

- Each strip can be cut with scissors, between the copper dots to the required length.
- When connecting strips, the max length from the start to end of the LED strip should not exceed its own original strip length.

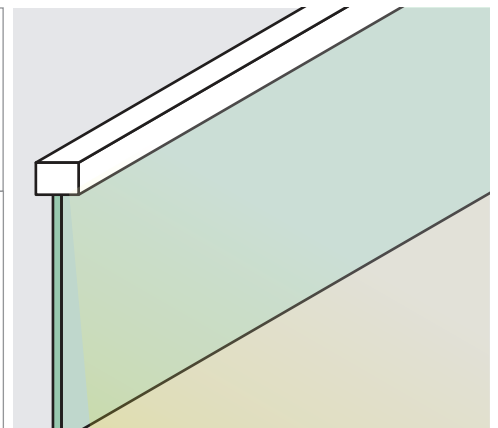


### Safety Information

- Installation of the mains modules has to be carried out by a qualified electrician according to the applicable local regulations and standards.
- Observe correct electrical polarity. Incorrect polarity can destroy the modules.
- Only parallel drive circuits ensure a safe operation.
- Power supply units used for operation should include the following basic protection and safety features:
  - Short Circuit Protection
  - Overload Protection
  - Overheat Protection
  - SELV (Safety Extra Low Voltage)
- Pay attention to the maximum output of the power supply.

### Luminous Efficacy

Model	Height (mm) from finished floor level			
	900	1000	1100	1200
41.0061.027.00	180 lx	158 lx	151 lx	119 lx
41.0061.065.00	223 lx	198 lx	190 lx	153 lx



#### LUX (lx) explained

- Direct sunlight = 100.000 lx
- Overcast day, typical tv studio lighting = 1.000 lx
- Hall lighting = 100 lx
- Street lighting = 10 lx
- Candle, approx 1 m distant = 1 lx

Any lighting calculations shown should be taken as a guide only as all site conditions/lighting codes are different.

It is strongly recommended that you consult with a lighting consultant or electrical engineer to determine the exact requirements for your project.

## LED Strip Lights - 24V - 23W - Mod 61

### Wiring Layout

