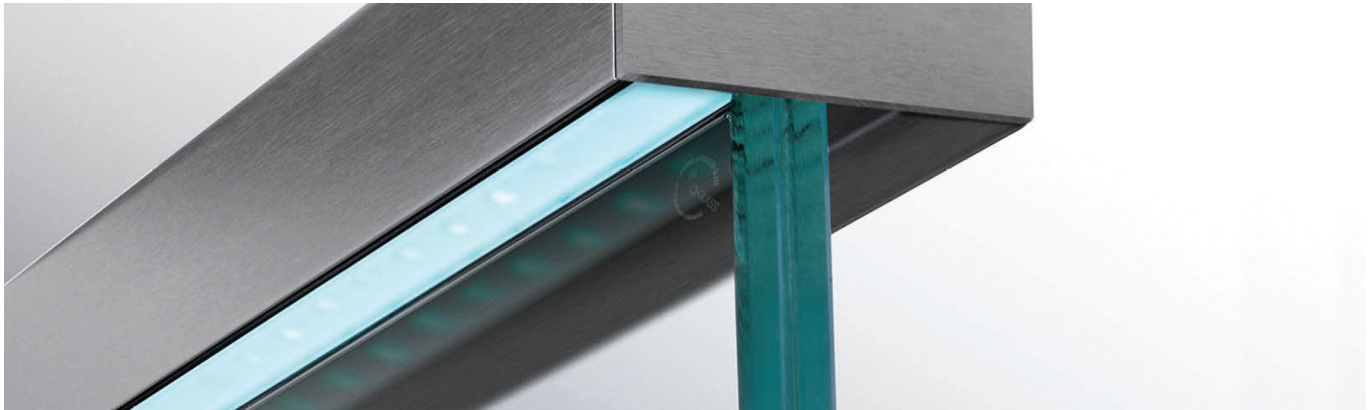


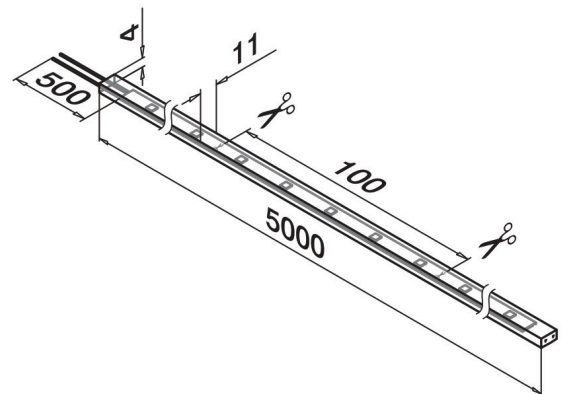
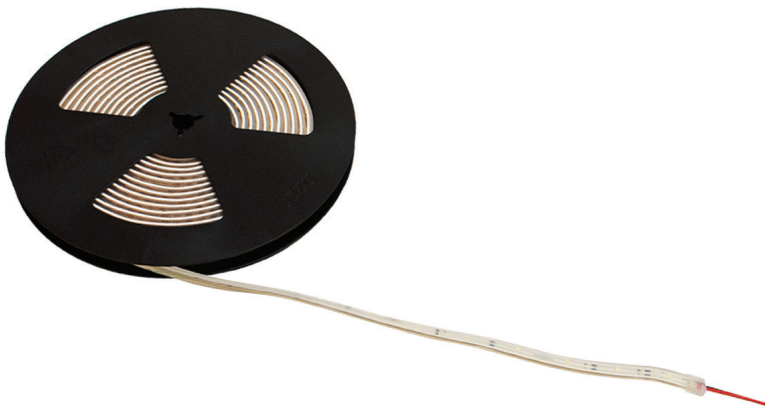
LED Strip Lights - Model 72



LED strip light designed to fit discreetly within handrail, to create beautiful illuminated walkways.

Long-lasting white LED strip lights, offering a life-time of 50,000 hours, pre-wired at both ends to allow up to two separate connections without the need for an additional cable connector. The “1-click” technology ensures a simple and perfect fit into channel handrail. IP66 rated strip lights are ideal for indoor and outdoor use.

Compatible 24V transformer and connection technology also available separately.



Model: 19.0072.050.30

Width	11 mm
Height	4 mm
Length	5000 mm
Safety class	IP66
Nominal voltage	24 V
Nominal wattage	14 W
Nominal wattage per metre	2.8 W/m
Colour temperature	3000 K
Colour	Warm white
Luminous flux	1750 lm
Luminous flux per metre	350 lm/m
Beam angle	120
LED per metre	70
Usage	Outdoor

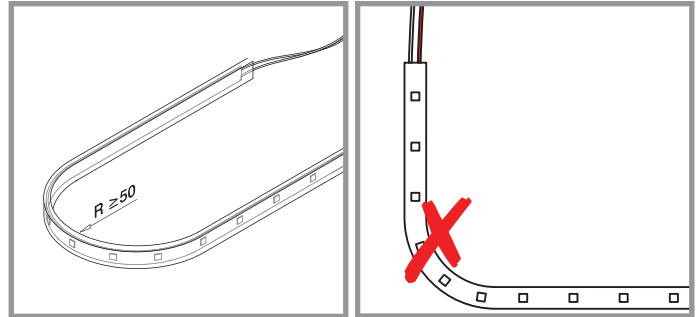
Model: 19.0072.050.65

Width	11 mm
Height	4 mm
Length	5000 mm
Safety class	IP66
Nominal voltage	24 V
Nominal wattage	14 W
Nominal wattage per metre	2.8 W
Colour temperature	6500 K
Colour	Cold white
Luminous flux	1800 lm
Luminous flux per metre	360 lm/m
Beam angle	120
LED per metre	70
Usage	Outdoor

LED Strip Lights - Mod 72

LED Strip Information

- Each strip can be cut with scissors, between the copper dots to the required length.
- When connecting strips, the max length from the start to end of the LED strip should not exceed its own original strip length.

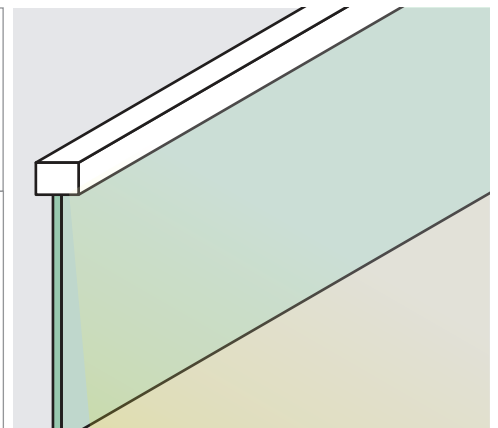


Safety Information

- Installation of the mains modules has to be carried out by a qualified electrician according to the applicable local regulations and standards.
- Observe correct electrical polarity. Incorrect polarity can destroy the modules.
- Only parallel drive circuits ensure a safe operation.
- Power supply units used for operation should include the following basic protection and safety features:
 - Short Circuit Protection
 - Overload Protection
 - Overheat Protection
 - SELV (Safety Extra Low Voltage)
- Pay attention to the maximum output of the power supply.

Luminous Efficacy

Model	Height (mm) from finished floor level			
	900	1000	1100	1200
19.0072.050.30	106 lx	90 lx	75 lx	66 lx
19.0072.050.65	111 lx	94 lx	78 lx	69 lx



LUX (lx) explained

- Direct sunlight = 100.000 lx
- Overcast day, typical tv studio lighting = 1.000 lx
- Hall lighting = 100 lx
- Street lighting = 10 lx
- Candle, approx 1 m distant = 1 lx

Any lighting calculations shown should be taken as a guide only as all site conditions/lighting codes are different.

It is strongly recommended that you consult with a lighting consultant or electrical engineer to determine the exact requirements for your project.

LED Strip Lights - Mod 72

Wiring Layout

