

## Locking Door Patch



**Stainless Steel: 45.2155.000.12**

**Anthracite Black: 45.2155.000.26**

Glass door patch lock with cylinder hole, suitable for frameless glass doors.

Supplied without Lock cylinder profile - available separately.

Available in a choice of

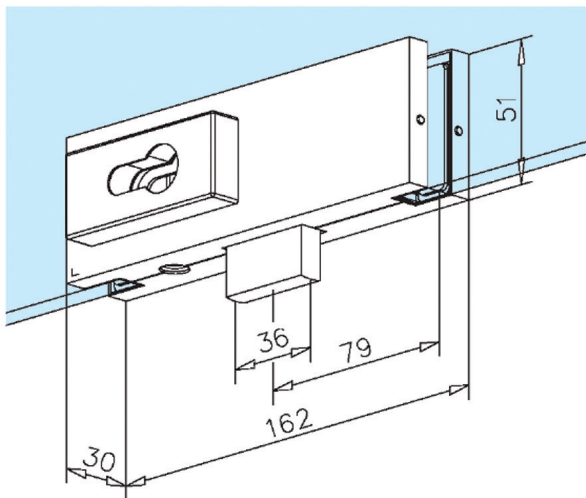
**304** 304 grade stainless steel with a satin finish.  
Ideal for interior use.

**Anthracite** Anthracite (near black) PVD coated finish.  
Ideal for interior use.

**Glass** To fit glass thickness 10mm - 12mm.

**MAX** For door systems up to a maximum of 100kg.

**🔧** Glass will require professional drilling for installation.



**Don't Forget!**  
**You Will Need...**

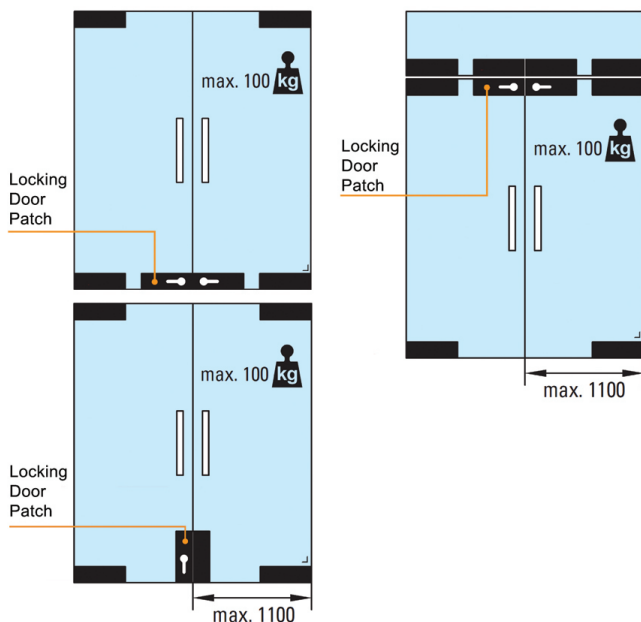
Euro Profile Double Cylinder Lock 30/30mm - available separately.



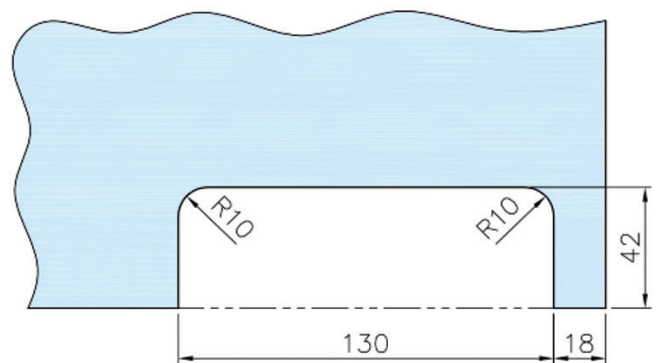
Please click to visit [www.productpage](http://www.productpage) [🌐](#)

## Position

Perfect for a wide range of positions within glass door systems.



## Glass Drilling Template



### IMPORTANT

Glass doors will require professional drilling/cutting at manufacture stage to accept this upper corner door patch fitting.