

Pivot Lifting Eye Bolt - Grade 80

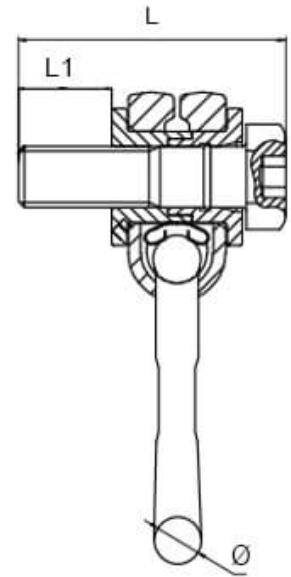
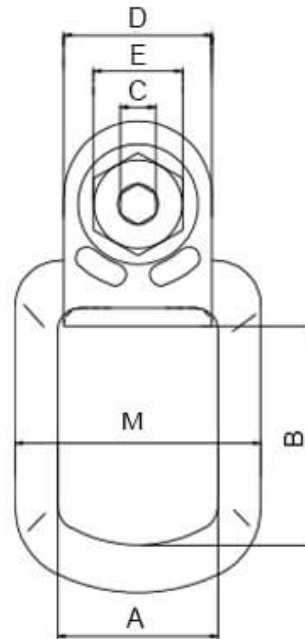
Fatigue rated x 1.5 WLL for 20,000 cycles

Proof Tested - 2.5 times working load limit

100% Magnaflux crack detected

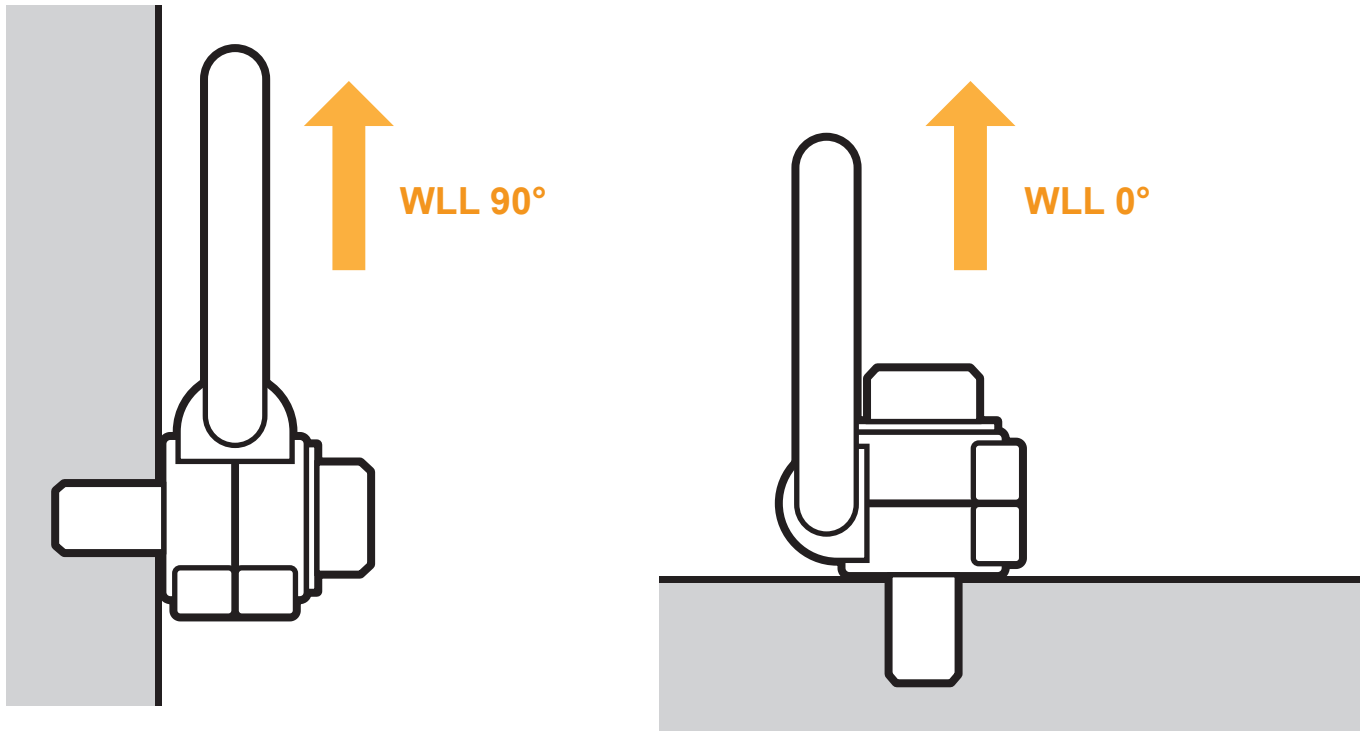
Super alloy steel - Grade 80

Safety factor 4.1



Part Code	TH	Weight kg	WLL (T) 90°	A	B	C	D	E	L	L1	M	Ø
XN173-M08	M8	0.36	0.3	35	52.5	6	30	13	46	10.4	45	14
XN173-M10	M10	0.38	0.63	35	52.5	6	30	17	52	16	45	14
XN173-M12	M12	0.71	1	40	54	8	36	19	62	18	68	18
XN173-M14	M14	0.72	1.2	40	54	8	36	19	66	21	68	18
XN173-M16	M16	0.74	1.5	40	54	8	36	19	70	24	68	18
XN173-M18	M18	1.16	2	54	80	12	50	30	83	26	83	16
XN173-M20	M20	1.19	2.5	54	80	12	50	30	88	30	83	16
XN173-M24	M24	1.35	4	54	94	14	50	36	95	35	83	18
XN173-M27	M27	4.18	4	73	106	17	68	41	120	38	120	27
XN173-M30	M30	4.4	5	73	106	17	68	41	132	48	120	27
XN173-M36	M36	4.65	8	73	106	17	68	41	142	54	120	27
XN173-M42	M42	12.4	15	104	155	24	95	65	179	63	176	40
XN173-M48	M48	13	20	104	155	27	95	75	194	74	176	40

Pivot Lifting Eye Bolt - Grade 80



Size	1 Point 0° (T)	1 Point 90° (T)	2 Point 0° (T)	2 Points 90° (T)	2 Points 0-45° (T)	2 Points 45-60° (T)	3/4 Points 0-45° (T)	3/4 Points 45-60° (T)	3/4 Points Unsym° (T)
M8	0.3	0.3	0.6	0.6	0.42	0.3	0.63	0.45	0.30
M10	0.63	0.63	1.26	1.26	0.88	0.63	1.32	0.95	0.63
M12	1	1	2	2	1.4	1	2.1	1.5	1
M14	1.2	1.2	2.4	2.4	1.68	1.2	2.52	1.8	1.2
M16	1.5	1.5	3	3	2.1	1.5	3.15	2.25	1.5
M18	2	2	4	4	2.8	2	4.2	3	2
M20	2.5	2.5	5	5	3.5	2.5	5.25	3.75	2.5
M24	4	4	8	8	5.6	4	8.4	6	4
M27	4	4	8	8	5.6	4	8.4	6	4
M30	5	5	10	10	7	5	10.5	7.5	5
M36	8	8	16	16	11.2	8	16.8	12	8
M42	15	15	30	30	21	15	31.5	22.5	15
M48	20	20	40	40	28	20	42	30	20