

Swivel Lifting Eye Bolt with Ring - Grade 80

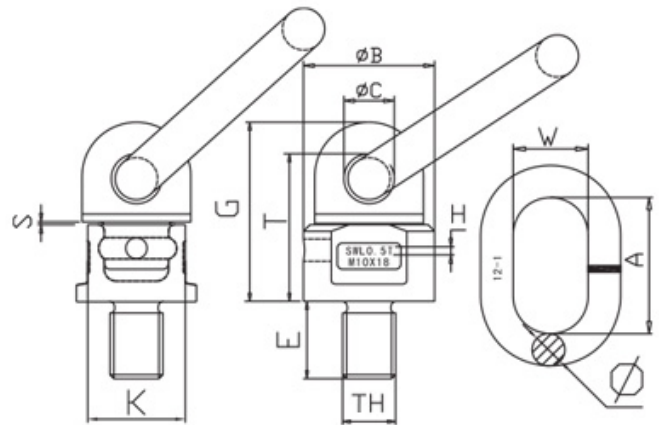
Fatigue rated x 1.5 WLL for 20,000 cycles

Proff Tested - 2.5 times working load limit

100% Magnaflux crack detected

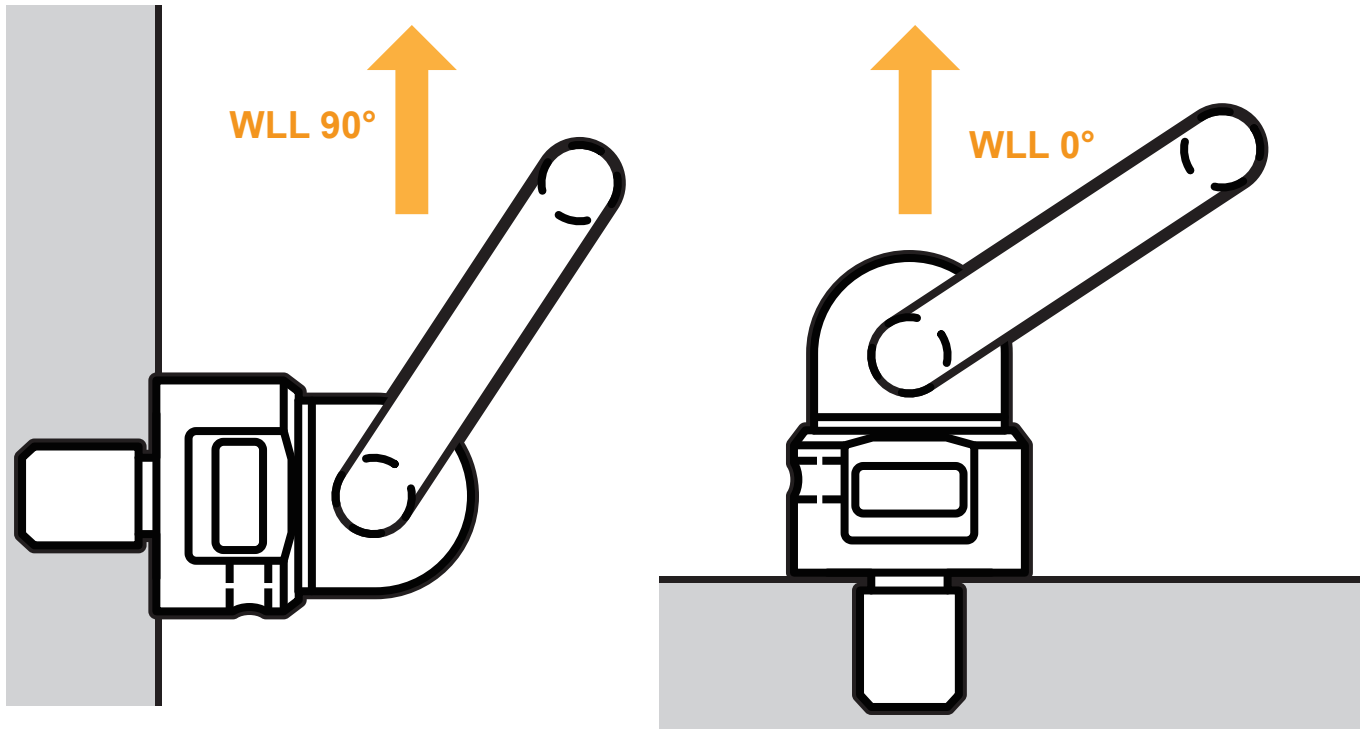
Super alloy steel - Grade 80

Safety factor 4.1



Part Code	TH	Weight kg	WLL (T) 0°	WLL (T) 90°	A	B	C	E	G	H	K	S	T	W	Ø
XN303-M08	M8	0.41	0.6	0.3	55	36	16.5	13	51	3	30	0.5-1	41	30	14
XN303-M10	M10	0.43	1	0.5	55	36	16.5	18	51	3	30	0.5-1	41	30	14
XN303-M12	M12	0.44	1	0.5	55	36	16.5	18	51	3	30	0.5-1	41	30	14
XN303-M16	M16	0.5	2	1.12	55	36	16.5	20	52	3	30	0.5-1	42	30	14
XN303-M20	M20	0.96	4	2	70	49.5	19	30	68	3.5	41	0.5-1	56	35	16
XN303-M24	M24	1.47	6.3	3.15	85	57	22	40	78	3.5	46	0.5-1.5	65.5	40	18
XN303-M27	M27	1.47	6.3	3.15	85	57	22	35	78	3.5	46	0.5-1.5	65.5	40	20
XN303-M30	M30	2.17	10.6	5.3	85	66	23.5	35	96.5	6	64	0.6-2	80.5	40	20
XN303-M36	M36	3.6	12.8	8	115	80	27	50	109	6	64	0.6-2	89.5	50	22
XN303-M39	M39	3.65	12.8	8	115	80	27	50	109	6	65	0.6-2	89.5	50	22
XN303-M42	M42	3.95	16	10	115	80	27	50	109	6	65	1-2.5	89.5	50	25
XN303-M48	M48	4.02	16	10	115	80	27	50	109	6	65	1-2.5	89.5	50	25
XN303-M56	M56	11.8	24	15	152	117	42	84	246	7	95	1-2.5	214	70	32
XN303-M64	M64	12.5	24	15	152	117	42	95	257	7	95	1-2.5	225	70	32

Swivel Lifting Eye Bolt with Ring - Grade 80



Size	1 Point 0° (T)	1 Point 90° (T)	2 Point 0° (T)	2 Points 90° (T)	2 Points 0-45° (T)	2 Points 45-60° (T)	3/4 Points 0-45° (T)	3/4 Points 45-60° (T)	3/4 Points Unsym° (T)
M8	0.6	0.3	1.2	0.6	0.42	0.3	0.63	0.45	0.3
M10	1.0	0.5	2	1	0.7	0.5	1.05	0.75	0.5
M12	1.0	0.5	2	1	0.7	0.5	1.05	0.75	0.5
M16	2.0	1.12	4	2.24	1.57	1.12	2.35	1.68	1.12
M20	4	2	8	4	2.80	2	4.2	3	2
M24	6.3	3.15	12.6	6.3	4.41	3.15	6.62	4.73	3.15
M27	6.3	3.15	12.6	6.3	4.41	3.15	6.62	4.73	3.15
M30	10.6	5.3	21.2	10.6	7.42	5.3	11.13	7.95	5.3
M36	12.8	8	25.6	16	11.2	8	16.8	12	8
M39	12.8	8	25.6	16	11.2	8	16.8	12	8
M42	16	10	32	20	14	10	21	15	10
M48	16	10	32	20	14	10	21	15	10
M56	24	15	48	30	21	15	31.5	22.5	15
M64	24	15	48	30	21	15	31.5	22.5	15