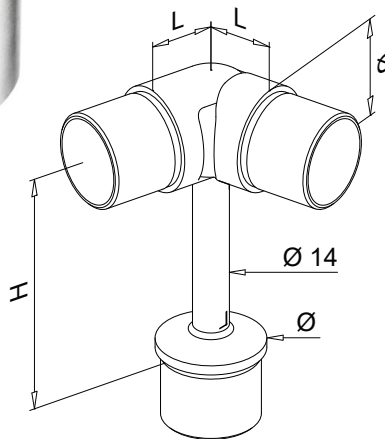


# Adjustable Corner Handrail Saddle



Adjustment  
0 - 70°



## Mod 0736 - Mod 0737

Stainless steel post mounting saddle with horizontal angle adjustable connector for tubular handrail, designed to fit flush into 42.4mm or 48.3mm diameter tube.

Horizontal adjustment of 0° - 70°.

Suitable for internal and external (316 grade stainless steel) applications, finished to a brushed 320 grit satin.

Installation is quick and easy with the use of high strength stainless steel adhesive (not supplied).

### Modular DIY Range

Our most comprehensive and popular range of balustrade components. Produced from high quality stainless steel. All fittings in this range are based upon a wall thickness of 2mm ensuring that your installation is of the highest quality and will stand the test of time.

### Product Information

#### Available Options

Grade: 316 (exterior) stainless steel.

To Fit: 42.4mm diameter tube.

To Fit: 48.3mm diameter tube.

To a brushed 320 grit satin finish.

For full dimensions please visit: <https://www.s3i.co.uk/adjustable-corner-handrail-saddle-0736.php>

## Key Features

- Manufactured from 316 grade stainless steel.
- To fit 42.4mm diameter stainless steel tube.
- To fit 48.3mm diameter stainless steel tube.
- Brushed 320 grit satin finish.
- Adjustment of 0°- 70°
- Requires high strength stainless steel adhesive.

## Care Instructions



We recommend you should treat your stainless steel balustrade on a regular basis to ensure long-lasting perfection. Using either WD-40 or a specialist chemical stainless steel cleaner to remove heavy dirt and rust stains. **Q-Ultra-Clean** rebuilds and strengthens the passive layer of stainless steel.



For fixing into tube we recommend using a high strength **stainless steel adhesive**.

## Design

You can send us your drawings, technical drawings or even a freehand sketch.

From this we'll produce an accurate quotation for you. This service is completely free with no hassle or obligation.

Give us a call for any advice Monday to Friday 9.00am to 5.00pm

Contact us

Email: [info@s3i.co.uk](mailto:info@s3i.co.uk)

Telephone: **01302 752 504**