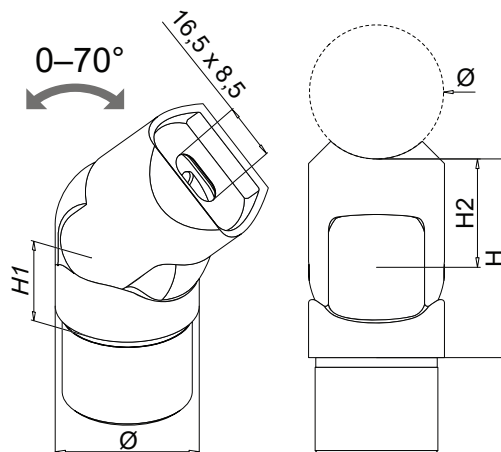


Adjustable Tube Mounting Adapter



Mod 0776 - 0777

Stainless steel tube mount adapter with angle adjustable connector for handrail, provides the perfect solution for handrail on inclines and stairs. Mounting adapter is designed to fit flush into your tube leaving a neat and strong connection.

Available to fit either 42.4mm and 48.3mm diameter tube.

Adjustment of 0° - 70°.

Suitable for internal (304 grade stainless steel) and external (316 grade stainless steel) applications, finished to a brushed 320 grit satin.

Installation is quick and easy; simply gule into post with high strength stainless steel adhesive (not supplied). Handrail is attached using an M8 x 20 hex head screw (not supplied).

Modular DIY Range

Our most comprehensive and popular range of balustrade components. Produced from high quality stainless steel. All fittings in this range are based upon a wall thickness of 2mm ensuring that your installation is of the highest quality and will stand the test of time.

Product Information

Available Options

Grade: 304 (interior) stainless steel.

Grade: 316 (exterior) stainless steel.

To Fit: 42.4mm diameter tube.

To Fit: 48.3mm diameter tube.

To a brushed 320 grit satin finish.

Design

You can send us your drawings, technical drawings or even a freehand sketch.

From this we'll produce an accurate quotation for you. This service is completely free with no hassle or obligation.

Give us a call for any advice Monday to Friday 9.00am to 5.00pm

Contact us

Email: info@s3i.co.uk

Telephone: **01302 752 504**

For full dimensions please visit: <https://www.s3i.co.uk/adjustable-tube-mount-adapter-0776.php>

Key Features

304

Manufactured from 304 grade stainless steel.

316

Manufactured from 316 grade stainless steel.

Ø 42.4

To fit 42.4mm diameter stainless steel tube.

Ø 48.3

To fit 48.3mm diameter stainless steel tube.



Adjustment of 0° - 70°



M8 x 20 Hex Head Screw required for installation.



Requires high strength stainless steel adhesive.

Care Instructions



We recommend you should treat your stainless steel balustrade on a regular basis to ensure long-lasting perfection. Using either WD-40 or a specialist chemical stainless steel cleaner to remove heavy dirt and rust stains. **Q-Ultra-Clean** rebuilds and strengthens the passive layer of stainless steel.



For fixing into tube we recommend using a high strength **stainless steel adhesive**.