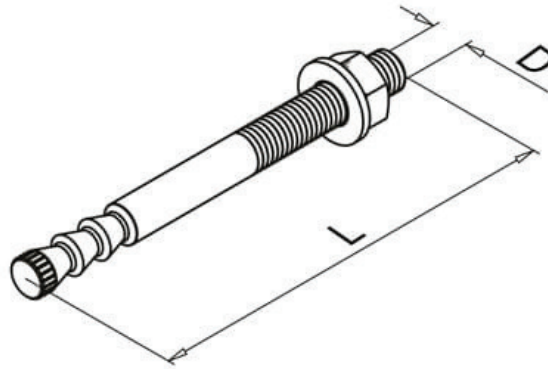


Anchor Bolt - 316 Stainless Steel



Option	Code	D (Thread)	L (mm)	Drill Ø (mm)
M8 x 80 Anchor	19.4008.115.14	M8	80	10
M10 x 85 Anchor	19.4010.110.14	M10	85	12
M12 x 120 Anchor	19.4012.125.14	M12	120	12
M12 x 135 Anchor	19.4012.140.14	M12	135	12
M12 x 170 Anchor	19.4012.225.14	M12	170	14

A note about dimensional information

Please be aware that dimensions published on our site should be treated as indicative.

We publish dimensions to the best of our ability, however manufacturers can, from time to time, make small alterations to their designs.

If your dimensional criteria is critical please do contact us prior to making your purchase to let us know and we will do our best to fulfil your requirements.