

Black Balustrade Wire - Flat Mount Installation Advice

Each balustrade wire kit consists of :

- 4mm Ø 7x7 blackened stainless steel wire rope.
- Two mounting sockets.
- One compression ball.
- One adjustable tensioner with lock nut.
- Two stainless steel wood thread screws.

Chemically blackened finish with all components manufactured from 316 (marine) grade stainless steel, making this kit ideal for harsh outdoor conditions.



Preparation :

Before installation we would recommend you consult with your local building control.

Plan your project in advance to ensure you have the correct number of posts, wires and fittings remembering to take into consideration end post and corner post termination clearance and position.

Wire cables should be spaced a maximum of 100mm apart.

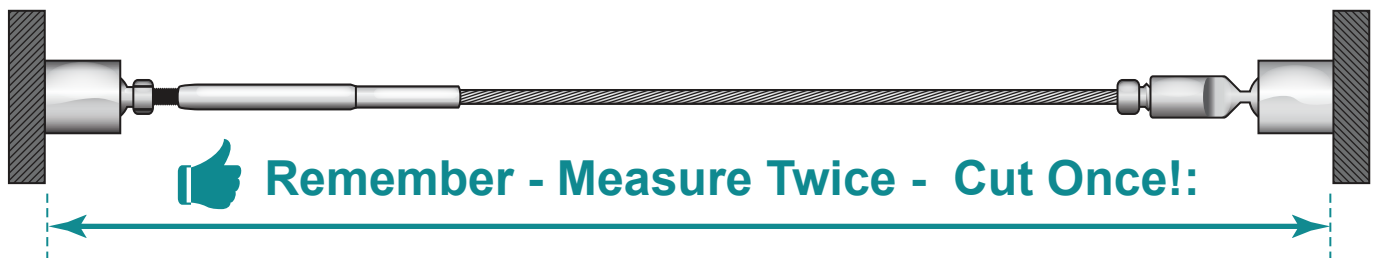
Vertical posts should be spaced at recommended 1.5 metre intervals (up to a max of 2 metres) to ensure a strong frame.

Note :

This deck balustrade wire system is designed for either timber posts or masonry wall surfaces using 70mm countersunk wood screws (supplied).

For timber drill a 3mm pilot hole.

If mounting to masonry surfaces please drill a hole using a 7mm drill bit and insert a plastic plug (not supplied) before fastening. Sometimes if a wall is particularly brittle or old - a chemical resin could be applied to further strengthen the hold.



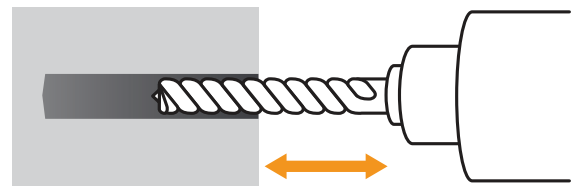
1 Getting Started

It is a good idea to layout your design onto the relevant surface with a pen or chalk prior to drilling any holes.



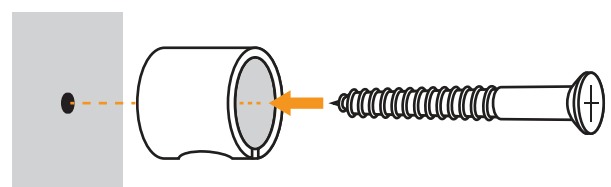
2 Drill Pilot Holes

The wood screws allow for direct installation into hardwood timber (such as oak) or, if combined with the correct plastic plug, it is attachable to almost any masonry surface.



3 Mount Hubs into Position

Using a screwdriver fix the surface mounting hubs using the stainless steel wood thread screws.

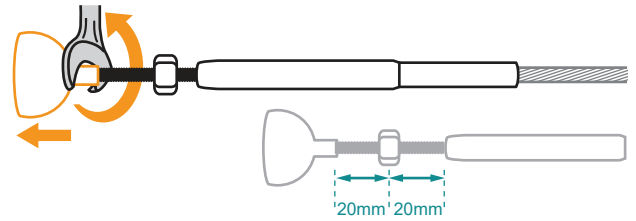


Tip : Position the hub opening facing downwards for a better final look.

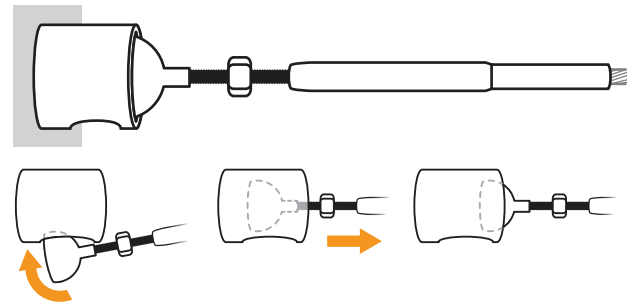
Black Balustrade Wire - Flat Mount Installation Advice

- 4 Prepare Pre-Fixed Ball End**
Starting with the pre-fixed tension ball end, screw out the ball end to reveal approximately 20mm of thread, you will need this to apply your final wire tension once installed.

Each cable has an adjustment of plus or minus 20mm.



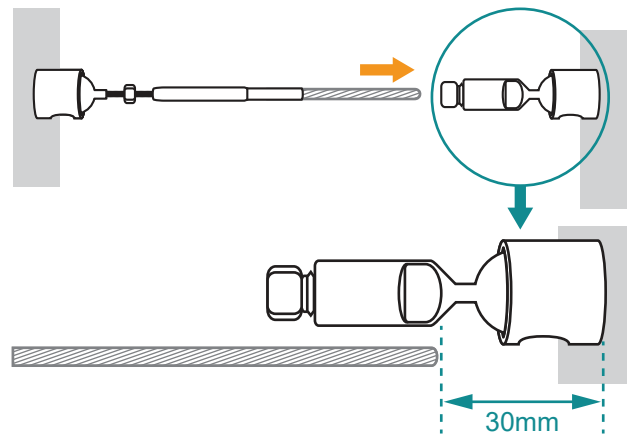
- 5 Mount The Pre-fixed Ball End**
Place the pre-fixed tension ball end into the mounting hub.



- 6 Mark Wire for Cutting**
Place the DIY ball compression fitting into the opposite mounting hub and pull the wire over and align to the spanner flat of the DIY compression fitting.

Mark your wire ready for cutting with either a pen or chalk.

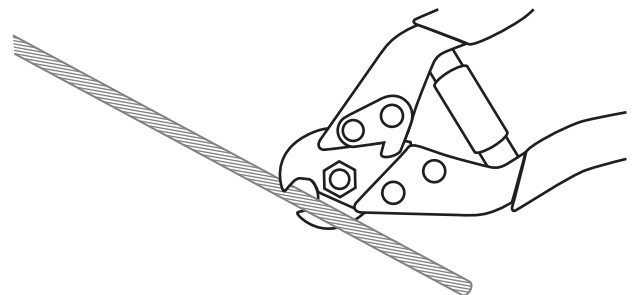
Note: The stand off from the mounting hub is 30mm.



- 7 Cut Wire**
Cut your wire to required length, we recommend using a set of good wire rope cutters to give you a neat and tidy cut.

Remember - Measure Twice, Cut Once!
Please be as accurate as possible.

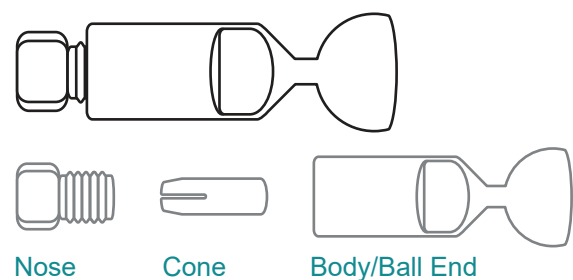
Each cable will have an adjustment of plus or minus 20mm.



- 8 DIY Compression Fitting**
You are now ready to attach the DIY end fitting.

The first step is to take apart your DIY compression fitting.

Simply unscrew the nose piece and remove the cone from inside.

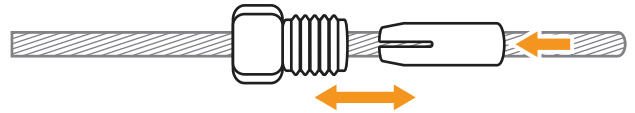


Black Balustrade Wire - Flat Mount Installation Advice

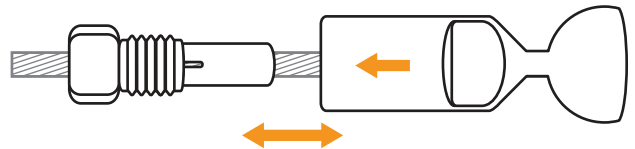
- 9 Thread Nose Piece onto Wire**
Taking the blank wire end place the nose piece over the wire rope (ensuring the thread end is towards the end of your wire).



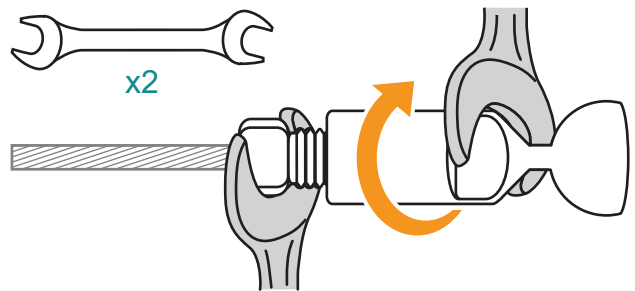
- 10 Thread Cone onto Wire**
Thread the cone onto the wire and push into the threaded cone chamber.



- 11 Place Ball End onto Wire**
Take the stainless steel body and push onto the wire, eventually bringing the three component parts together. Turn in opposite directions to thread them together.

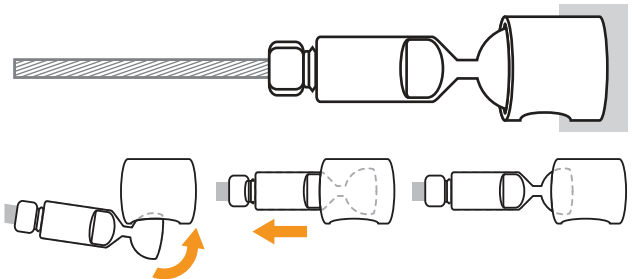


- 12 Secure Ball End Fitting**
Using a pair of 8mm and 9mm spanners screw the two sections together until tight.



- 13 Mounting Ball End Fitting**
Insert the DIY ball end into the fixing hole of the hub.

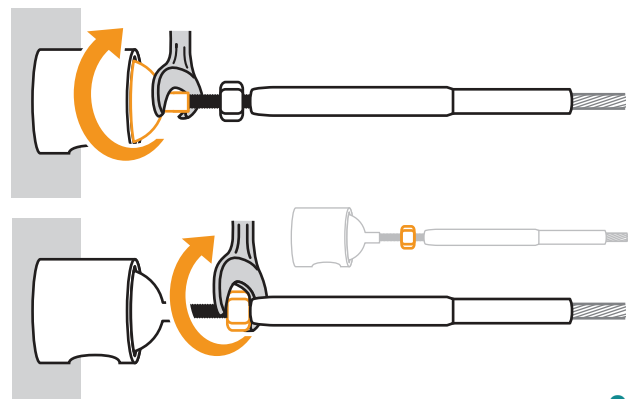
Note: if you require more slack in your wire to insert the DIY end simply return to the fixed end ball and unscrew to expand to the required length.



- 14 Tension Wire**
Returning to the pre-fixed ball end, simply screw the threaded ball end fitting in to achieve the desired wire tension using a 5mm spanner.

Once you have tensioned the wire simply tighten the lock nut into place using a 10mm spanner.

Important - do not allow the wire rope to be twisted.



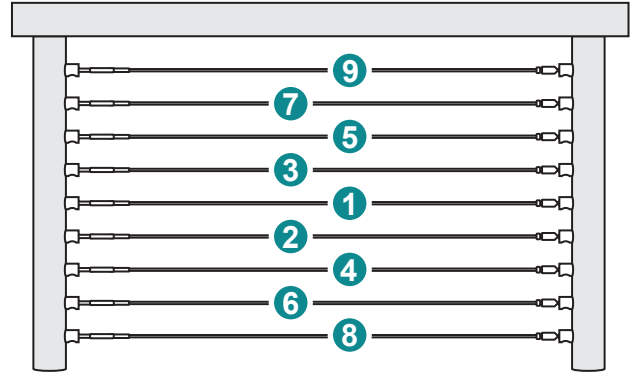
Black Balustrade Wire - Flat Mount Installation Advice

Tensioning Sequence

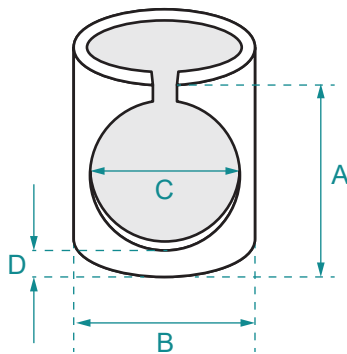
To tension the balustrade wires, we recommend starting from the centre and working out.

Do not fully tighten individual wires as this will create uneven tension throughout your system, just tighten enough to hold in place.

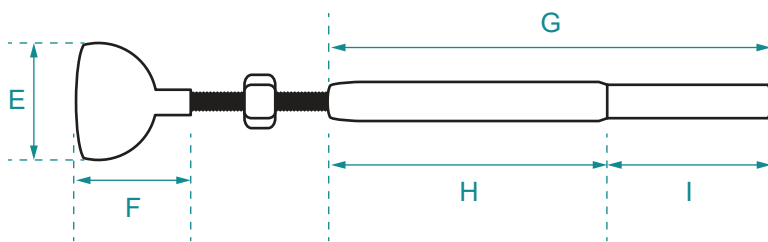
Once all your wires are installed, tighten each wire in turn by slight increments to achieve a solid and fully secure finish.



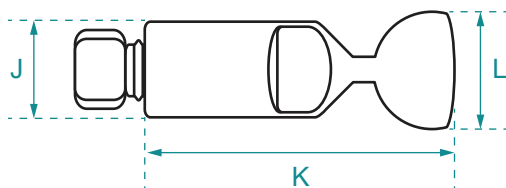
Product Dimensions



- A 22 mm
- B 22 mm
- C 15.5 mm
- D 5 mm



- E 16 mm
- F 17 mm
- G 95 mm
- H 55 mm
- I 40 mm



- J 12 mm
- K 35 mm
- L 16 mm