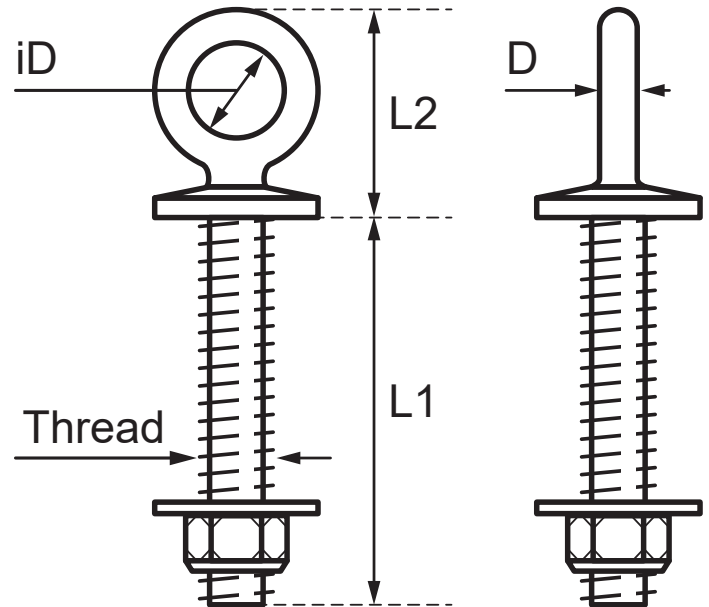


## Collared Eye Bolt - Stainless Steel



Code	Thread (mm)	L1 (mm)	L2 (mm)	iD (mm)	D (mm)
CLEB-M6-060	M6	60	28	12	5
CLEB-M8-080	M8	80	32	14	6
CLEB-M10-060	M10	60	40.5	20	8
CLEB-M10-100	M10	100	38	16	7
CLEB-M12-100	M12	100	42	18.5	9

### A note about dimensional information

Please be aware that dimensions published on our site should be treated as indicative.

We publish dimensions to the best of our ability, however manufacturers can, from time to time, make small alterations to their designs.

If your dimensional criteria is critical please do contact us prior to making your purchase to let us know and we will do our best to fulfil your requirements.