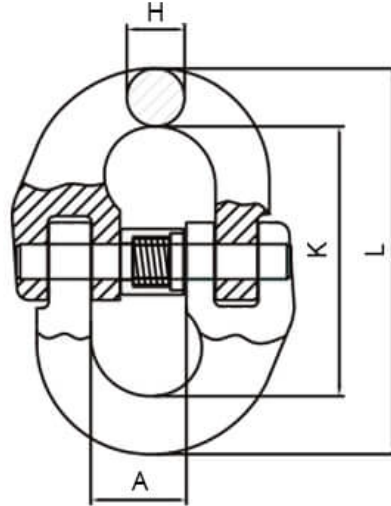


## Connecting Link for Lifting Chain - Grade 100 - Alloy Steel



Code	Chain Ø (mm)	WLL (tonne)	Weight (kg)	A (mm)	H (mm)	K (mm)	L (mm)
XN1001-06	6	1.4	0.11	14	7	44.5	60
XN1001-08	8	2.5	0.22	18.5	10	61.5	82.5
XN1001-10	10	4	0.45	23	12.6	72	97.2
XN1001-13	13	6.7	1.15	28	16.5	92	125
XN1001-16	16	10	1.7	33.5	20	107	147
XN1001-20	20	16	2.8	42	25	122	172
XN1001-22	22	19	4	48	27	136	191
XN1001-26	26	26.5	5.61	61	32	164	229
XN1001-32	32	39.3	8.5	80	40	194	279

A note about dimensional and loading information

Please be aware that dimensions and loads published on our site should be treated as indicative.

We publish this information to the best of our ability, however manufacturers can, from time to time, make small alterations to their designs.

If your dimensional criteria is critical please do contact us prior to making your purchase to let us know and we will do our best to fulfil your requirements.