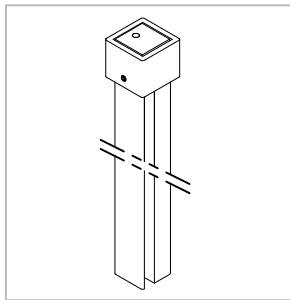
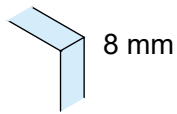


Corner Post - Shower Glass Partition Walls



Options:



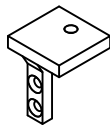
NO glass-machining needed

Weight: 2,5 kg

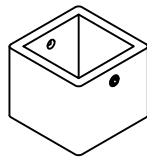
Finish: Chrome Design Anthracite Black Design Matt Brass Effect Design

Scope of Supply:

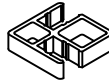
1x



1x



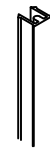
1x



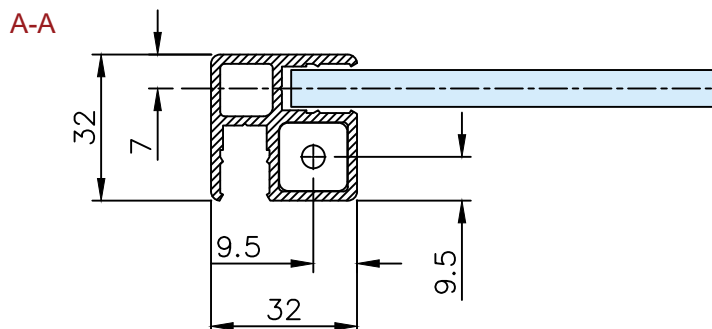
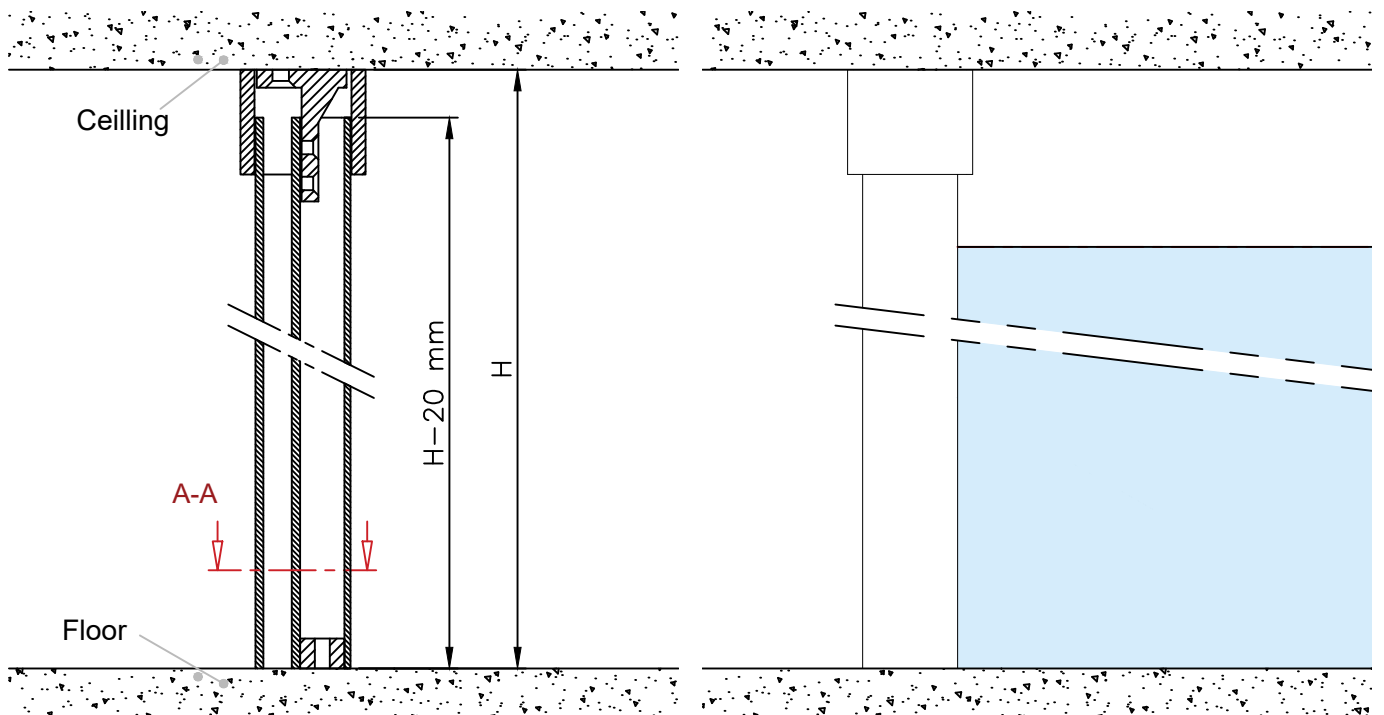
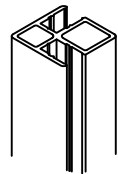
1x



2x 960 mm

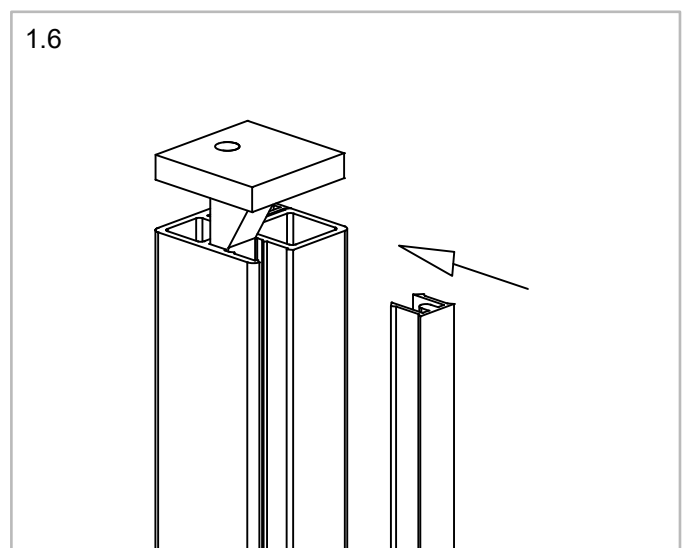
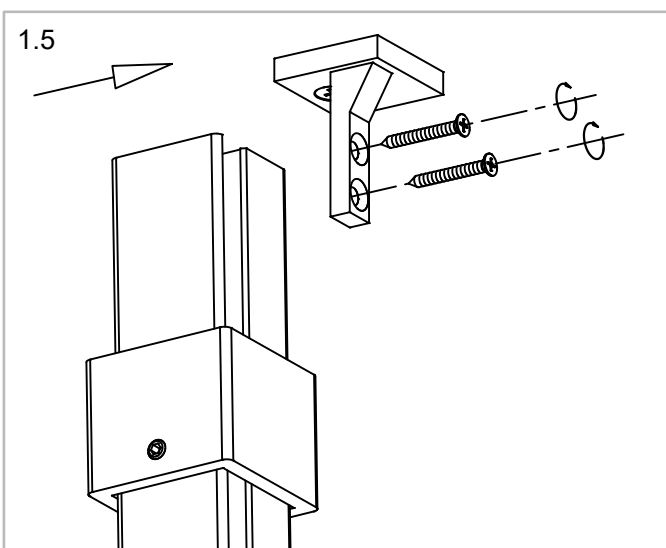
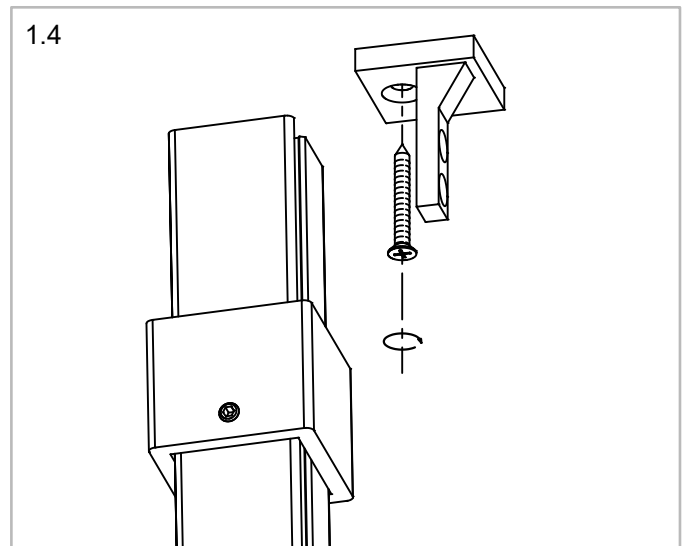
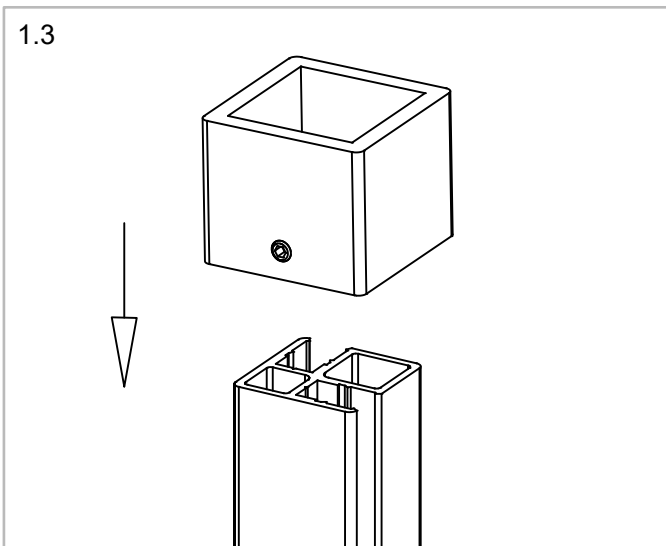
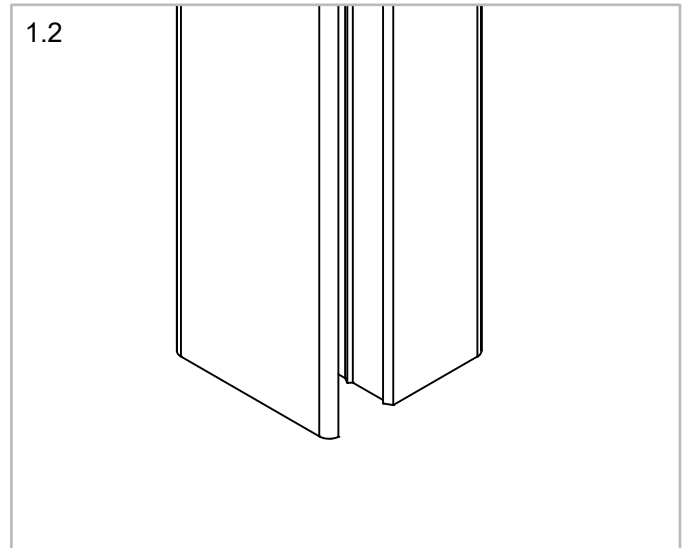
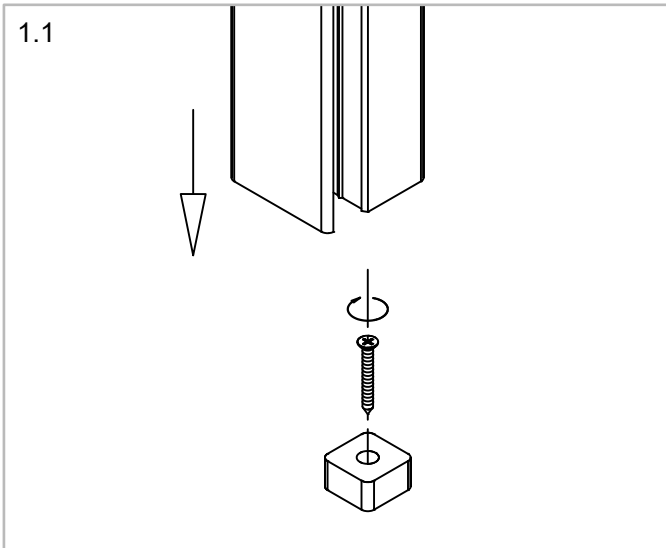


1x 2700 mm



Corner Post - Shower Glass Partition Walls

Assembly:



Corner Post - Shower Glass Partition Walls

Assembly:

