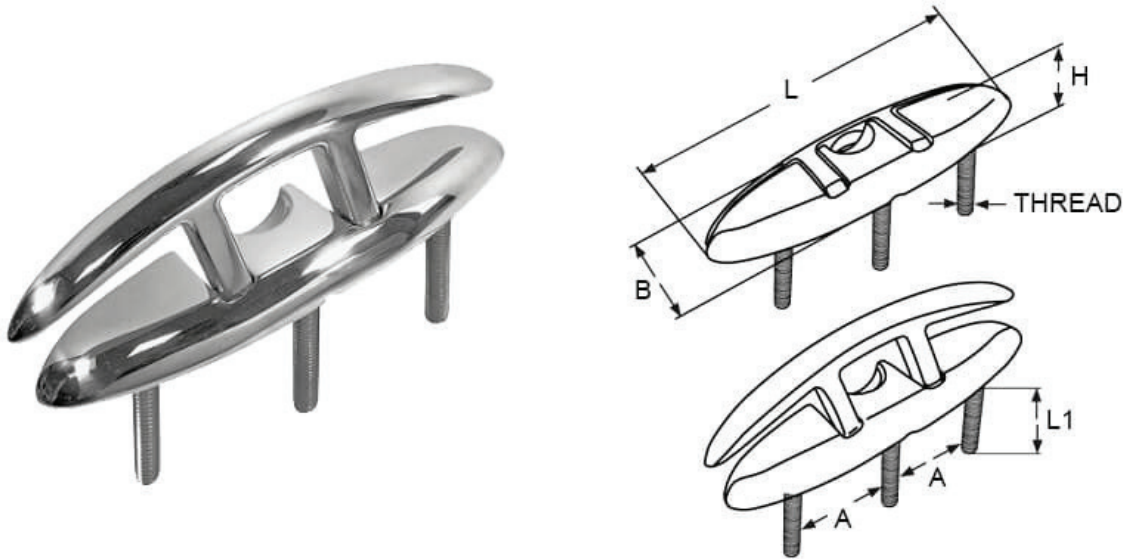


## Folding Deck Cleat - M10 Thread



Code	L (mm)	B (mm)	H (mm)	L1 (mm)	A (mm)	Thread
DCFT-155	155	55	14	51	43	M8
DCFT-200	200	73	15	62	57	M10

### A note about dimensional information

Please be aware that dimensions published on our site should be treated as indicative.

We publish dimensions to the best of our ability, however manufacturers can, from time to time, make small alterations to their designs.

If your dimensional criteria is critical please do contact us prior to making your purchase to let us know and we will do our best to fulfil your requirements.