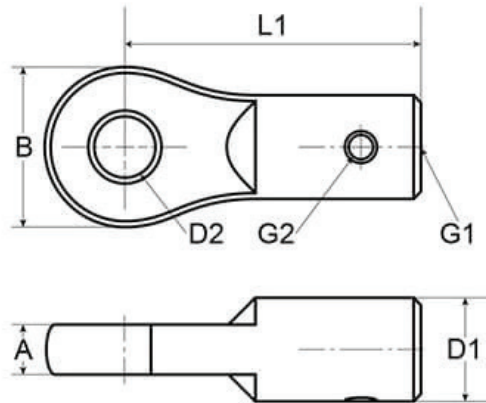


## Eye Terminal - Inside Thread - Wire Rope Fitting



Code	G1 (mm)	G2 (mm)	L1 (mm)	A (mm)	B (mm)	D1 (mm)	D2 (mm)	Break Load (kg)
ITE-5/16	5/16	M4	39.5	6.5	21.7	14	8.5	2350
ITE-3/8	3/8	M4	41	9	21	15	9.8	3500
ITE-7/16	7/16	M4	58	10	24	18	11.2	4700
ITE-1/2	1/2	M4	60	11.5	29	20	13	5400
ITE-5/8	5/8	M6	88	14	35	28	16.5	10000
ITE-3/4	3/4	M6	99	18	40	30	19.5	13000

A note about dimensional information

Please be aware that dimensions published on our site should be treated as indicative.

We publish dimensions to the best of our ability, however manufacturers can, from time to time, make small alterations to their designs.

If your dimensional criteria is critical please do contact us prior to making your purchase to let us know and we will do our best to fulfil your requirements.