

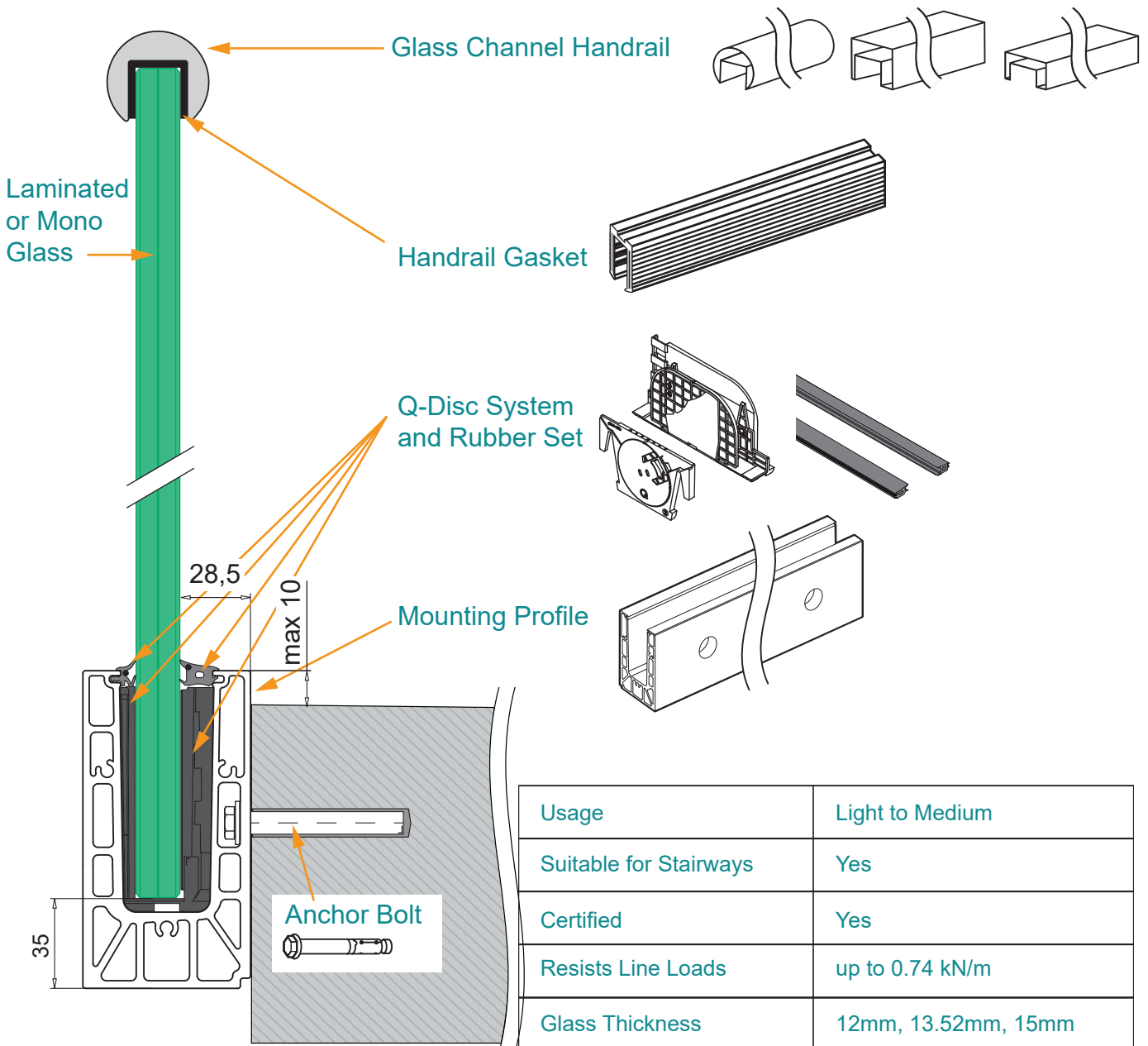
Fascia Mount Easy Glass Smart Balustrade

- Profiles are manufactured from Aluminium with a brushed anodized finish.
- Connection pins for easy alignment and connection of base units.
- Adjustable Q-Disc inlay system and rubber set - for quick and easy glass alignment.
- Suitable for indoor and outdoor installation.
- Minimal use of anchors in base-shoe installation
- Choice of compatible handrail, cap rail and connectors available
- Powder coating of the aluminum components on request

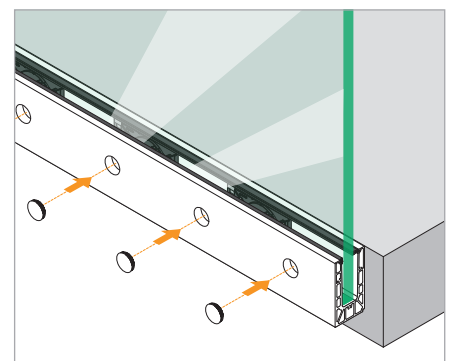
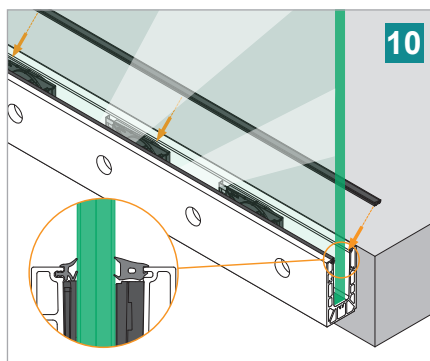
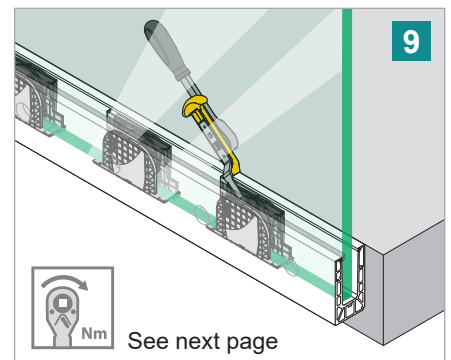
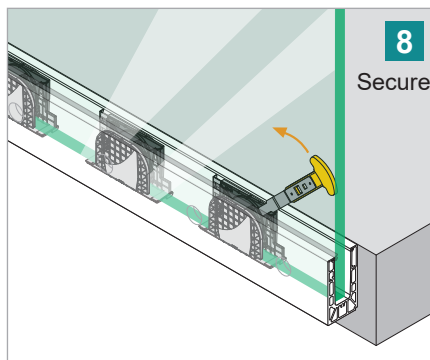
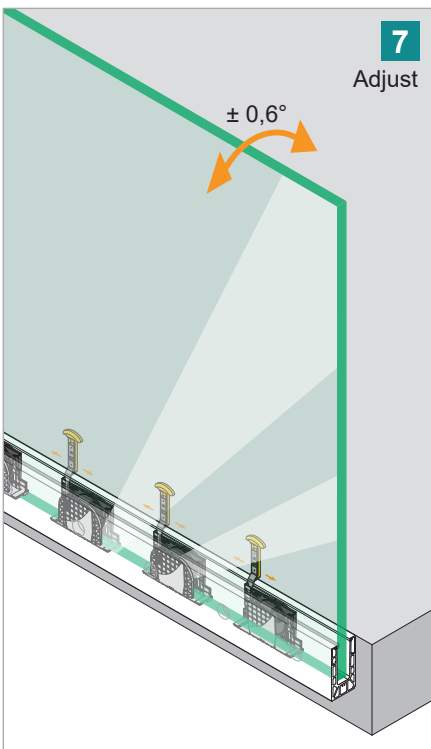
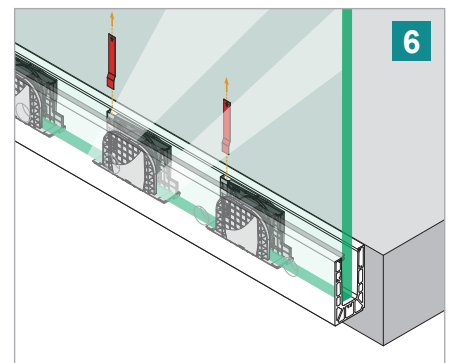
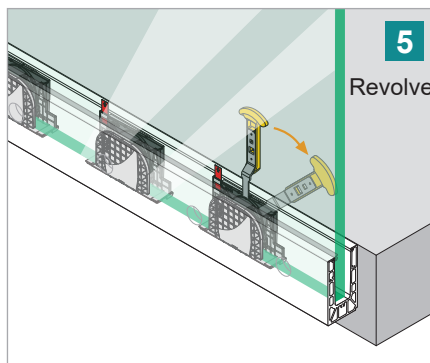
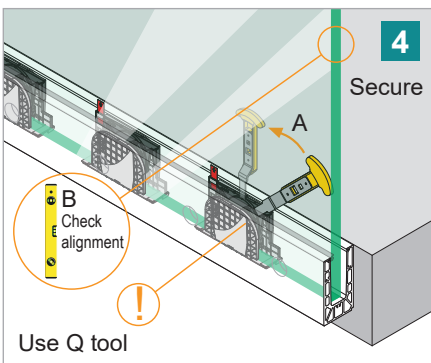
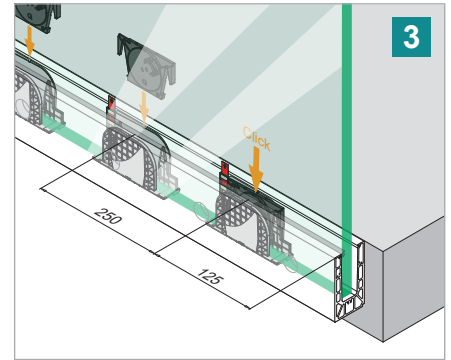
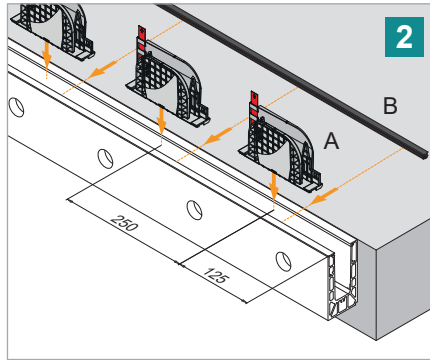
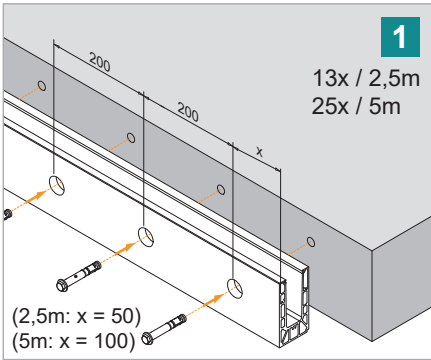
Any quoted figures about the performance of these products relate to installing into concrete.

Please take advice from an engineer or specialist when installing into any other material, such as timber.

Typical Balustrade Components

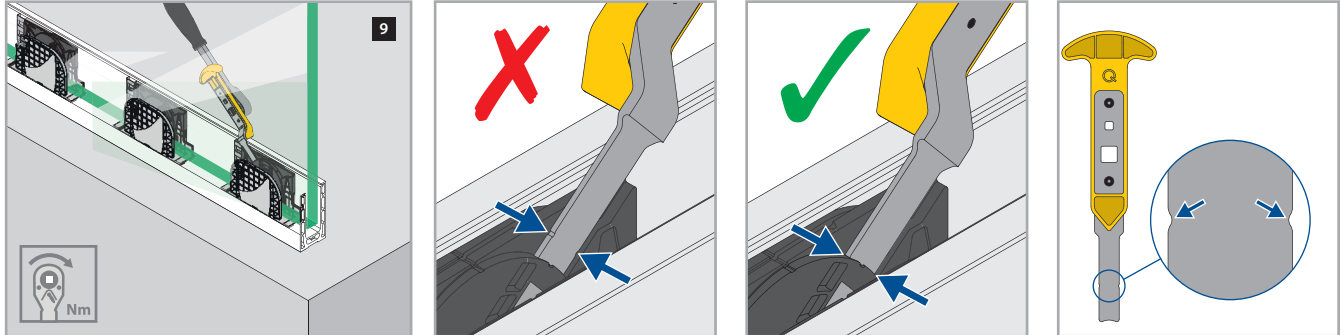


Fascia Mount Easy Glass Smart Balustrade

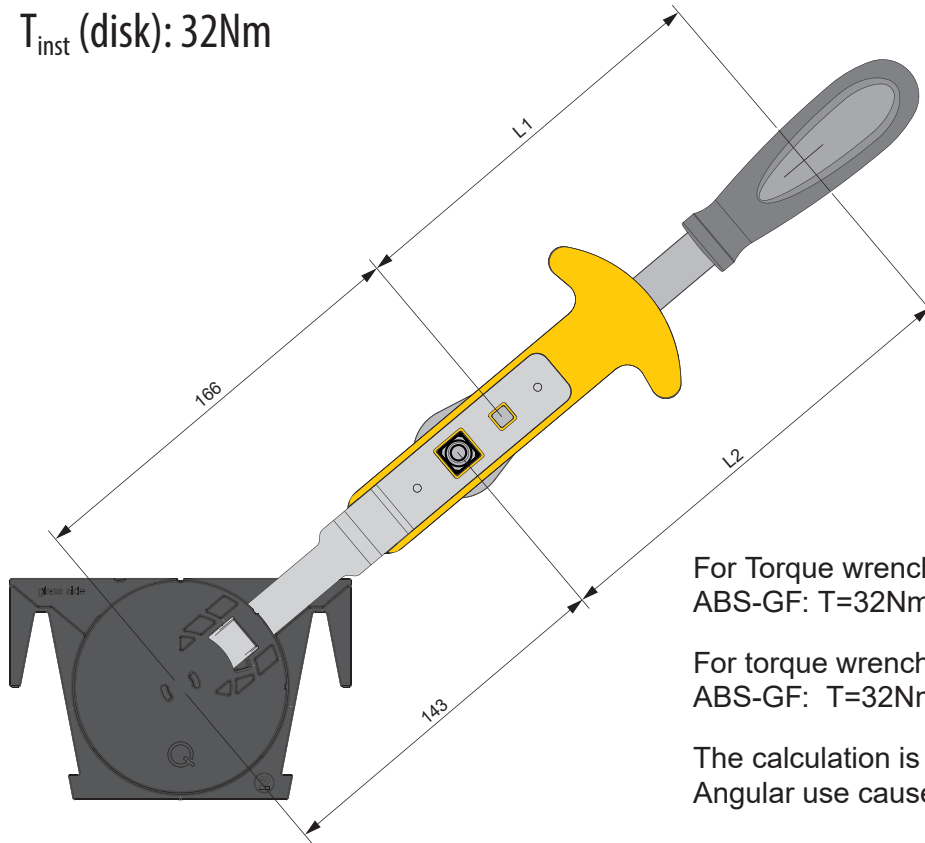


Fascia Mount Easy Glass Smart Balustrade

Q-disc and inlay tool



$T_{inst} \text{ (disk): } 32\text{Nm}$



For Torque wrench 1/4":
ABS-GF: $T=32\text{Nm} \cdot L1 / (L1+166\text{mm})$

For torque wrench 1/2":
ABS-GF: $T=32\text{Nm} \cdot L2 / (L2+143\text{mm})$

The calculation is valid for straight-lined use.
Angular use causes different torque.