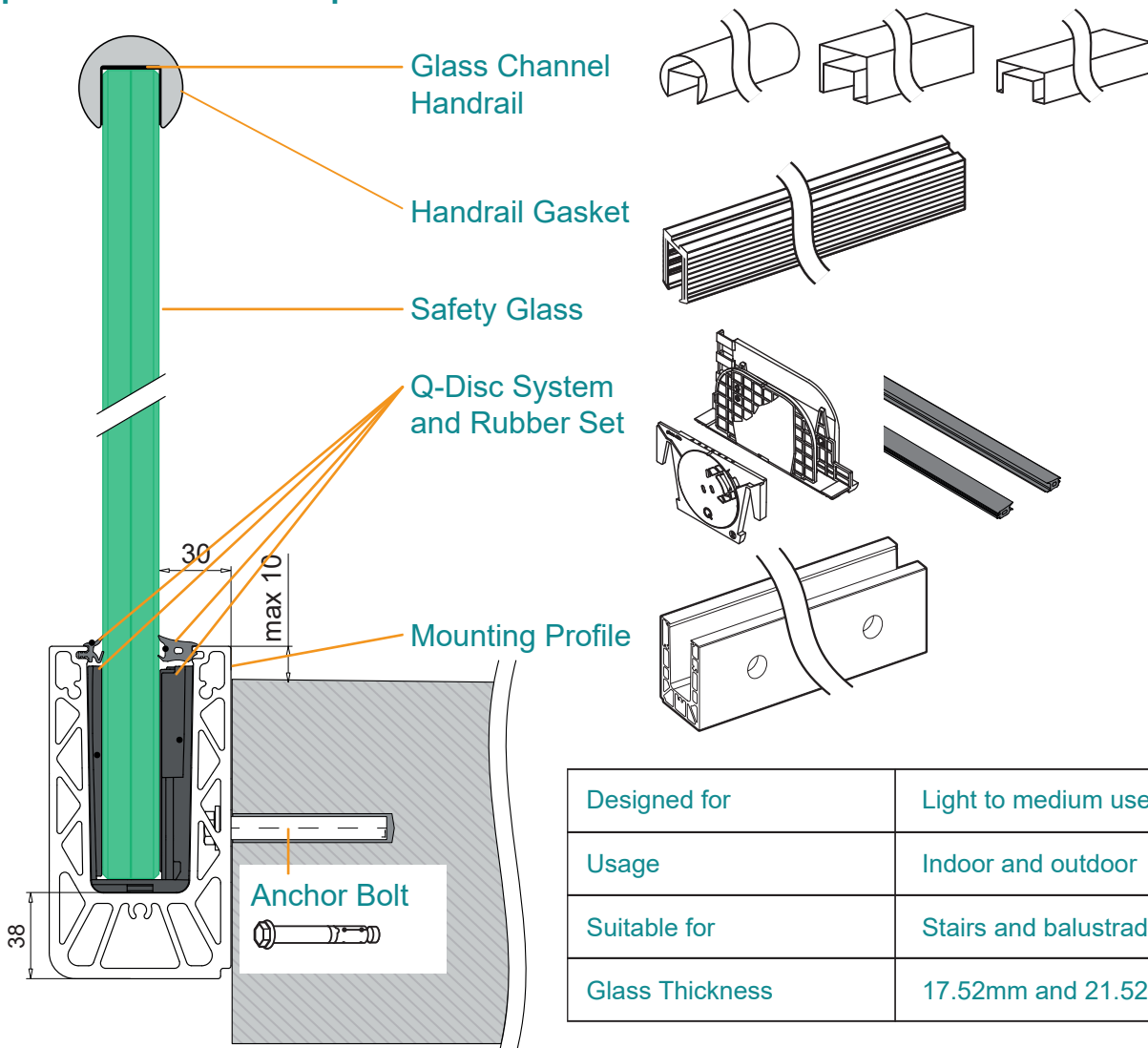


Fascia Mount - Easy Glass Smart+ Balustrade

- Profiles are manufactured from Aluminium with a brushed anodized finish.
- Connection pins for easy alignment and connection of base units.
- Adjustable Q-Disc inlay system and rubber set - for quick and easy glass alignment.
- Suitable for indoor and outdoor installation.
- Minimal use of anchors in base-shoe installation
- Choice of compatible handrail, cap rail and connectors available
- Powder coating of the aluminum components on request

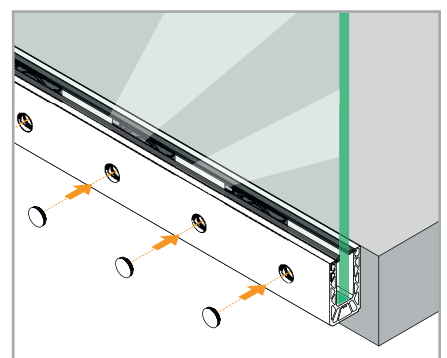
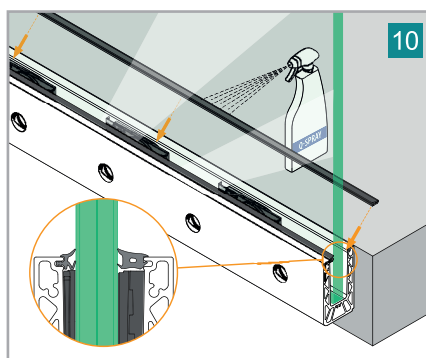
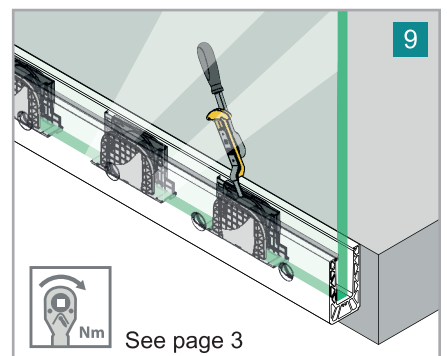
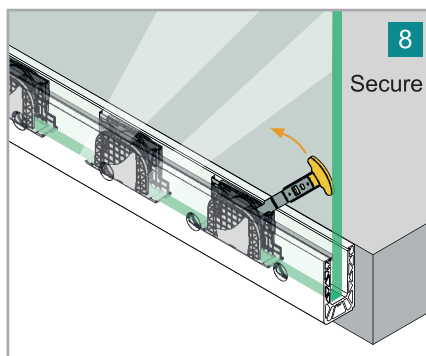
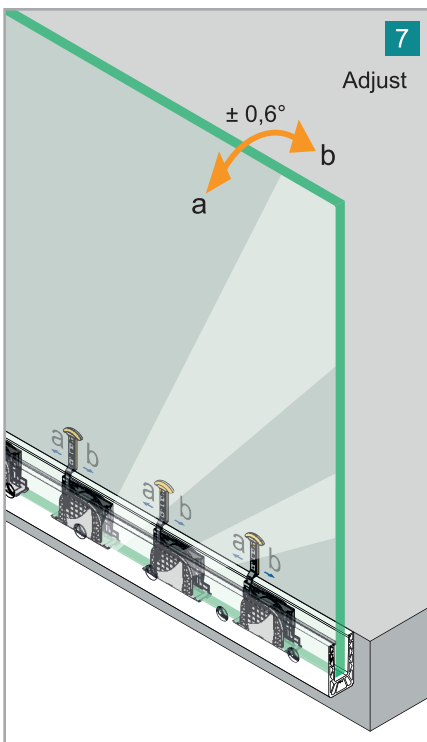
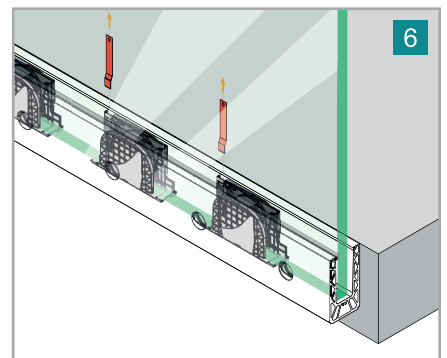
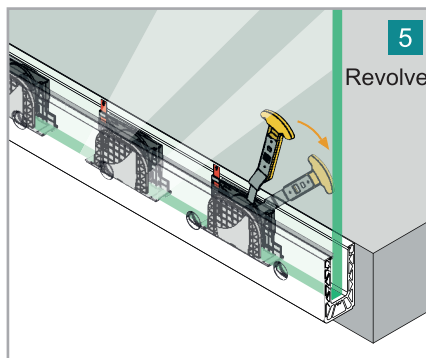
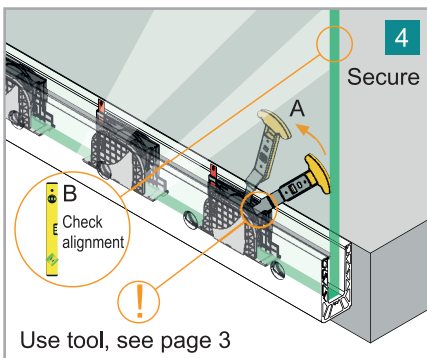
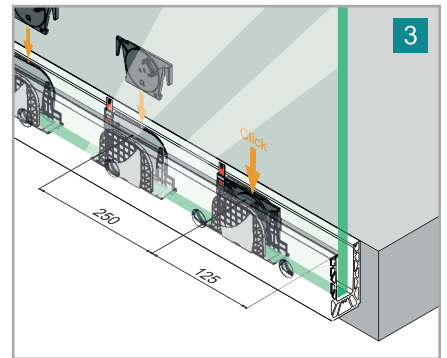
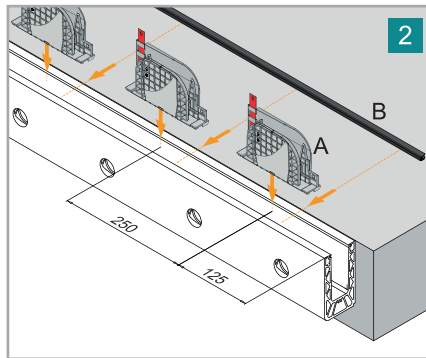
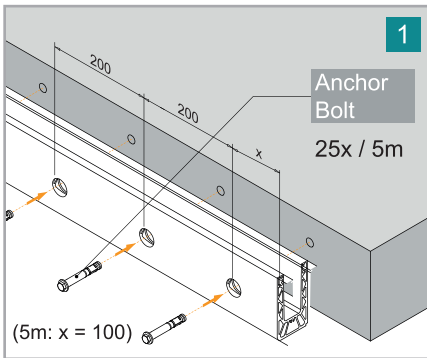
Any quoted figures about the performance of these products relate to installing into concrete. Please take advice from an engineer or specialist when installing into any other material, such as timber.

Typical Balustrade Components



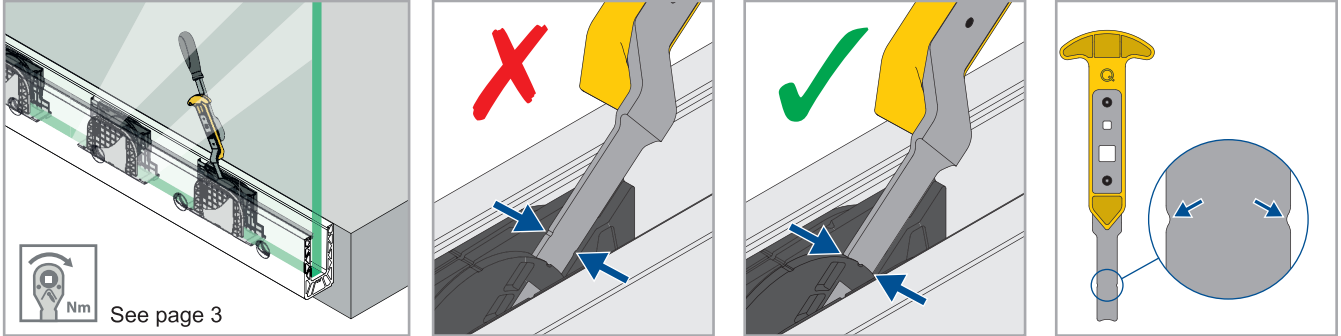
Designed for	Light to medium use
Usage	Indoor and outdoor
Suitable for	Stairs and balustrades
Glass Thickness	17.52mm and 21.52mm

Fascia Mount - Easy Glass Smart+ Balustrade

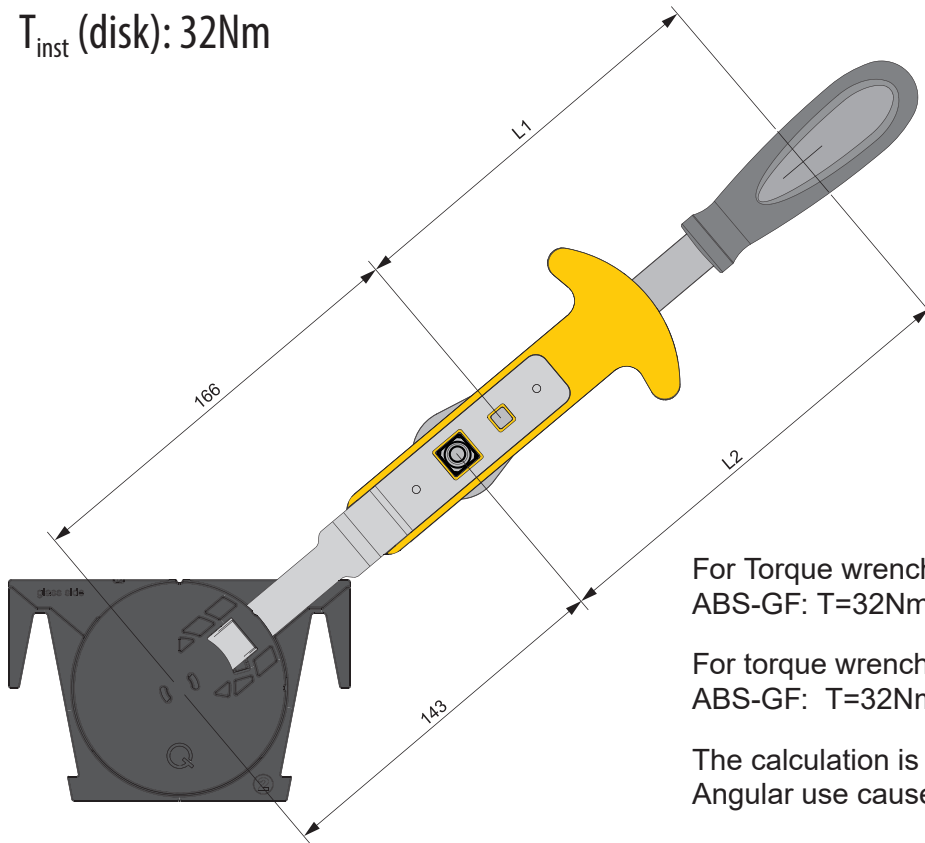


Fascia Mount - Easy Glass Smart+ Balustrade

Q-disc and inlay tool



T_{inst} (disk): 32Nm



For Torque wrench 1/4":
ABS-GF: $T=32Nm * L1 / (L1+166mm)$

For torque wrench 1/2"
ABS-GF: $T=32Nm * L2 / (L2+143mm)$

The calculation is valid for straight-lined use.
Angular use causes different torque.