

# Installation Advice for Flat Handrail

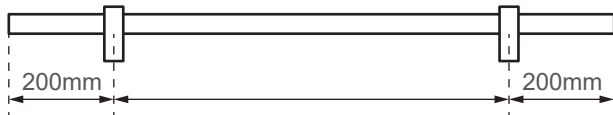
## Flat Handrail with Handrail Bracket - Mod 4134

For a straight forward installation you will require a few household tools:

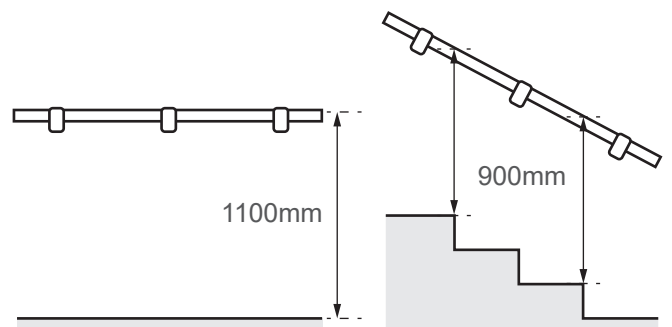
- Pencil
- Tape Measure
- Spirit Level
- Drill
- Spanner/Wrench
- Rawl/Wall Plugs.

### Handrail Positioning

Recommended height of 1100mm on flat installations and 900mm on stairways.



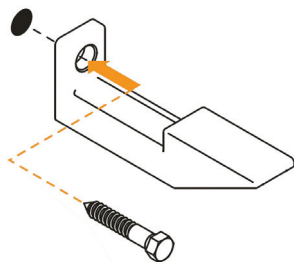
Any additional brackets should be placed equidistant between the two end brackets.



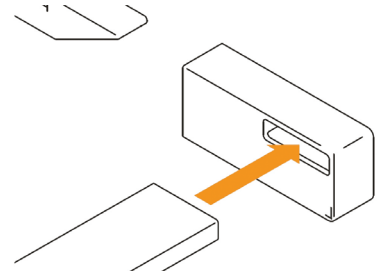
### Installation

First we recommend that you mark out the bracket positions in pencil onto the intended fixing surface, using a tape measure and spirit level.

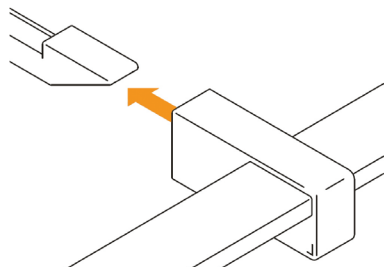
- 1** Drill pilot holes and insert your rawl/wall plug. Remove the bracket sleeve by releasing the hex head screw on the underside of your bracket. Mount the bracket base to the wall with the M8 threaded screw.



- 2** Slide handrail tube through the bracket sleeves.



- 3** Slide bracket sleeve onto the handrail bracket mount.



- 4** Once in position replace the fixing screw into place using a hex head key.

