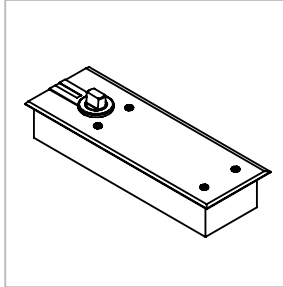


Glass Door Floor Spring - Hydraulic

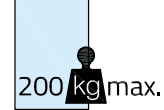
Stainless Steel - **45.0101.000.12**
 Anthracite Black - **45.0101.000.26**



Options:

EN1154

3	8	2	1	1	3
		4			

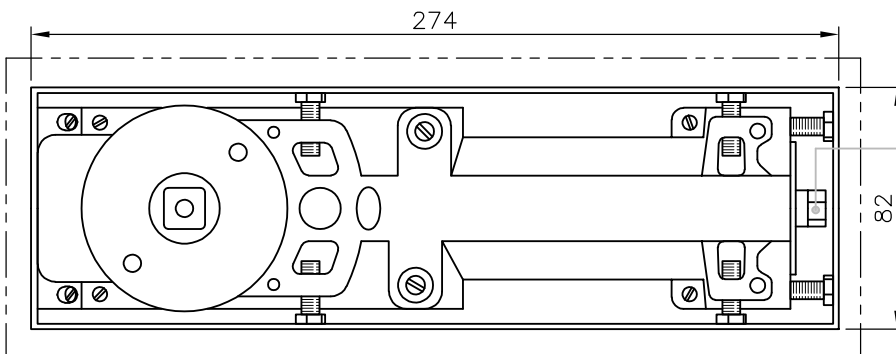
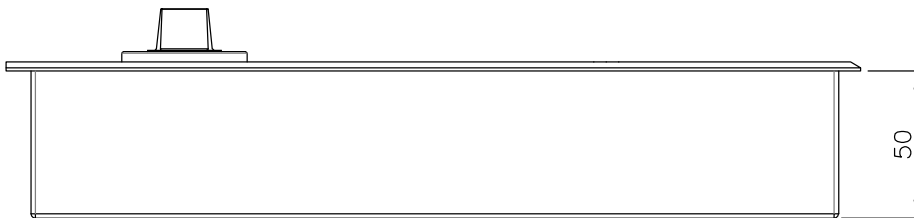
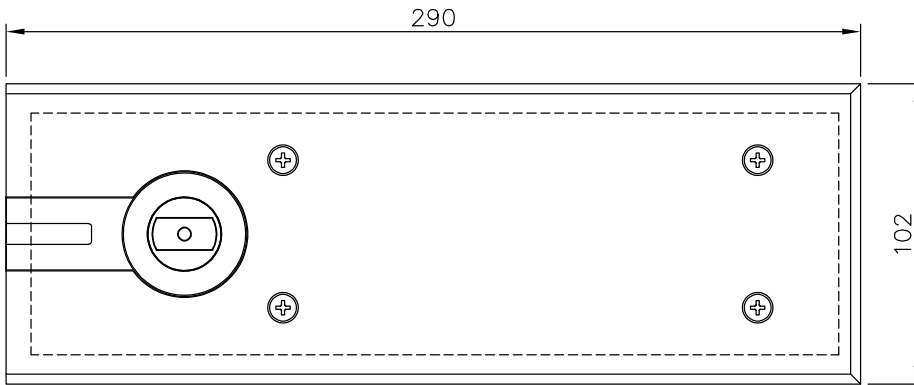


Material: Stainless steel AISI 304

Weight: 5,0 kg

Finish: Stainless steel design

Anthracite design



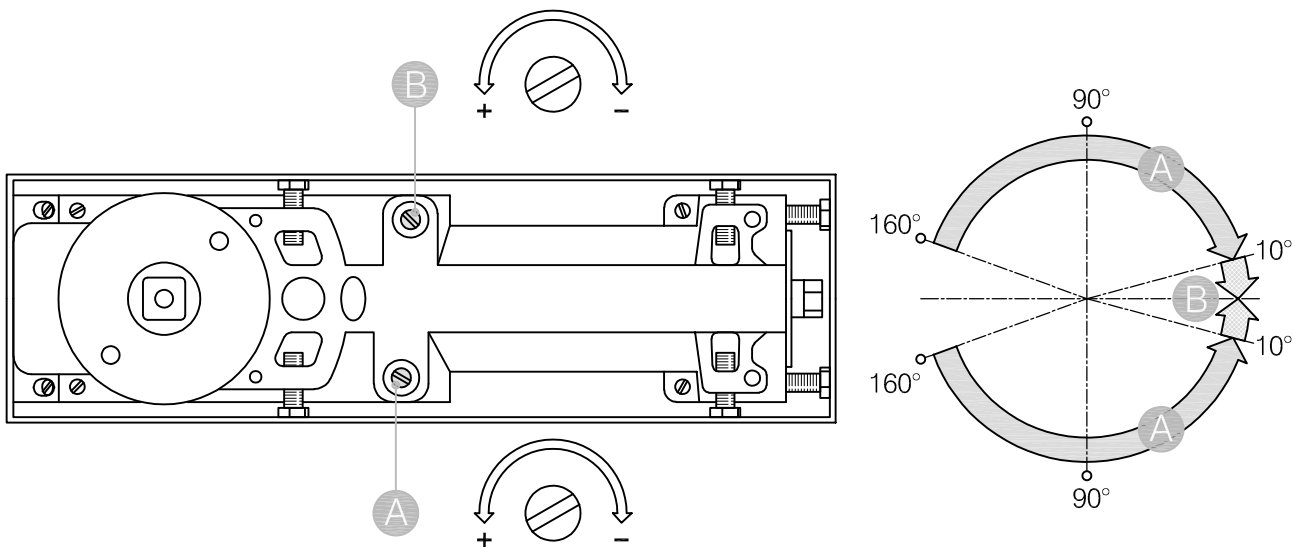
Power:	Turns:	Direction:
2	4	-
3	0	*
4	7	+

* : Factory pre-set force = 3

Glass Door Floor Spring - Hydraulic

Stainless Steel - **45.0101.000.12**
Anthracite Black - **45.0101.000.26**

Speed adjustment:



Settings:

Two independent valves for adjusting the closing speeds in two ranges.

Valve A - closing speed from 160° - 10

Valve B - closing speed from 10° - 0

For the adjustment of the closing force over the entire closing distance of 160° - 0° please see page 1