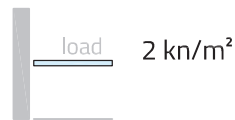
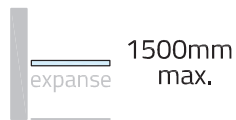
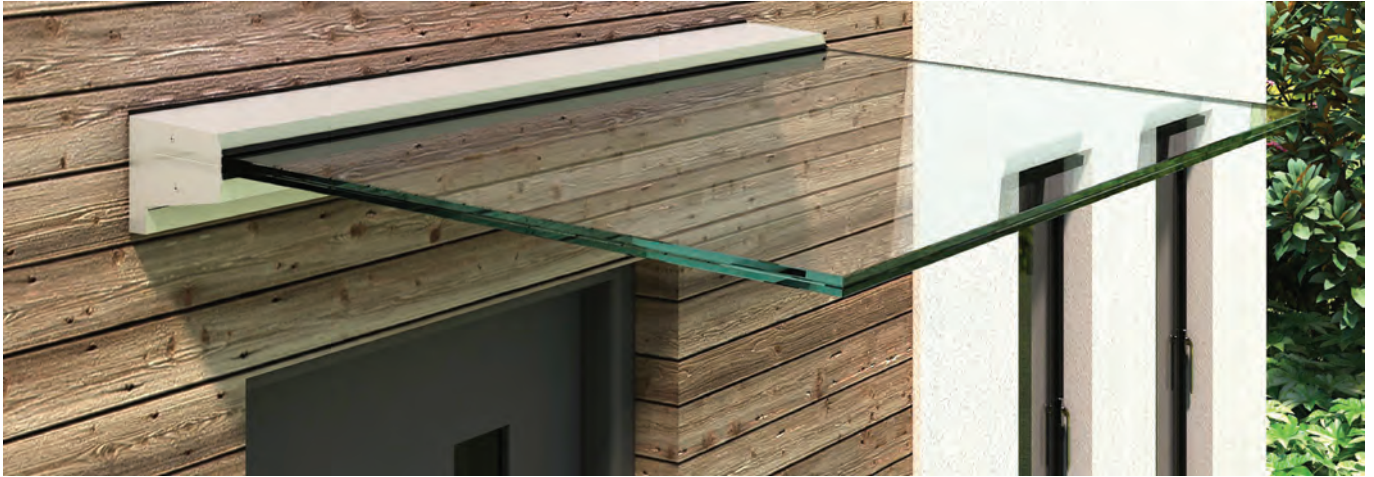


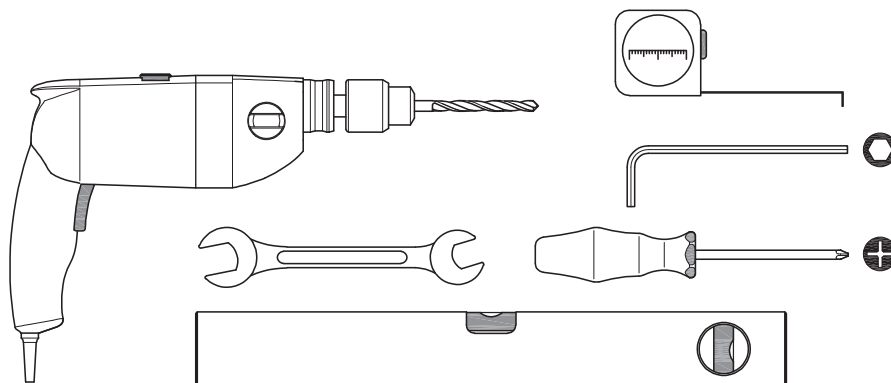
25.52mm Glass Canopy - Self Supporting



Scope of supply

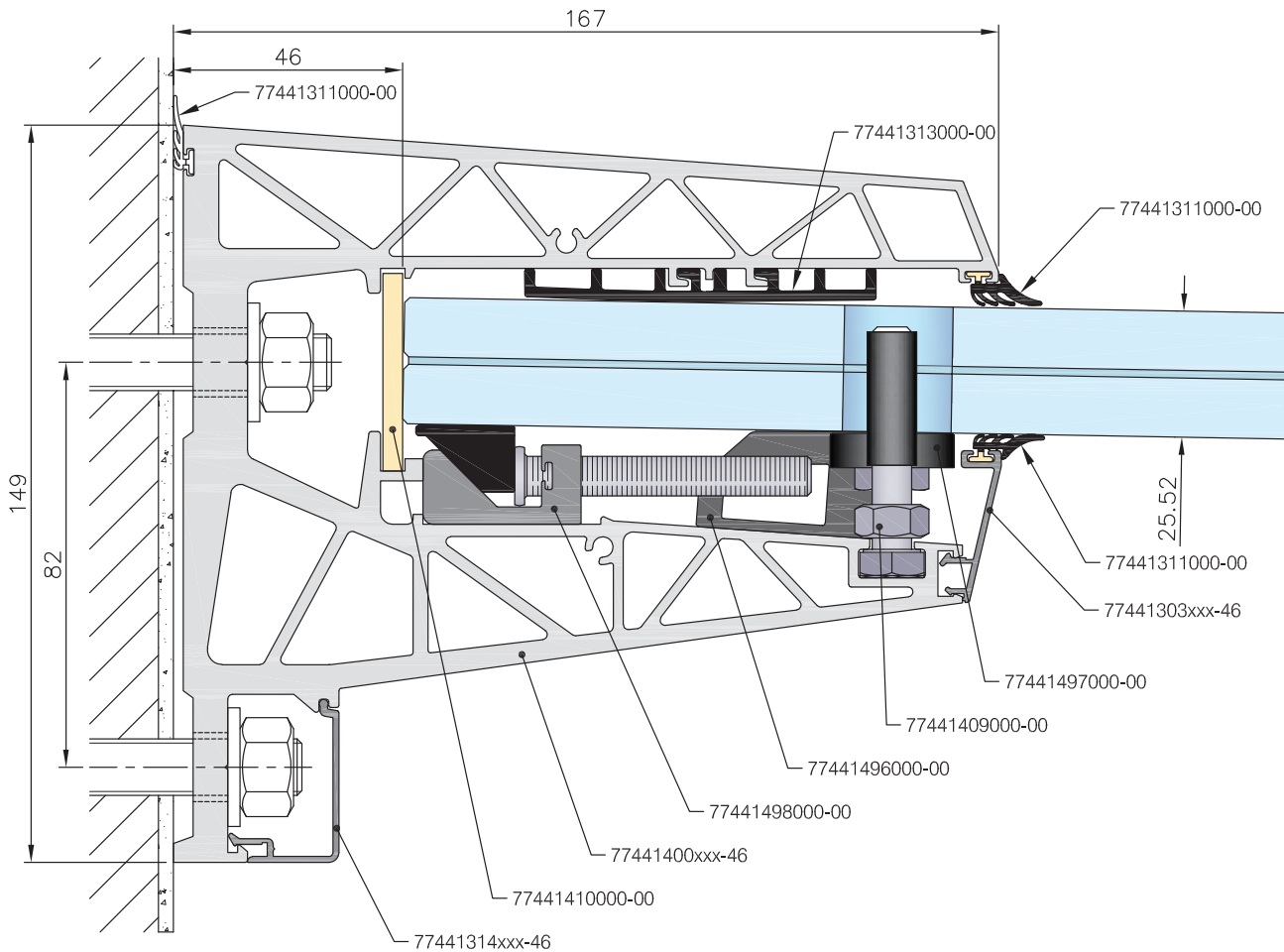
| | | | | | |
|--------------------------------|--------------------------------|--------------------------------|----------------------------------|--------------------------------|--------------------------|
| 1x 77441400xxx-46 | 1x 77441314xxx-46 | 1x 77441403xxx-46 | 1x 77441313000-00 | 1x 441404000-46 | 1x 77441405000-46 |
| 2x/meter 77441496000-00 | 2x/meter 77441497000-00 | 2x/meter 77441498000-00 | 2x/pro Glas 7744140900000 | 3x/meter 77441410000-00 | 3x 77441311000-00 |

Mounting tools required:

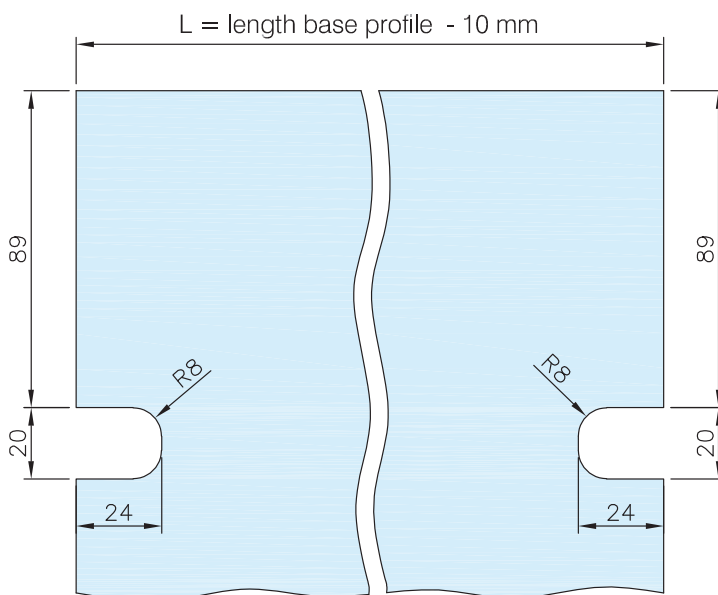


25.52mm Glass Canopy - Self Supporting

Assembly



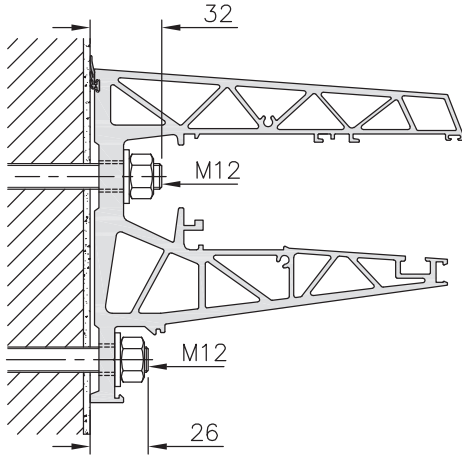
Glass preparation



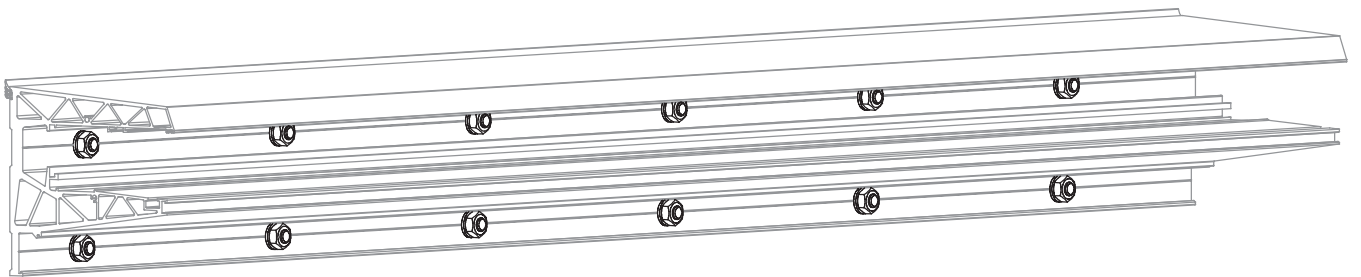
We recommend the use of tempered and laminated glass 12+12+1.52 SG (rigid plastic film - e.g. SentryGlas®) for optimum canopy system stability.

25.52mm Glass Canopy - Self Supporting

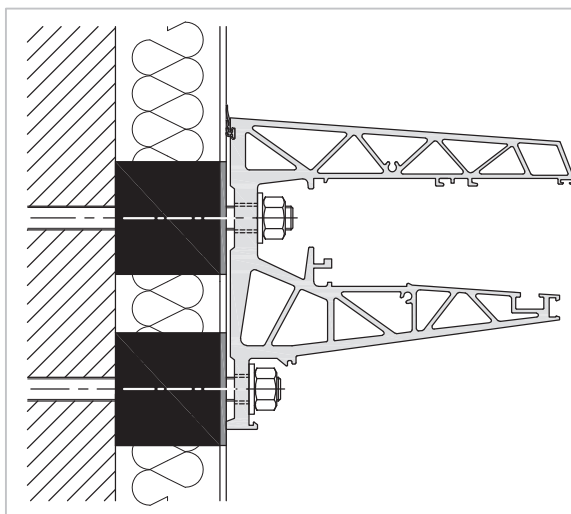
1



Fasten the base profile (incl. gaskets) to the wall with statically suitable fixing anchors*. All mounting holes must be used. May use the profile as drilling template.



* The usability of the screws must always be checked by the installer and adapted to the condition of the load-bearing structure. We expressly accept no liability for damage resulting from improper installation. Installation should only be carried out by a specialist.

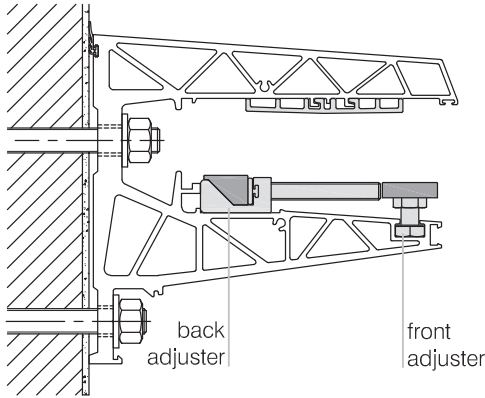


For installation on external thermal insulation systems we recommend the use of HIK Iso brackets from HILTI. More information at: www.hilti.de

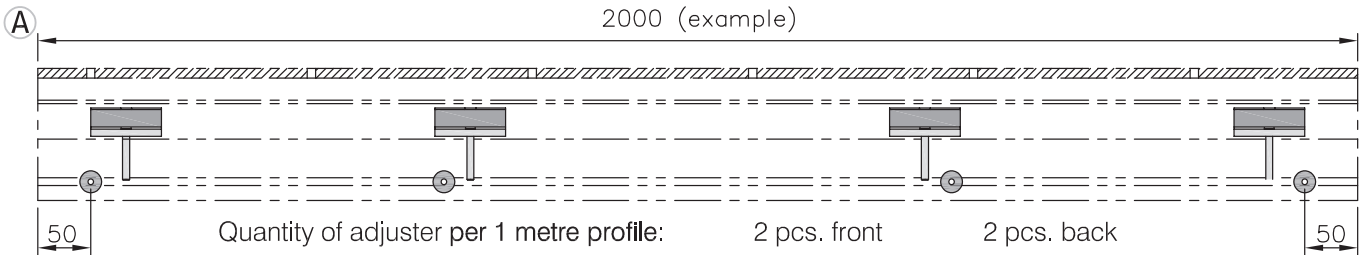
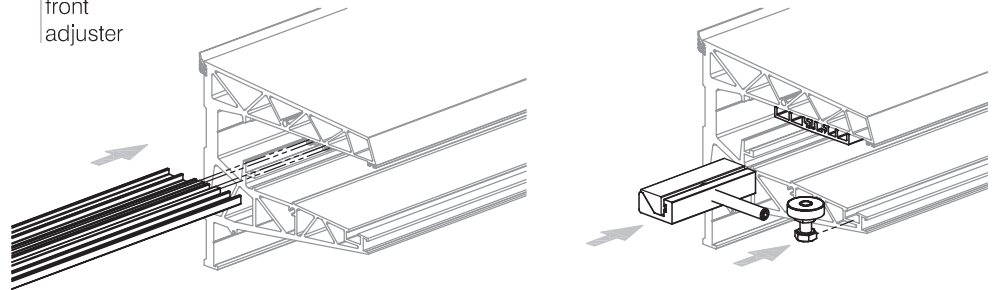


25.52mm Glass Canopy - Self Supporting

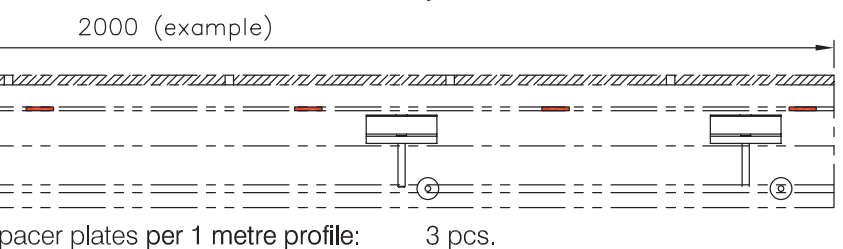
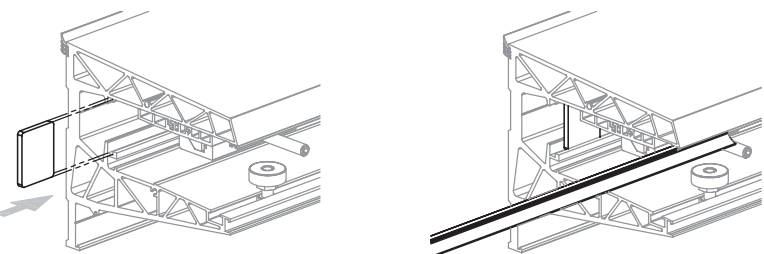
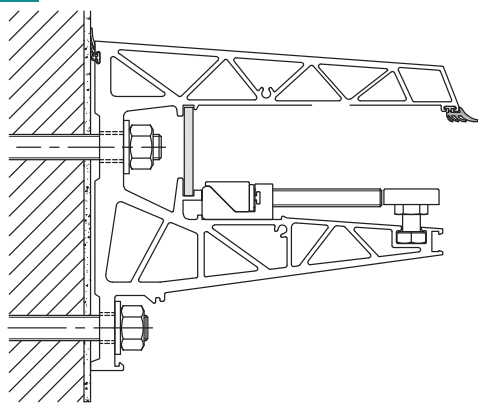
2



Insert the upper compensation profile and the adjusters (front and back) into the base profile. The number of adjusters varies depending on the profile length. It is important to note that the front and rear adjusters are not on the same axis. So that they are easy to reach with a wrench and allen key. **Figure A.**

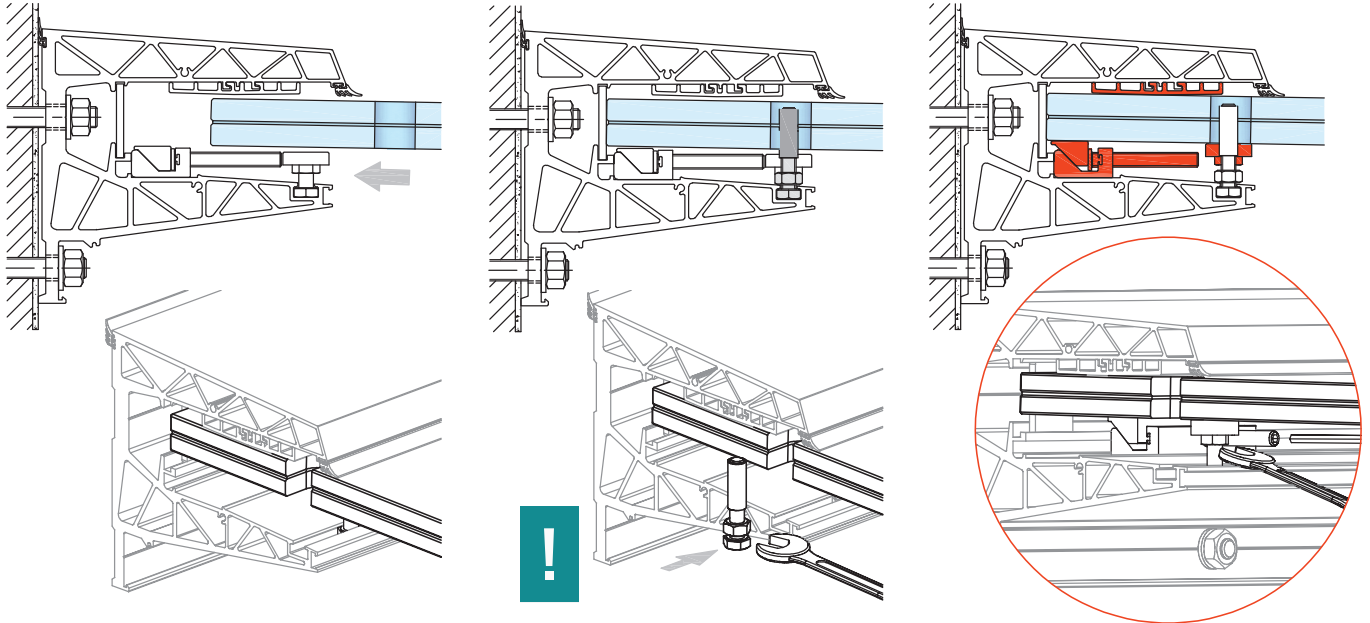


3



25.52mm Glass Canopy - Self Supporting

4

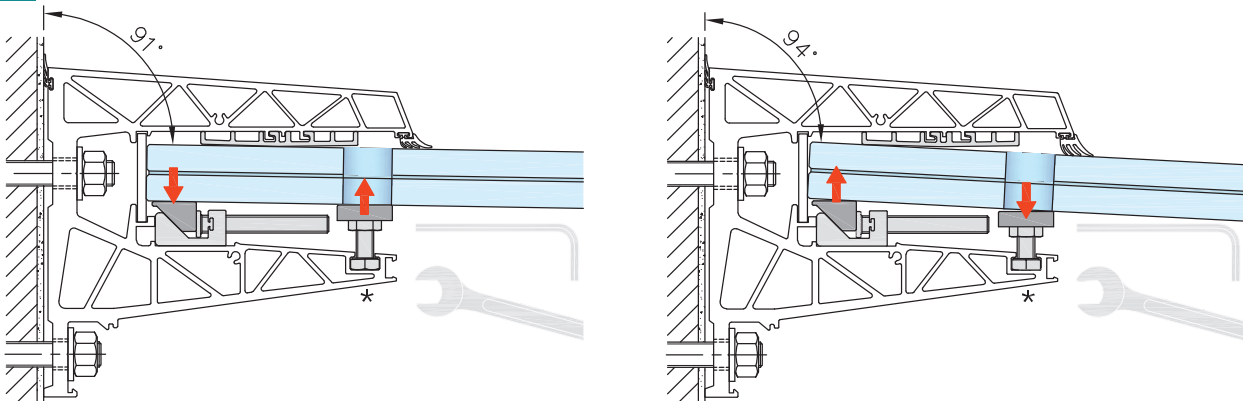


Glass installation: Guide the glass between the adjusters and the compensation profile. The glass must touch the rear spacer plates. Then the glass must be brought to the upper compensation profile with the adjusters.

ATTENTION: To secure the glass, immediately insert the safety pin screws on both sides of the profile and secure them with the nuts (the safety pins must be located inside the glass cut outs).

The decline of the glass can then be adjusted with the front and rear adjusters.

5



* Shown without safety pin screws.

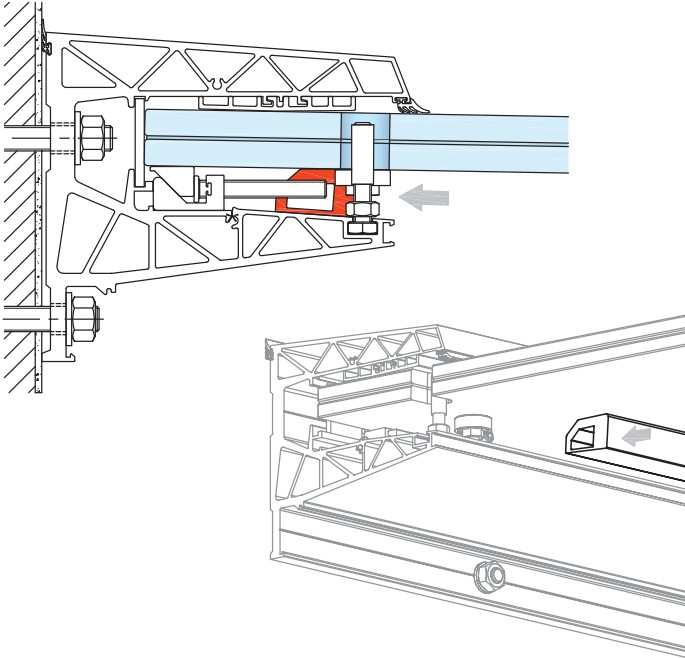
Adjust the angle of the glass:

1. **lift glass:**
 - turn down rear adjuster
 - turn up front adjuster

2. **lower glass:**
 - turn down front adjuster
 - turn up rear adjuster

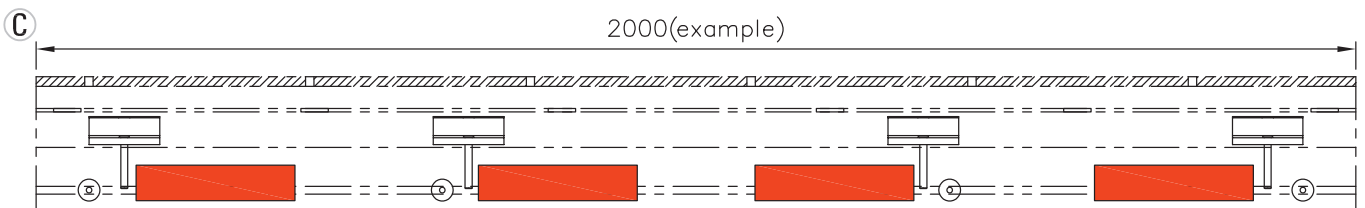
25.52mm Glass Canopy - Self Supporting

6



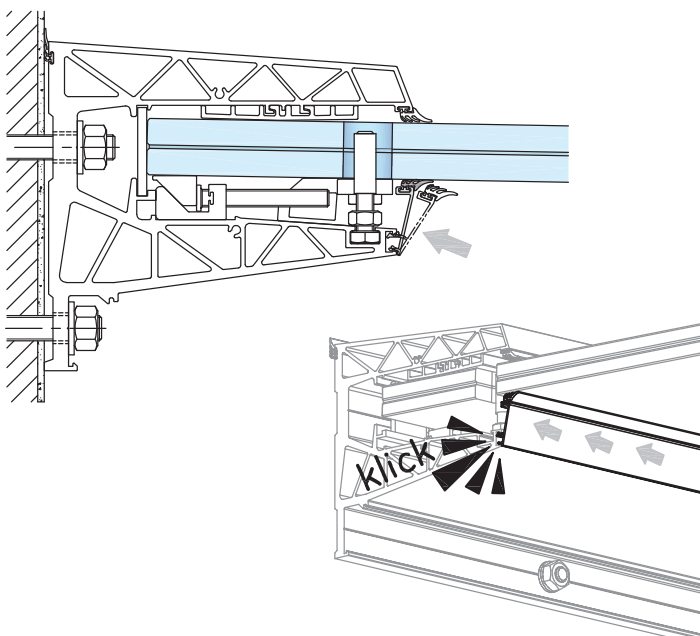
Press the clamping profiles between the glass and the base profile. The number of clamping profiles varies depending on the profile length. **Figure C.**

! It is important that the load of the glass is taken up by the clamping profiles. The glass may not rest on the adjustment screws only.



Quantity of clamping profiles per 1 metre profile: 2 pcs.

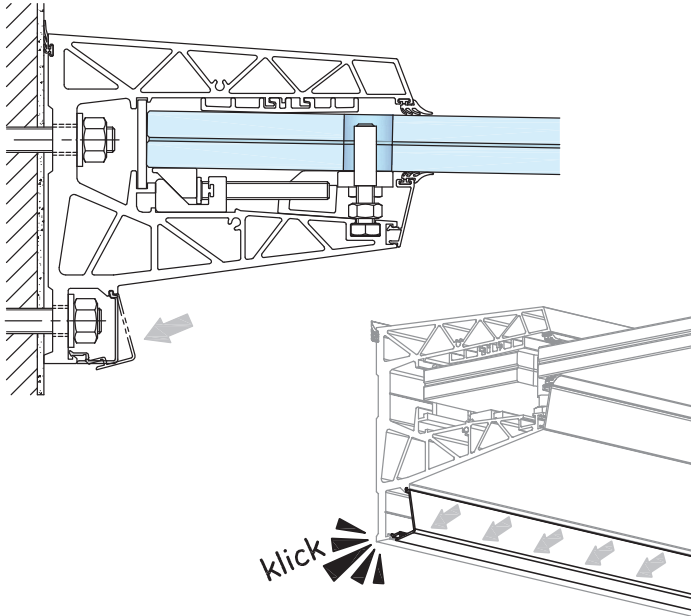
7



Set the profile cover incl. seal on the base profile and press it into the base profile until it clicks into place.

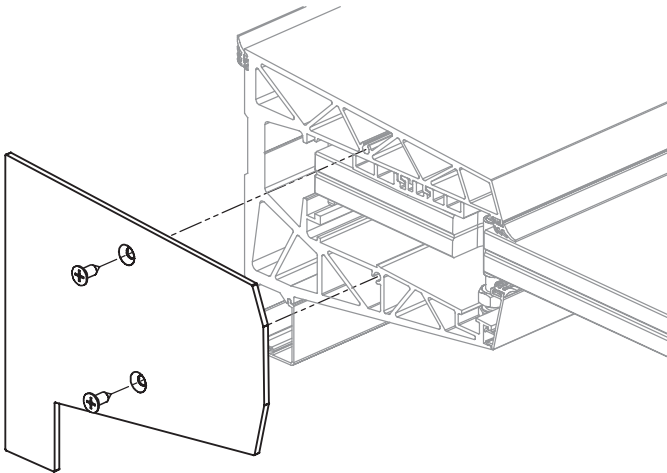
25.52mm Glass Canopy - Self Supporting

8



Set the screw cover on the base profile and press it in until it clicks into place. Alternatively, and if there is enough space, the screw cover profile can also be slide into the side of the base profile.

9



Fasten the left and right end caps with the screws in the scope of supply.

