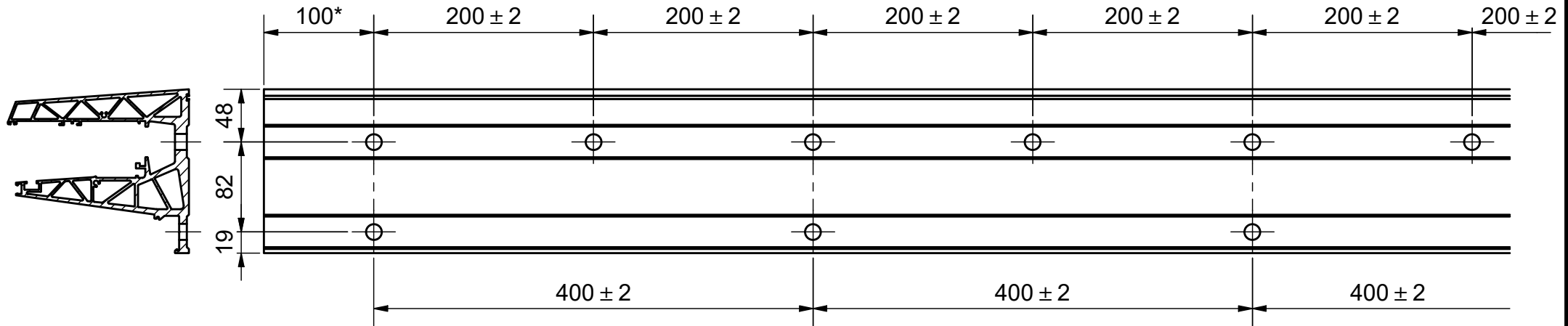
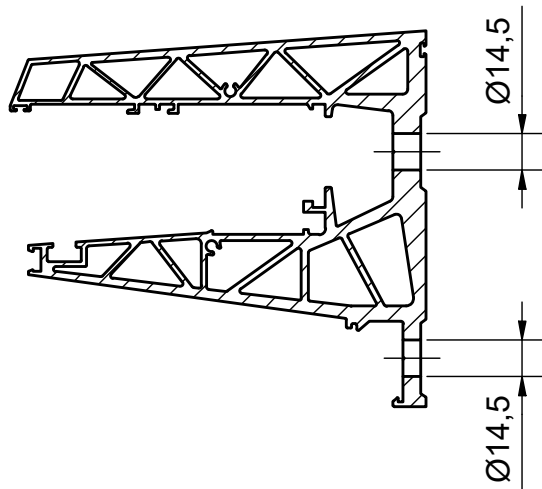


# Drill hole pattern



\*distance ex-factory - may vary for "cut-to-size profiles"  
(drill pattern remains the same)



		Scale: 1:5	Weight		Rev. No.:
		Material: EN AW-6061T6			
		Finish: raw			
		Product Line:			
		Description:			
		Profile FARAH 2041 - 2042			
		Drawing no.:			
		41400xxx46			
		Sheet: 1/1			
		A4			
General tolerance according DIN ISO 2768-mK					

REV	DESCRIPTION	DRAWN	DATE