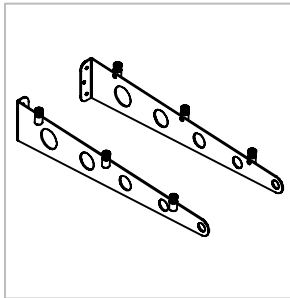
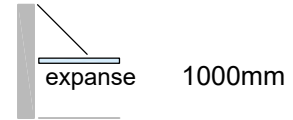
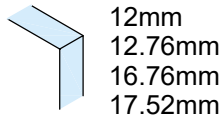


# Glass Canopy Sword Bracket Set



Options:



Material: Stainless steel AISI 304

Weight: 6.5kg

Finish: Stainless steel design:

## Glass preparation:

**!** Glass preparation for an example canopy  
1400mm x 1000mm  
Glass not scope of supply.

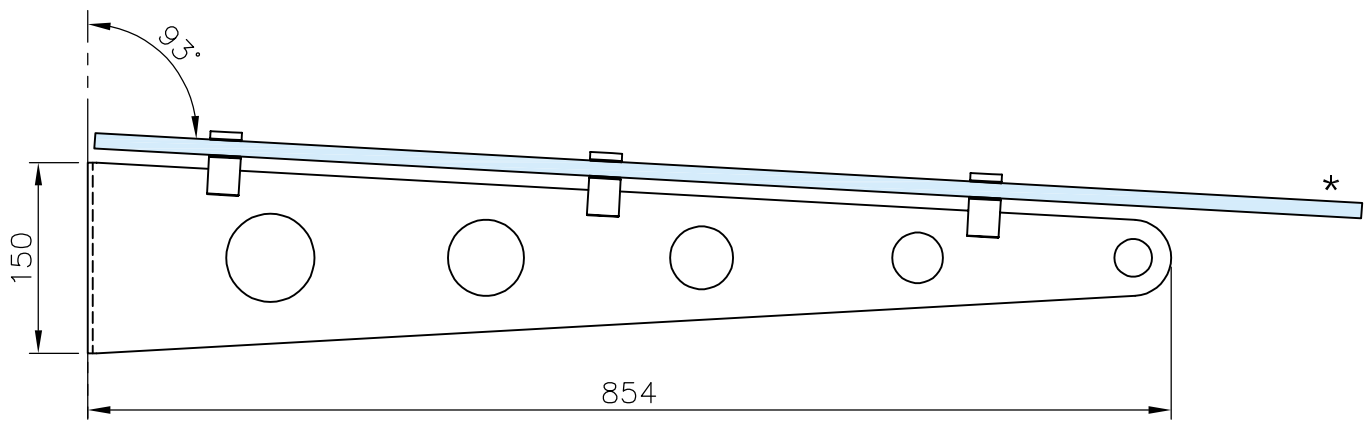
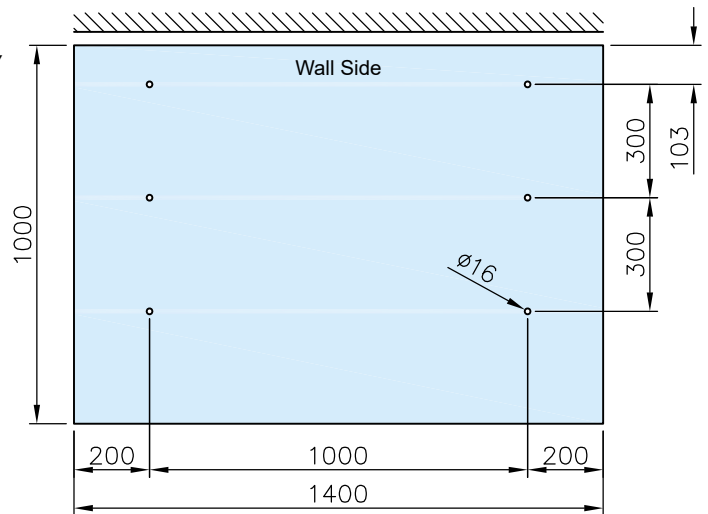
The canopy sword brackets must fasten to the wall with statically suitable fixing anchors.

All mounting holes must be used.  
The backing plate can be used as a drilling template.

The usability of the screws must always be checked by the installer and adapted to the condition of the load bearing structure.

We expressly accept no liability for damage resulting from improper installation.

Installation should only be carried out by a specialist.



\*drawing shows 12 mm glass

