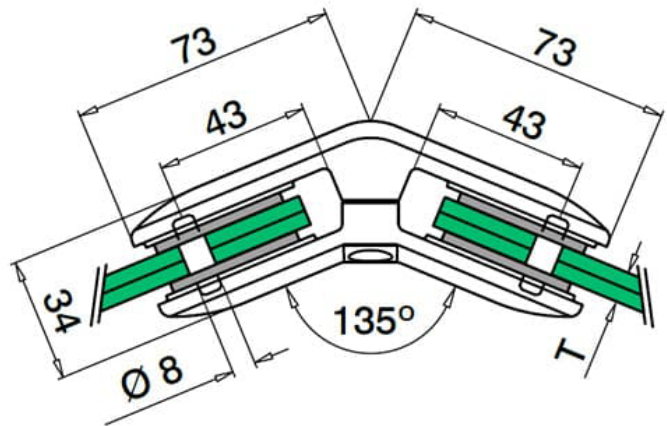


135 Degree Connector - D Shape Glass Clamp 6mm to 12.76mm Glass

Fixed angle connector in 316 grade stainless steel.

Supplied with size specific rubber insert for glass infill



Mono Glass Thickness:
6mm, 8mm, 10mm and 12mm

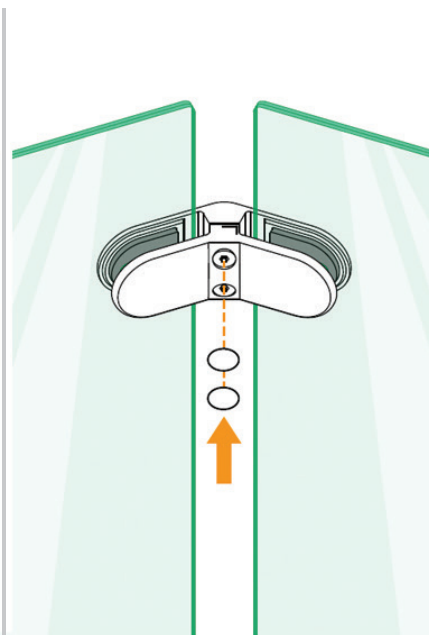
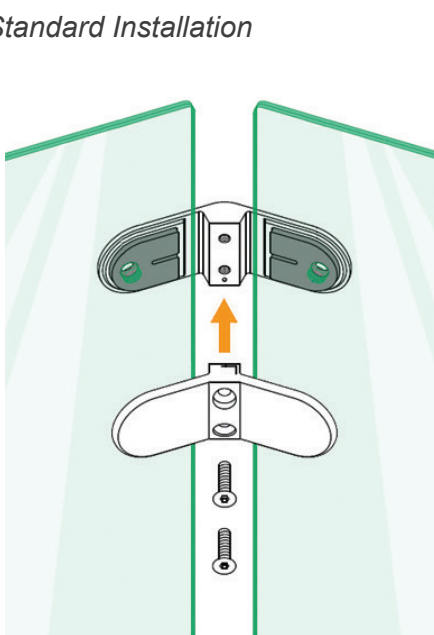
Laminated Glass Thickness:
8.76mm, 9.52mm, 10.76mm, 11.52mm and 12.76mm

Note: Glass clamps are supplied without security pins.

Glass panels will be held securely in place with the mounting rubbers supplied. We would only recommend the use of Security Pins (19.5015.022.00) if the glass has a large void underneath.

Glass will require 10mm holes drilling at manufacture stage to accept security pins.

Standard Installation



Security Pin Installation

