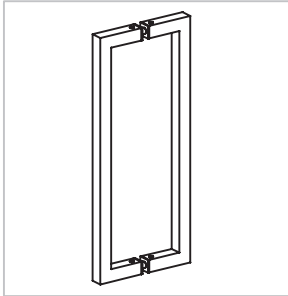


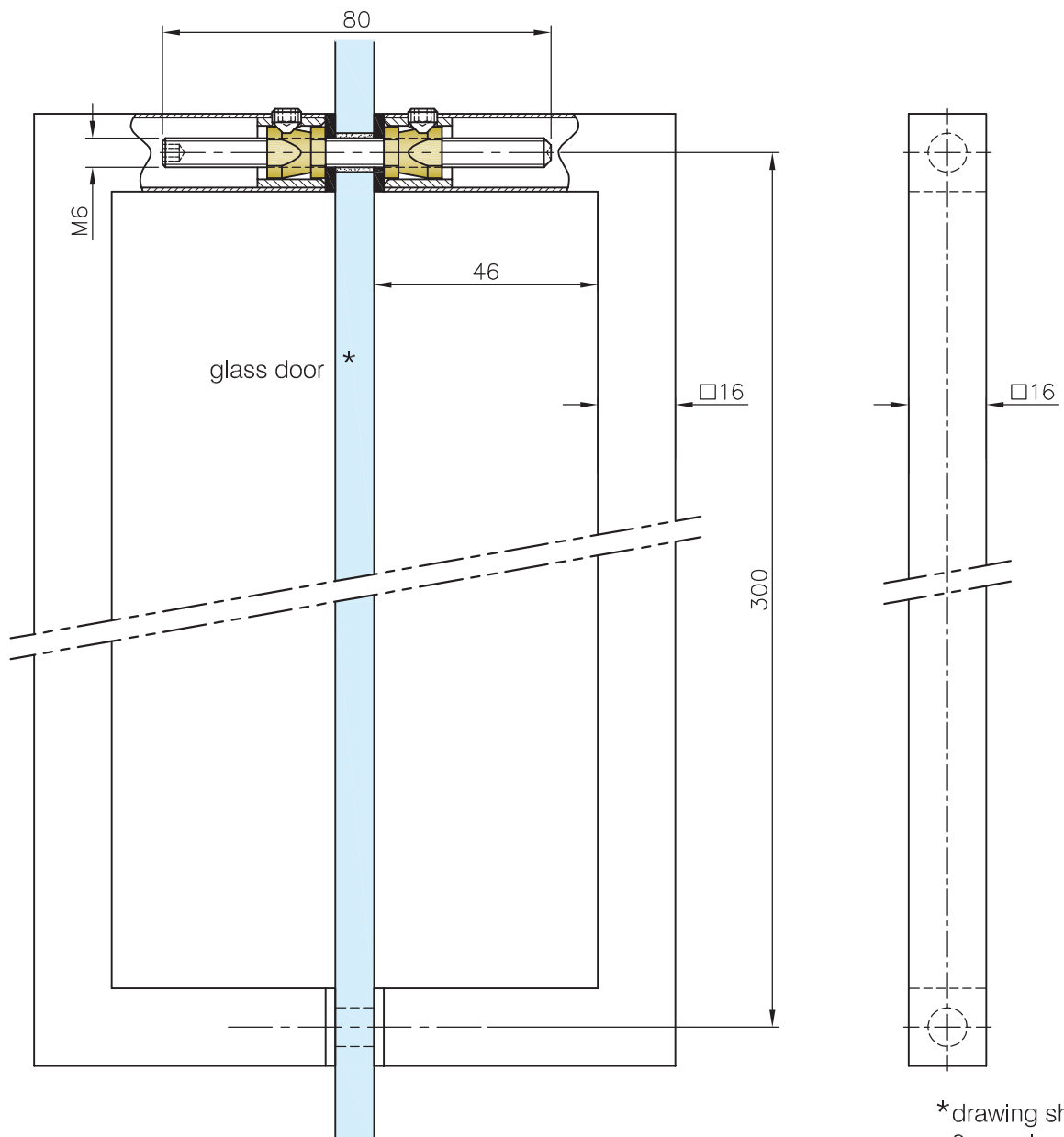
## Square Glass Door Handle - 16mm x 16mm Profile



Options:



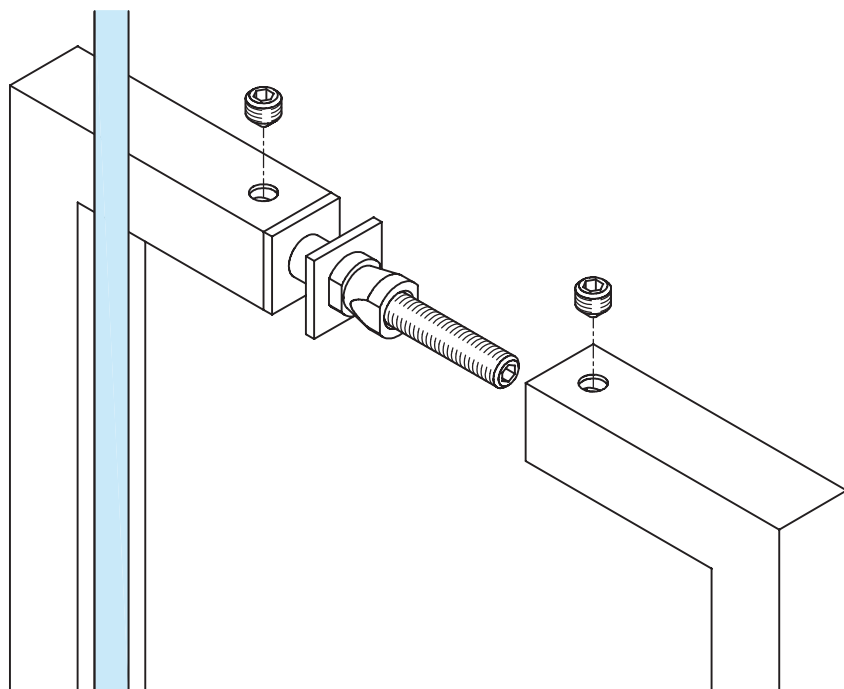
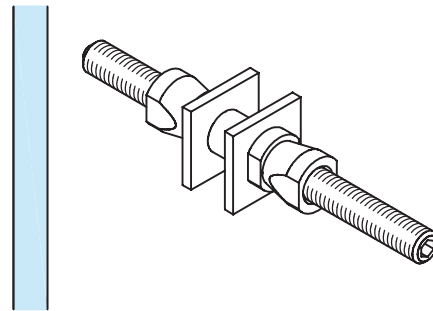
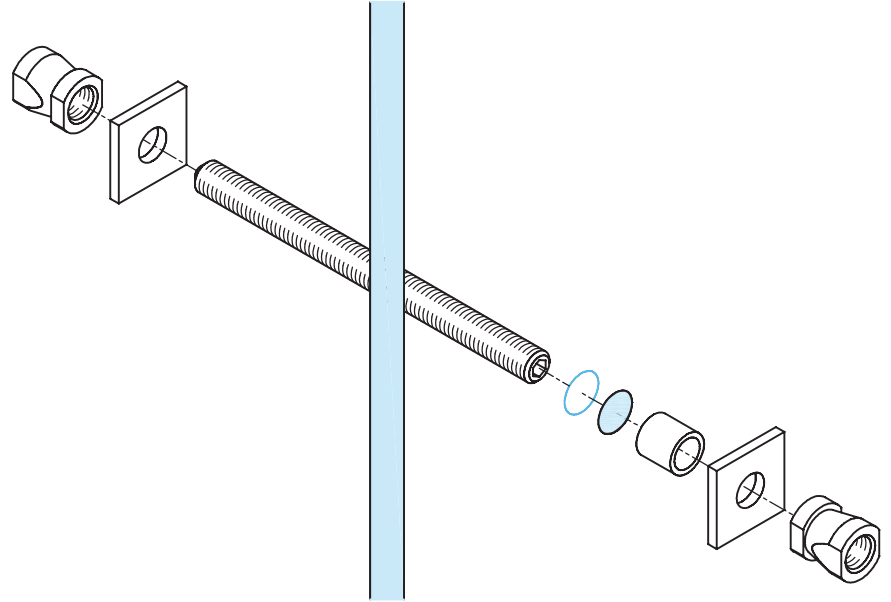
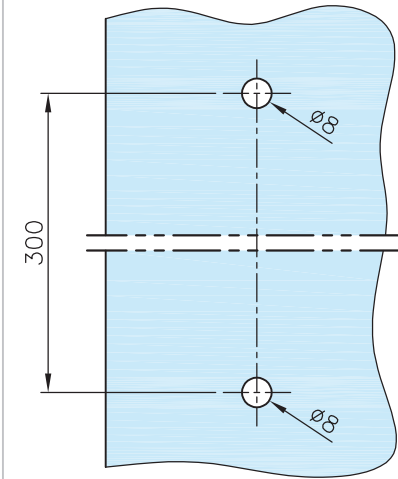
Material:	Stainless steel AISI 304	Weight: 0,445 kg
Finish:	Stainless steel design	Anthracite design



## Square Glass Door Handle - 16mm x 16mm Profile

Stainless Steel Finish    Anthracite Black Finish

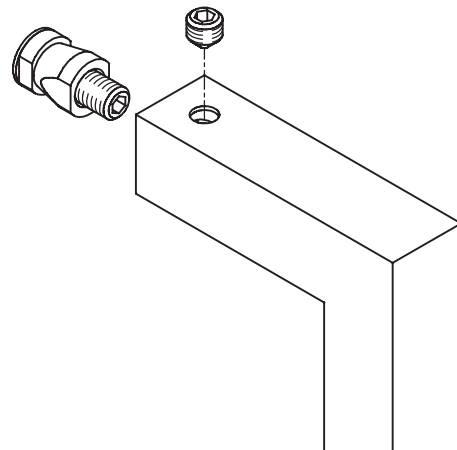
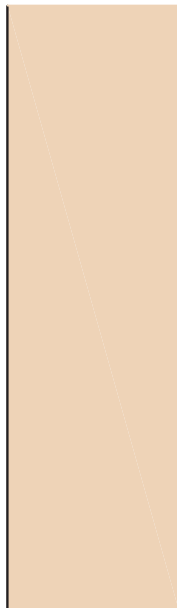
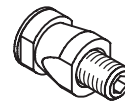
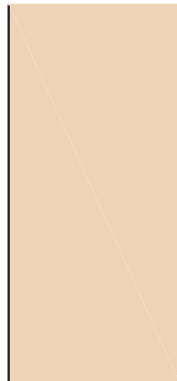
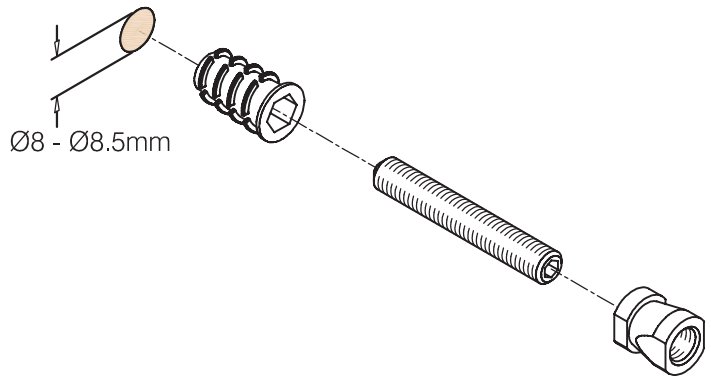
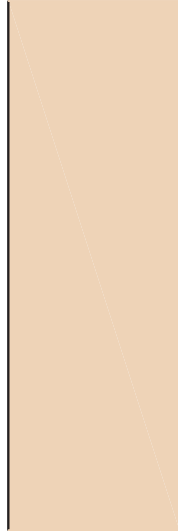
Glass preparation:



# Square Glass Door Handle - 16mm x 16mm Profile

Stainless Steel Finish    Anthracite Black Finish

Wooden door mounting:



n