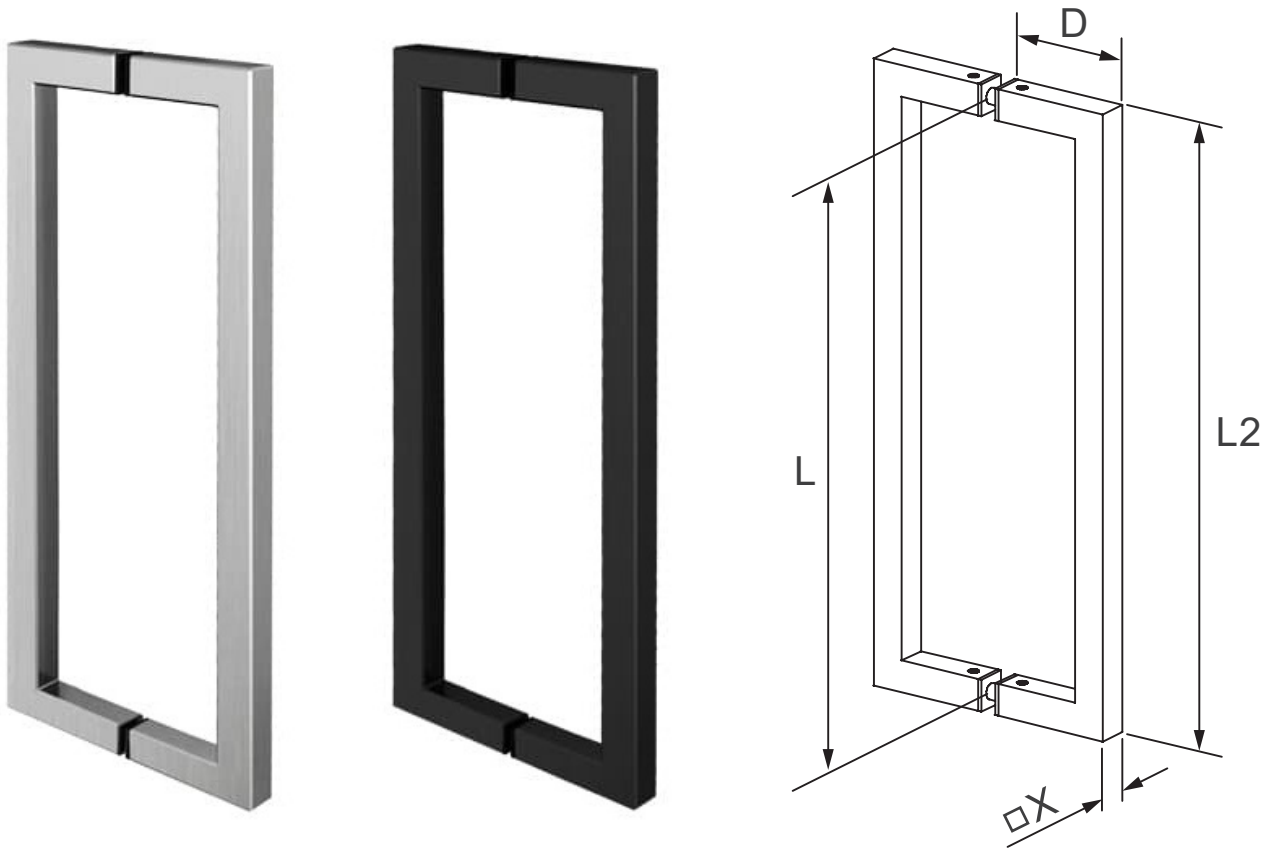


## Glass Door Handle - Square Profile



### Stainless Steel Finish

Code	L (mm)	L2 (mm)	D (mm)	X (mm)	Mounting Thickness (mm)
47.8503.416.12	300	316	60	16 x 16	6 - 40
47.8503.425.12	300	325	70	25 x 25	6 - 40
47.8506.425.12	600	625	70	25 x 25	6 - 40

### Anthracite Black Finish

Code	L (mm)	L2 (mm)	D (mm)	X (mm)	Mounting Thickness (mm)
47.8503.416.26	300	316	60	16 x 16	6 - 40
47.8503.425.26	300	325	70	25 x 25	6 - 40
47.8506.425.26	600	625	70	25 x 25	6 - 40