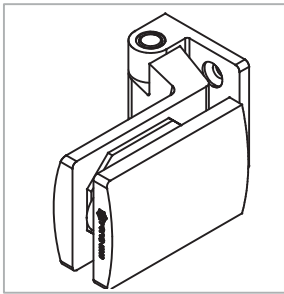
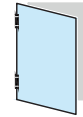
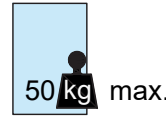
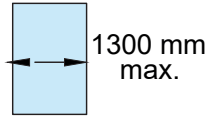
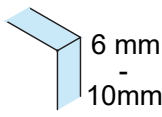


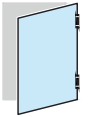
Glass Door Hinge - Offset Wall Mount



Ausführung:
Options:



DIN left
+
DIN right



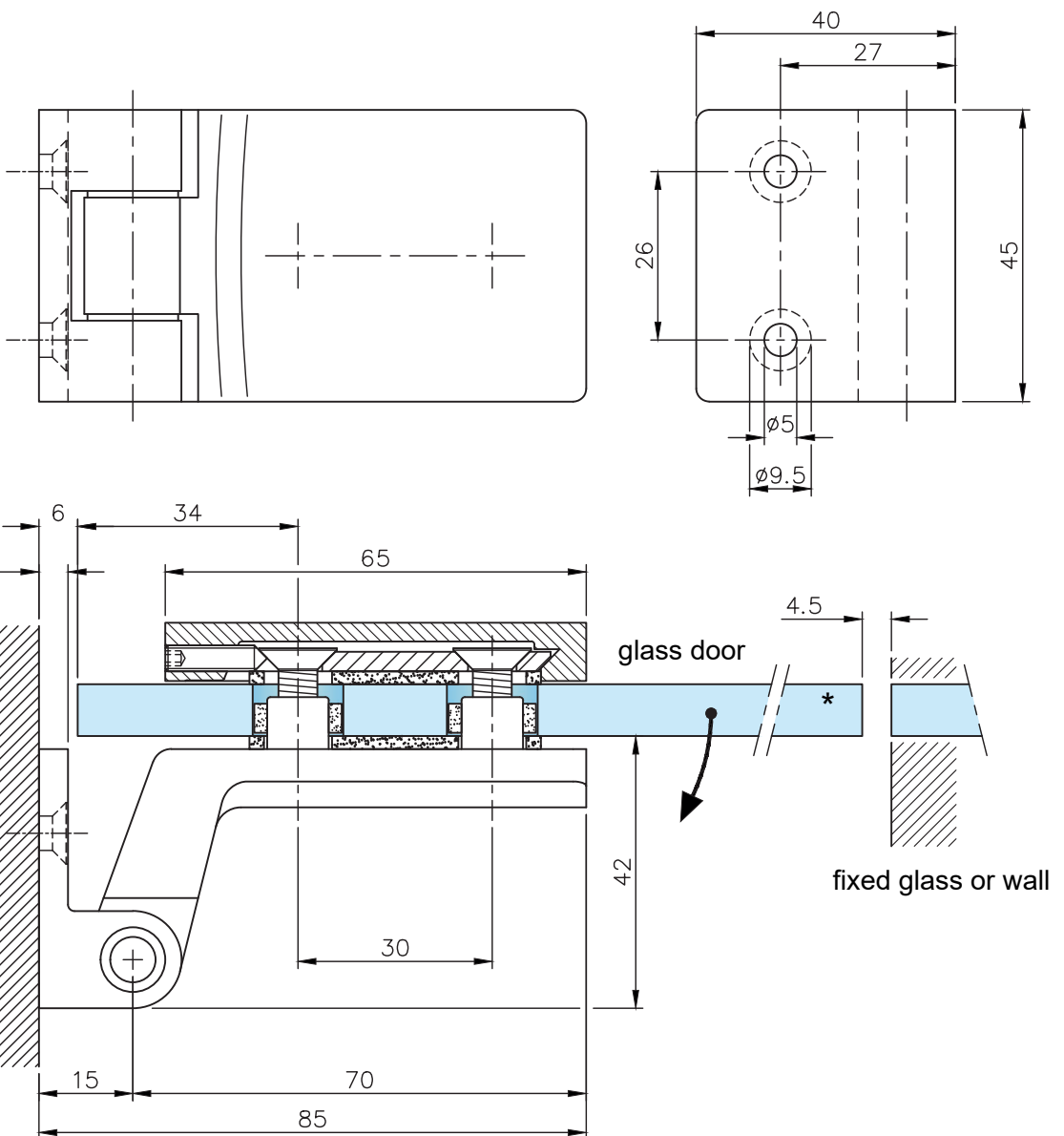
Material: Stainless steel AISI 304

Weight: 0,546 kg

Finish: Stainless steel design
41.0503.090.12

Chrome design
41.0503.090.10

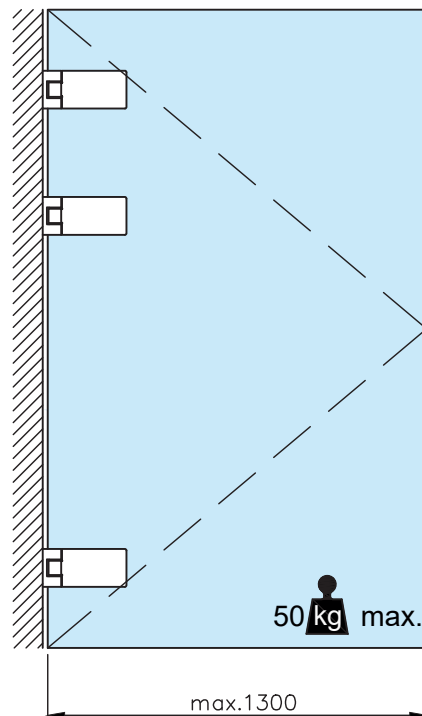
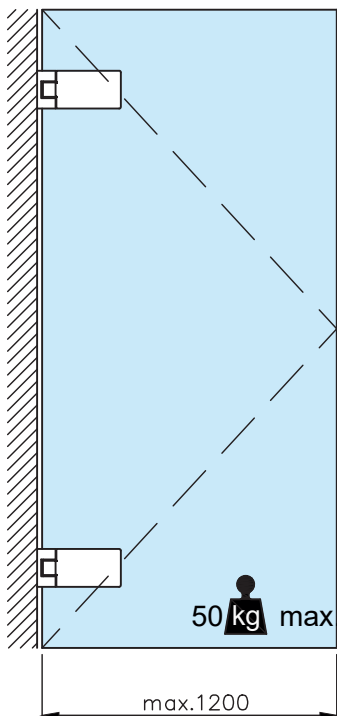
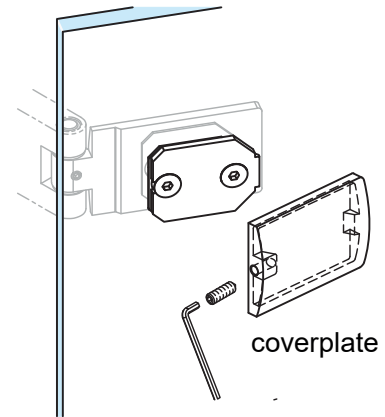
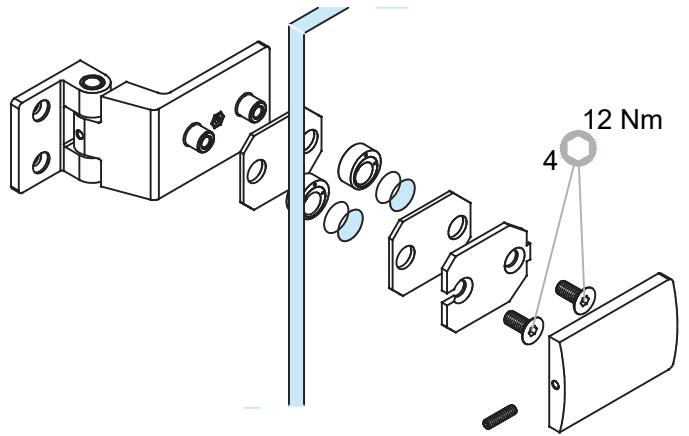
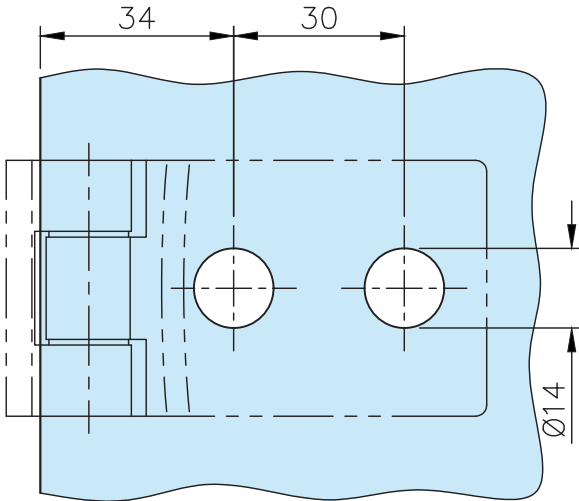
Anthracite black design
41.0503.090.26



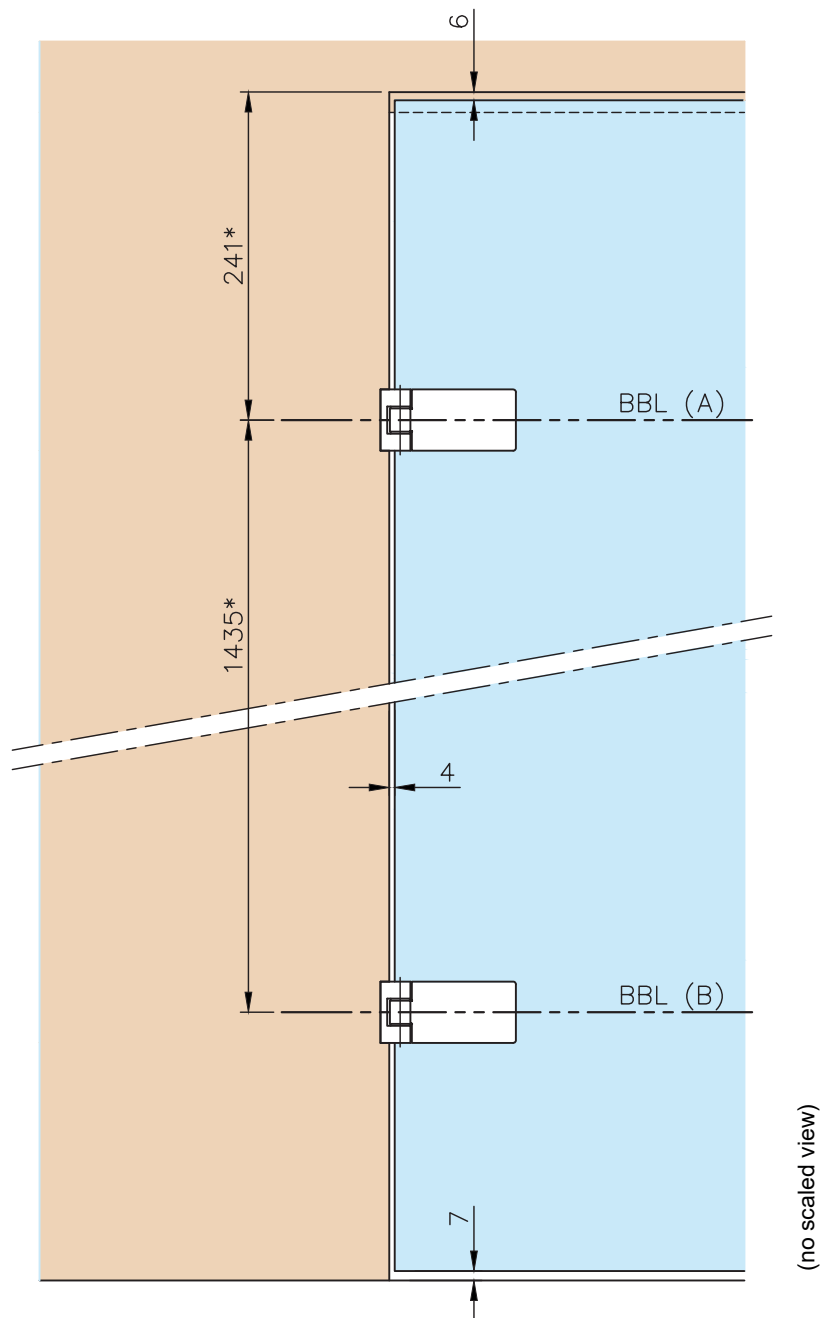
* drawing shows
8mm glass

Glass Door Hinge - Offset Wall Mount

Glass preparation:



Glass Door Hinge - Offset Wall Mount



Recommended dimensions according to *DIN 18268		
Glass door height	distance frame rebate - BBL(A)	distance BBL(A) - BBL(B)
1860 mm - 2110 mm	241 +1 mm	1435 mm ±0,5 mm
2111 mm - 2235 mm	241 +1 mm	1560 mm ±0,5 mm
2236 mm - 2360 mm	241 +1 mm	1685 mm ±0,5 mm