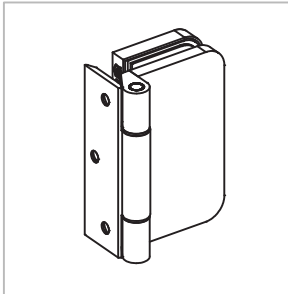
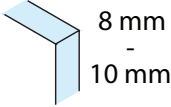
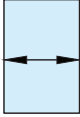

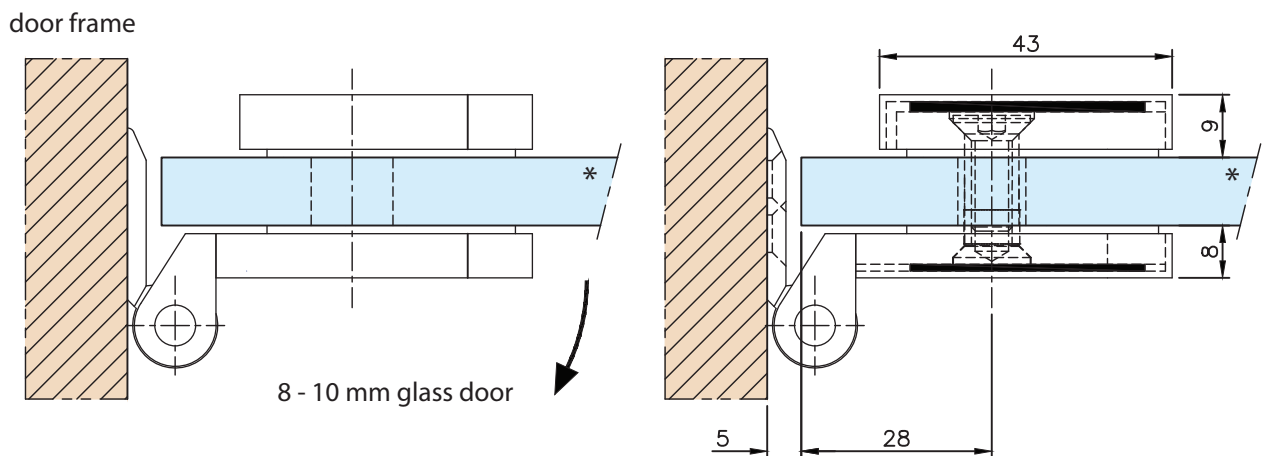
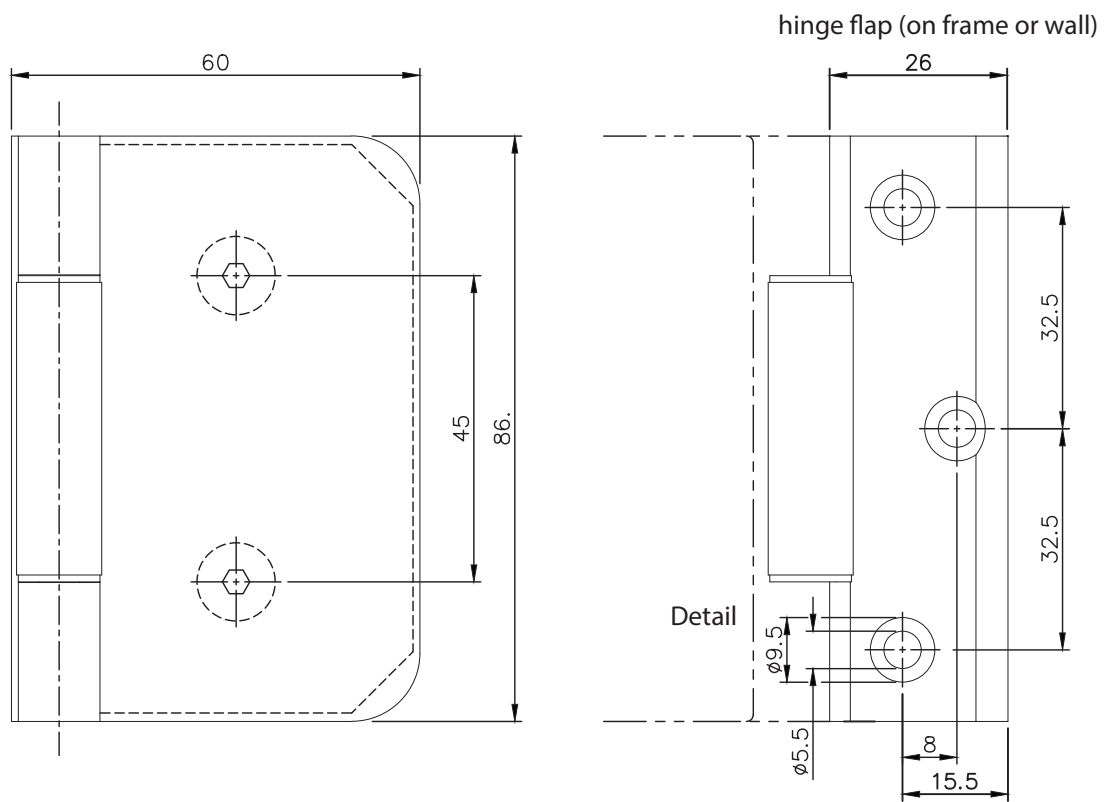


## Glass Door Hinge - Rounded Corner

Stainless Steel Design  
Silver Matt Anodised Finish  
Anthracite Finish



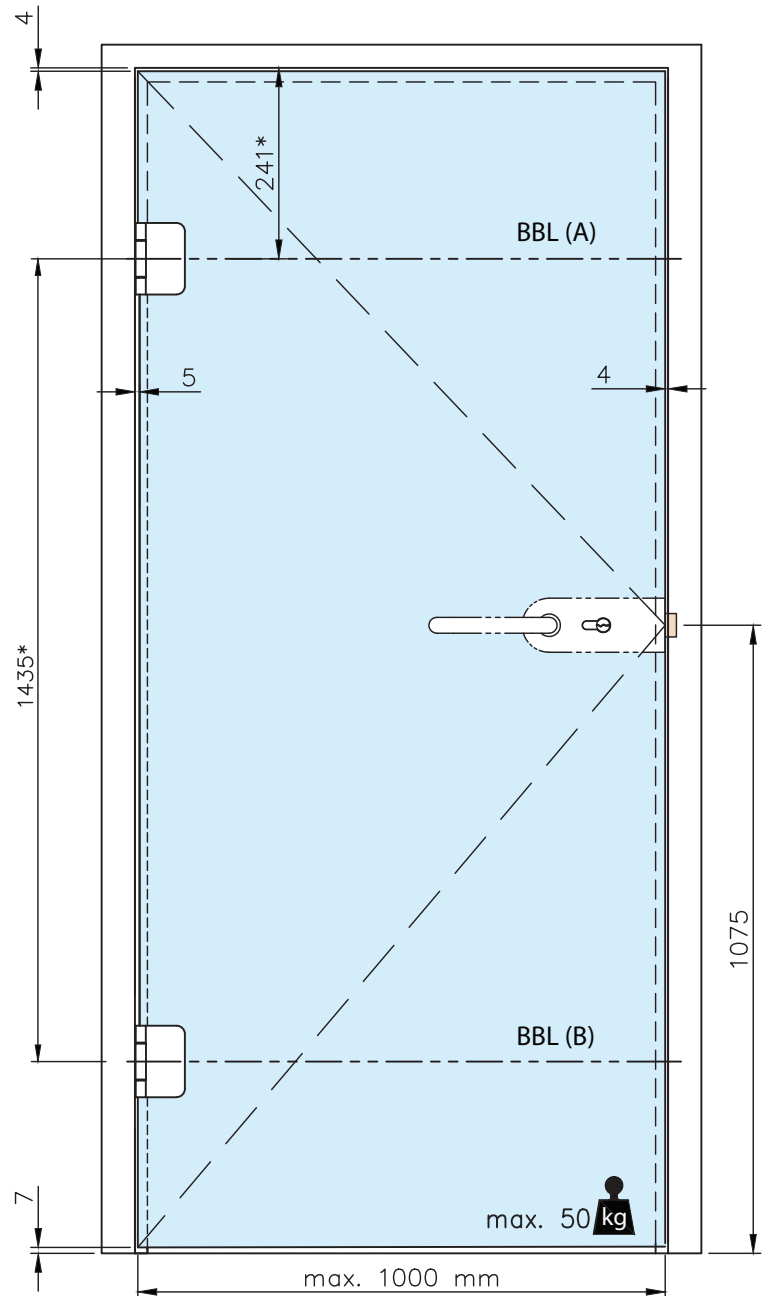
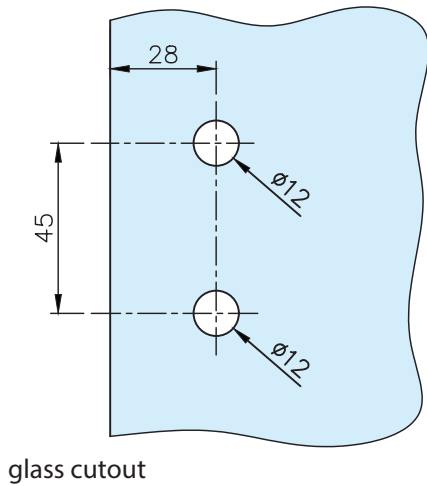
Options:	 8 mm - 10 mm	 1000 mm max.	 50 kg max.
Material:	Stainless steel AISI 304	Weight:	0,225 kg
Finish:	Stainless steel design	Anthracite design	silver matt anodized



\* drawing shows 10 mm glass

## Glass Door Hinge - Rounded Corner

Stainless Steel Design  
Silver Matt Anodised Finish  
Anthracite Finish



Empfehlungsmaße entsprechend *DIN 18268		
Glass door height	distance frame rebate - BBL(A)	distance BBL(A) - BBL(B)
1860 mm - 2110 mm	241 +1 mm	1435 mm ±0,5 mm
2111 mm - 2235 mm	241 +1 mm	1560 mm ±0,5 mm
2236 mm - 2360 mm	241 +1 mm	1685 mm ±0,5 mm

## Glass Door Hinge - Rounded Corner

Stainless Steel Design  
Silver Matt Anodised Finish  
Anthracite Finish

