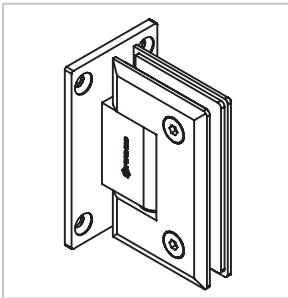
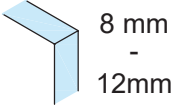
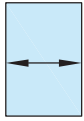

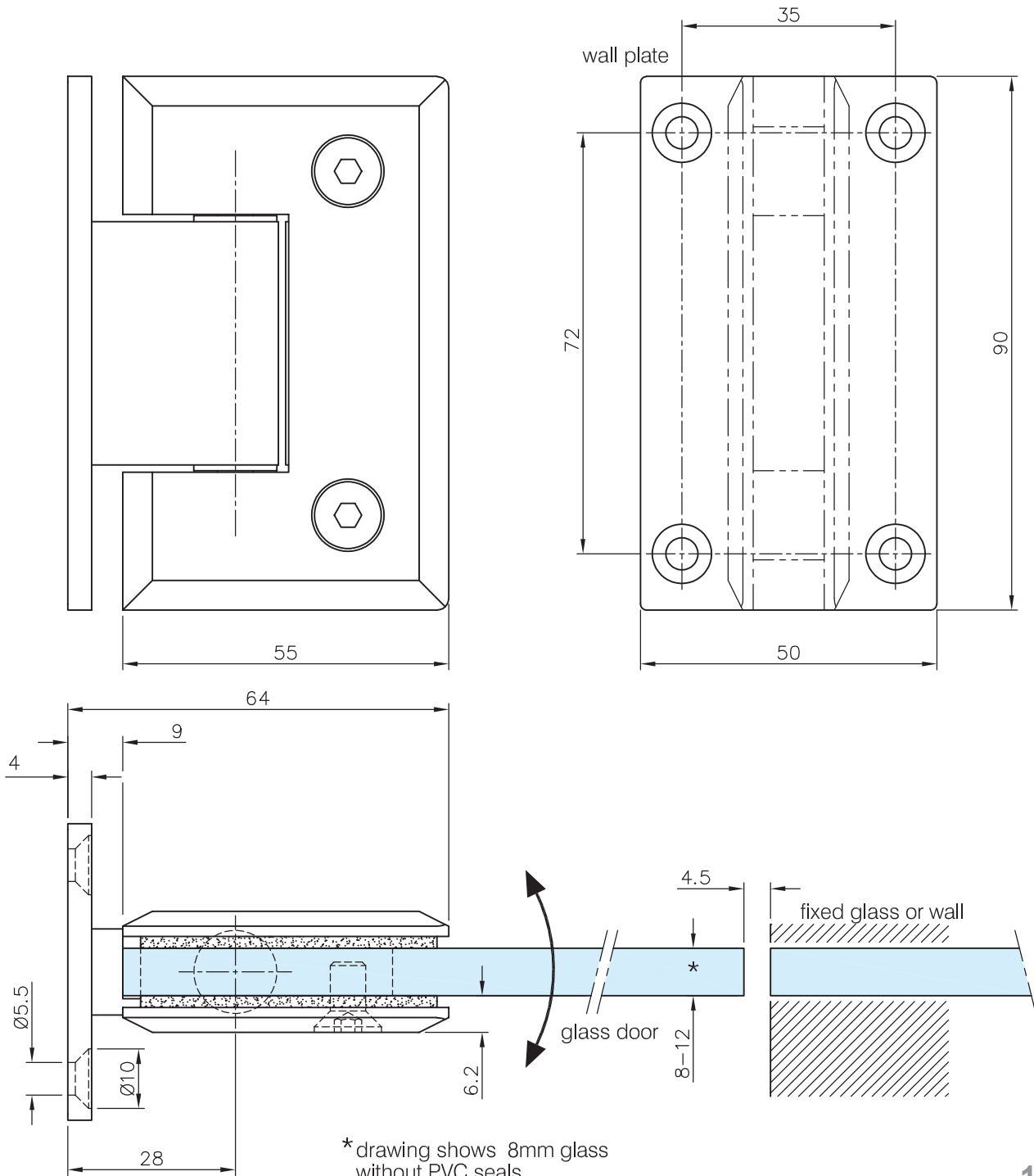


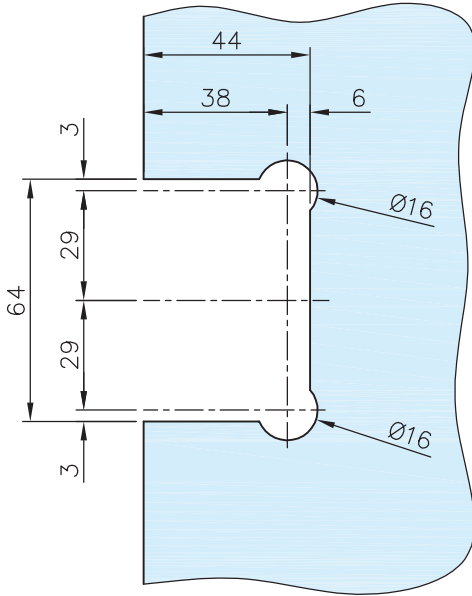
Glass Door Hinge - Glass/Wall Fixing



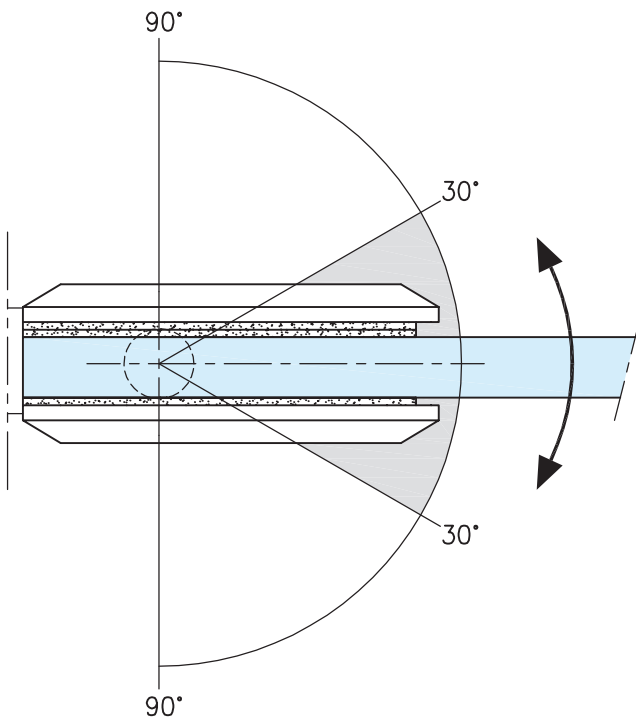
| | | | |
|-----------|---|---|--|
| Options: |  8 mm - 12mm |  900 mm max. |  45 kg max. |
| Material: | Stainless steel AISI 304 | Weight: | 0,6 kg |
| Finish: | Stainless steel design 41.3012.090.12 | Chrome design 41.3012.090.10 | |



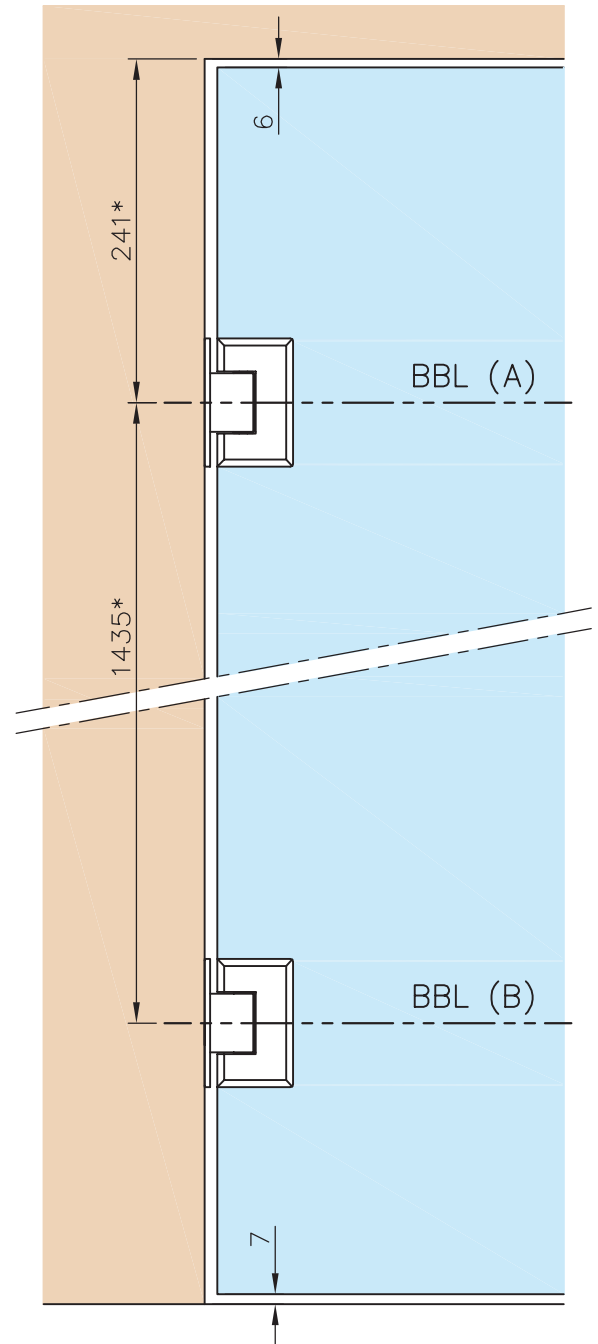
Glass Door Hinge - Glass/Wall Fixing



glass cutout



automatic closing action from 30°



| Recommended dimensions according to *DIN 18268 | | |
|--|--------------------------------|--------------------------|
| Glass door height | distance frame rebate - BBL(A) | distance BBL(A) - BBL(B) |
| 1860 mm - 2110 mm | 241 +1 mm | 1435 mm $\pm 0,5$ mm |
| 2111 mm - 2235 mm | 241 +1 mm | 1560 mm $\pm 0,5$ mm |
| 2236 mm - 2360 mm | 241 +1 mm | 1685 mm $\pm 0,5$ mm |

Glass Door Hinge - Glass/Wall Fixing

Width/extension:

max. load weights and door width

